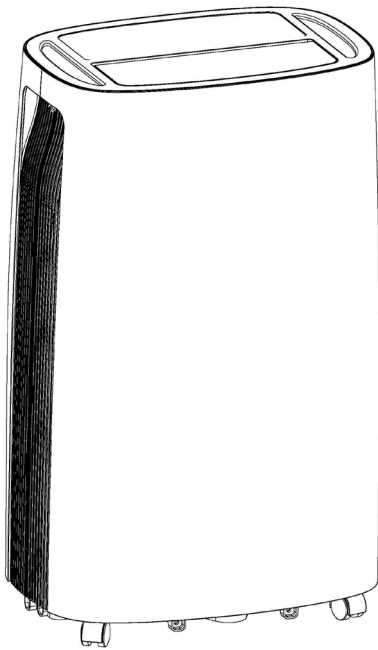


TÖYÖTÖMI

Japan







TD-C1416
TD-C1420

DEHUMIDIFIER
DÉSHUMIDIFICATEUR D’AIR
LUFTENTFEUCHTER
LUCHTONTVOCHTIGER
DEUMIDIFICATORE
DESHUMIDIFICADOR
DESUMIDIFICADOR
AFFUGTER
LUFTAVFUKTARE
OSUSZACZ

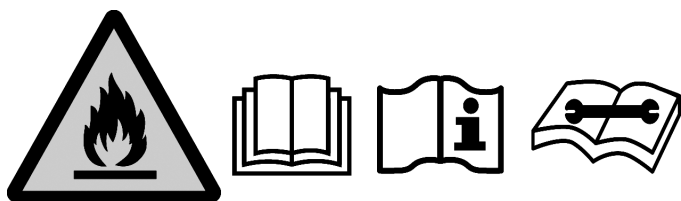
OPERATING MANUAL	ENGLISH	P. 1
MANUAL D’UTILISATION	FRANÇAIS	P. 9
BEDIENUNGSANLEITUNG	DEUTSCH	P.17
GEBRUIKSAANWIJZING	NEDERLANDS	P.25
MANUALE DI ISTRUZIONI	ITALIANO	P.33
MANUAL DE INSTRUCCIONES	ESPAÑOL	P.41
MANUAL DE INSTRUÇÕES	PORTUGUÊS	P.49
BETJENINGSVEJLEDNING	DANSK	P.57
BRUKSANVISNING	SVENSKA	P.65
INSTRUKCJA OBSŁUGI	POLSKI	P.73

EXPLANATION OF SYMBOLS

-  Appliance filled with flammable gas R290.
-  Before use the appliance, read the owner's manual first.
-  Before install the appliance, read the installation manual first.
-  Before repair the appliance, read the service manual first.

NOTICE

- Read this user manual carefully before using the appliance and keep it for future reference.
- Install this device only when it complies with local/national legislation, ordinances and standards.
- This product is intended to be used as a dehumidifier in residential houses and is only suitable for use in dry locations, in normal household conditions, indoors in living room, kitchen and garage.
- DO NOT place the dehumidifier in bathrooms or in other places where it is likely that water could be sprayed on.
- Always plug this product in a single phase electrical socket 220-240 V / ~50 Hz.
- Failing to follow the instructions may lead to nullification of the guarantee on this device.
- Follow strictly the manufacturer's instruction concerning use and repairs!



Caution, risk of fire, R290

SAFETY WARNINGS

When using the unit, please observe the following safety precautions:

1. Unplug the power supply cord before cleaning or storage.
2. The appliances can be used indoor but not in laundry rooms.
3. DO NOT set the unit close to heat-generating devices or near flammable and dangerous materials.
4. NEVER put your fingers or objects into the intake or discharge ducts.
5. DO NOT sit or stand on the unit.
6. Discard water that has collected in the tank as required.
7. DO NOT operate the dehumidifier in a closed area such as inside a closet, as it may cause a fire.
8. DO NOT sue the unit near edible items, objects of art, or scientific materials.
9. Install drain piping at a downhill grade to make sure that condensed water can be drained continuously.
10. If the power supply cord is damaged it must be replaced by the manufacture or a similarly qualified person in order to avoid a hazard.
11. The appliance must be positioned so that the plug is accessible.
12. Please keep a distance 20 cm around unit and the wall or other objects to ensure air circulation.
13. The appliance shall be installed in accordance with local national wire regulations.
14. The appliance cannot be used in public transportation.
15. This appliance can be used by children aged from 8 years and above and persons with reduced physical, sensory or mental capabilities or lack of experience and knowledge if they have been given supervision or instruction concerning use of the appliance in a safe way and understand the hazards in-

volved. Children shall not play with the appliance. Cleaning and user maintenance shall not be made by children without supervision.

16. Children should be supervised to ensure that they do not play with the appliance.
17. Appliances that are obviously damaged must not be operated.

WARNING

Specific information regarding appliances with R 290 refrigerant gas:

- Appliance is filled with flammable gas R290.
- R290 is a refrigerant gas that complies with the European directives on the environment. It is a natural refrigerant (propane), non-toxic and free of ozone-depleting properties, with a very low global warming potential (GWP = 3).
- DO NOT pierce any part of the refrigerant circuit.
- DO NOT use means to accelerate the defrosting process or to clean, other than those recommended by the manufacturer.
- The appliance shall be stored in a room without continuously operating ignition sources (for example: open flames, an operating gas appliance or an operating electric heater).
- DO NOT pierce or burn.
- Be aware that refrigerants may not contain an odour.
- Appliance shall be installed, operated and stored in a room with a floor area larger than 4 m².
- If the appliance is installed, operated or stored in a non-ventilated area, the room must be designed to prevent to the accumulation of refrigerant leaks resulting in a risk of fire or explosion due to ignition of the refrigerant caused by electric heaters, stoves, or other sources of ignition.
- The appliance shall be compliance with national gas regulations.

- Servicing shall be performed only as recommended by the manufacturer.
- The appliance shall be stored so as to prevent mechanical damage from occurring.
- Any person who is involved with working on or breaking into a refrigerant circuit should hold a current valid certificate from an industry-accredited assessment authority, which authorises their competence to handle refrigerants safely in accordance with an industry recognised assessment specification.
- Servicing shall only be performed as recommended by the equipment manufacturer. Maintenance and repair requiring the assistance of other skilled personnel shall be carried out under the supervision of the person competent in the use of flammable refrigerants.
- Any repairs you need, contact the nearest authorized Service Center and strictly follow manufacturer's instruction only.

WARNING FOR DISPOSAL

It is prohibited to dispose of this appliance in domestic household waste. For disposal there are several possibilities.

- 1 DO NOT dispose this product as unsorted municipal waste. Collection of such waste separately for special treatment is necessary.
- 2 The municipality has established collection systems, where electronic waste can be disposed of at least free of charge to the user.
- 3 The manufacturer will take back the old appliance for disposal at least free of charge to the user.
- 4 As old products contain valuable resources. They can be sold to scrap metal dealers.

Wild disposal of waste in forests and landscapes endangers your health when hazardous substances leak into the groundwater and find their way into the food chain.

Meaning of crossed out wheeled dustbin. DO NOT dispose of electrical appliances as unsorted municipal waste, use separate collection facilities. Contact you local government for information regarding the collection systems available. If electrical appliances are disposed of in landfills or dumps. Hazardous substances can leak into the groundwater and get into the foodchain, damaging your health and well-being.



This marking indicates that this product should not be disposed with other household wastes throughout the EU. To prevent possible harm to the environment or human health from uncontrolled waste disposal, recycle it responsibly to promote the sustainable reuse of material resources. To return your used device, please use the return and collection systems or contact the retailer where the product was purchased. They can take this product for environmental safe recycling. R290: 3

GENERAL

To obtain optimum performance from your dehumidifier, ensure that all windows are closed in order to achieve maximum efficiency.

The capacity of the dehumidifier depends on the temperature and the humidity in the room, at lower temperatures less moisture will be removed.

FEATURES

Powerful Dehumidifying Capability

Taking advantage of refrigeration technology, the dehumidifier powerfully removes moisture from the air to decrease the humidity level of the room and keep the indoor air dry and comfortable.

Lightweight Portable Design

The dehumidifier is built to be compact and lightweight. The casters on the bottom of the unit make it easy to move from room to room.

Low Temperature Operation with Automatic Defrost

When the unit is running in a room temp. between 7°C and 12°C, it will be stop to defrost for every 30 minutes.

When the unit is running in a room temp between 12°C and 20°C, it will be stop to defrost for every 45 minutes.

Adjustable Humidistat

Adjust the desired humidity level by the humidistat.

Timer On / Off

Program the unit to turn on and off automatically.

Quiet Operation

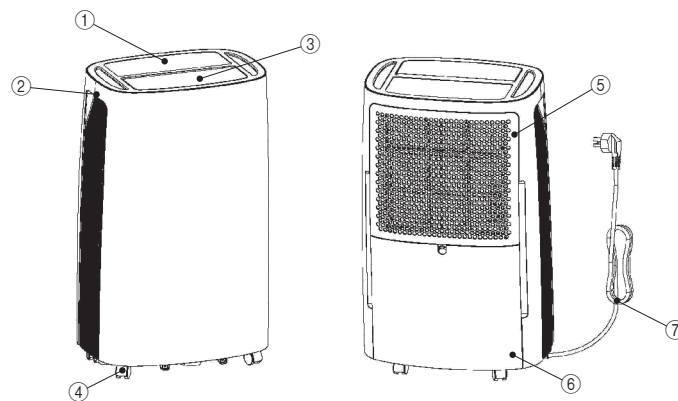
The dehumidifier operates with a low noise level.

Energy Efficient

The power consumption of the unit is low.

1. DESCRIPTION

PARTS



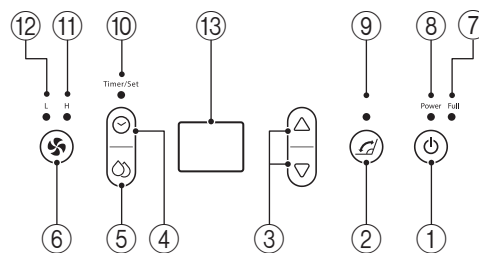
- | | | |
|------------------|---------------|-------------------|
| 1. Control Panel | 2. Handle | 3. Wind deflector |
| 4. Caster | 5. Filter box | 6. Water tank |
| 7. Supply code | | |

OPTIONAL



1. Drainage hose

OPERATION PANEL



- | | |
|----------------------|---------------------|
| 1. Power button | 2. Swing button |
| 3. Adjustment button | 4. Timer button |
| 5. Setting button | 6. Fan speed button |
| 7. Water full lamp | 8. Power lamp |
| 9. Swing lamp | 10. Timer/Set lamp |
| 11. High-fan lamp | 12. Low-fan lamp |
| 13. Indication panel | |

2. OPERATION

Humidity Level & Timer 2 digit display





The indicator features 3 functions:

- When the unit is turned on, it will indicate the room humidity level.
- When you set the humidity, it will indicate the humidity that you have selected.
- When you program the time for the unit to turn on and off, it will show the hours.
- When the environment humidity is lower than 35%, it will show "35".
- When the environment humidity is higher than 95%, it will show "95".

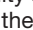
3. OPERATING INSTRUCTIONS

The Power indication light will turn on when the unit is plugged in, regardless of whether the unit is operating or not.


1. Turn on/off

Press  to start the unit, when the unit is stop; or press  to shutdown it, when the unit is operating.

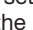
2. Humidity setting

Press the  key to enter humidity-setting state, then press Δ or ∇ to adjust the humidity from 40% to 80%, every setting is 5%, the LED flashing display when adjusting. Stop pressing for 5 seconds, it will return to normal display. The default value of humidity is 40%.


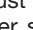
3. Fan-speed setting

Press  to set the fan speed to high or low, and the corresponding fan speed light will be lighted.

4. Swing setting

After the machine is started, press  to start or stop the air-outlet leaf's swing.

5. Time-setting

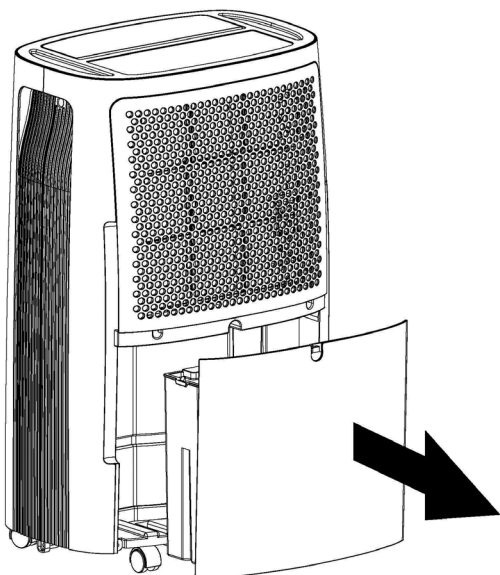
Press  to enter boot-time setting state when the unit is stop, then the LED will display the time, you may press Δ or ∇ button to adjust the automatic boot time from 1 to 24 hours. Press  to enter shutdown-time setting state when the unit is running, then the LED will display the time, you may press Δ or ∇ button to adjust the automatic shutdown time from 1 to 24 hours. The programmed time remains unchanged if the machine stops to work due to water full or during defrosting. Once turned on or off by user, the timer function will be canceled.

4. DRAINING THE COLLECTED WATER

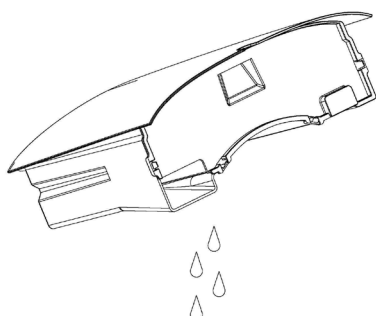
When the drainage tank is full, the tank full indicator light will turn on, the operation will stop automatically and the buzzer will beep 15 times to alert the user, that the water need to be emptied from the drainage tank.

5. EMPTYING THE DRAINAGE TANK

1. Lightly press on the sides of the tank with both hands and pull the tank out gently.

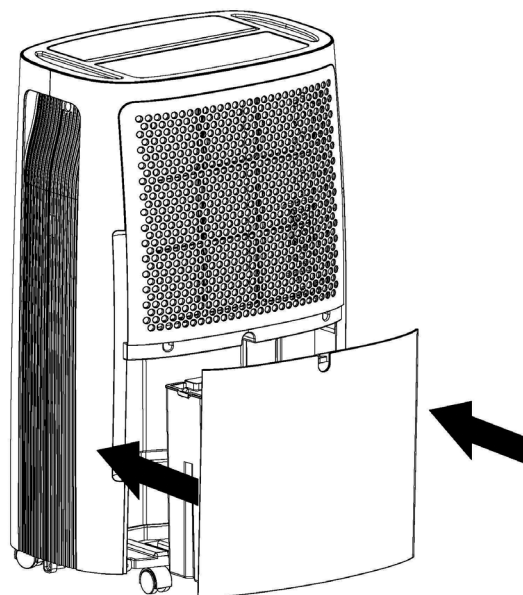


2. Discard the collected water.



NOTE

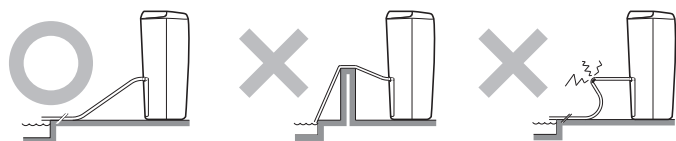
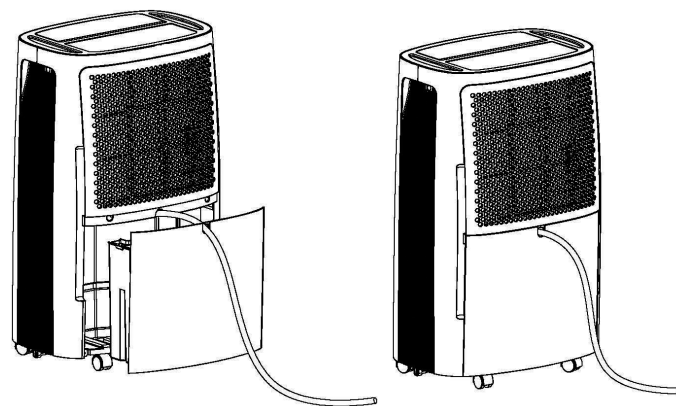
1. If the drainage tank is dirty, wash it with cold or lukewarm water. Do not use detergent, scouring pads, chemically treated dust cloths, gasoline, benzene, thinner, or other solvents, as these can scratch and damage the tank and cause water leakage.
2. When replacing the drainage tank, press the tank firmly into place with both hands. If the tank is not positioned properly, the "TANK FULL" sensor will be activated, and the dehumidifier will not operate.



6. CONTINUOUS WATER DRAINAGE

The unit features a continuous drainage port. Using a plastic pipe (with an inner diameter of 10 mm) inserts into drain hole (on intermediate plate), reach out from side of water tank, install it in place, and arrange the drain pipe.

The water in the drainage tank can be continuously drained out from the continuous port on the unit.



7. MAINTENANCE

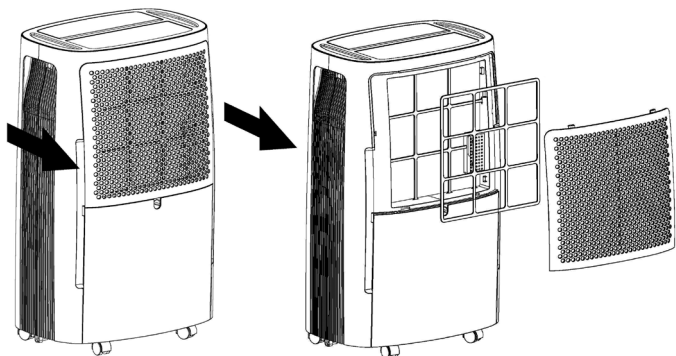
Cleaning the Dehumidifier

To Clean the Body

Wipe it with a soft damp cloth.

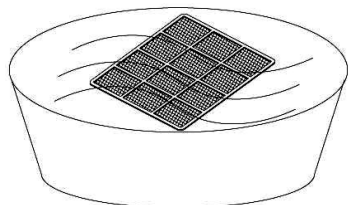
To Clean the Air Filter

1. Open the inlet grill firstly and remove the air filter.



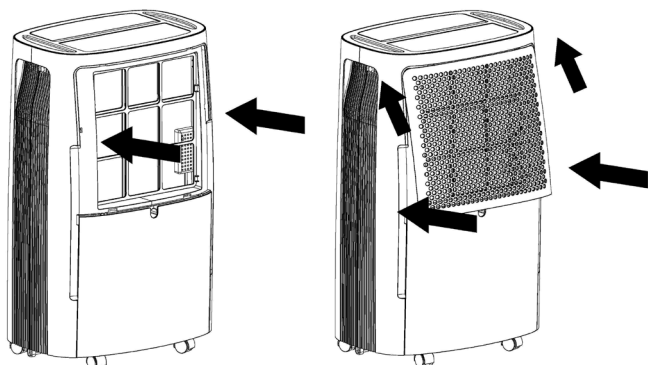
2. Clean the air filter

Run a vacuum cleaner lightly over the surface of the air filter to remove dirt. If the air filter is exceptionally dirty, wash it with warm water and a mild cleanser and dry thoroughly.



3. Attach the air filter

Insert the filter into the grill smoothly, and place the inlet grill into right place.



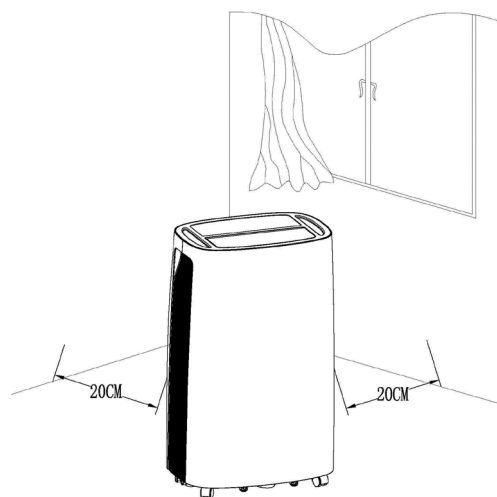
Storing the Dehumidifier

When the unit is not being used for a long period of time and you want to store it note the following steps:

1. Empty any water left in the drainage tank.
2. Fold up the power supply cord and put it in the water tank.
3. Clean the air filter.
4. Discard in a cool and dry place.

Clearance

Maintain the minimum clearance around the dehumidifier when the unit is operating as shown in the left drawing.



8. TROUBLESHOOTING

If a condition listed below occurs, please check the following items before calling customer service.

Problem	Possible Cause	Solution
The unit does not operate	Has the power cord been disconnected?	Plug the power cord into the outlet.
	Is the tank full indication lamp blinking? (The tank is full or in a wrong position.)	Empty the water in the drainage tank and then reposition the tank.
	Is the temperature of the room above 35°C or below 7°C?	The protection device is activated and the unit cannot be started.
The dehumidifying function does not work	Is the air filter clogged?	Clean the air filter as instructed under "Cleaning the dehumidifier".
	Is the intake duct or discharge duct obstructed?	Remove the obstruction from the discharge duct or intake duct.
No air is discharged	Is the air filter clogged?	Clean the air filter as instructed under "Cleaning the dehumidifier".
Operation is noisy	Is the unit tilted or unsteady?	Move the unit to a stable, sturdy location.
	Is the air filter clogged?	Clean the air filter as instructed under "Cleaning the dehumidifier".

9. NOTE FOR MAINTENANCE WORK

1. Checks to the area

Prior to beginning work on systems containing flammable refrigerants, safety checks are necessary to ensure that the risk of ignition is minimised. For repair to the refrigerating system, the following precautions shall be complied with prior to conducting work on the system.

Work procedure

Work shall be undertaken under a controlled procedure so as to minimise the risk of a flammable gas or vapour being present while the work is being performed.

2. General work area

All maintenance staff and others working in the local area shall be instructed on the nature of work being carried out. Work in confined spaces shall be avoided. The area around the workspace shall be sectioned off. Ensure that the conditions within the area have been made safe by control of flammable material.

3. Checking for presence of refrigerant

The area shall be checked with an appropriate refrigerant detector prior to and during work, to ensure the technician is aware of potentially flammable atmospheres. Ensure that the leak detection equipment being used is suitable for use with flammable refrigerant, i.e. nonsparking, adequately sealed or intrinsically safe.

4. Presence of fire extinguisher

If any hot work is to be conducted on the refrigeration equipment or any associated parts, appropriate fire extinguishing equipment shall be available to hand. Have a dry powder or CO₂ fire extinguisher adjacent to the charging area.

5. No ignition sources

No person carrying out work in relation to a refrigerant system which involves exposing any pipe work that contains or has contained flammable refrigerant shall use any sources of ignition in such a manner that it may lead to the risk of fire or explosion. All possible ignition sources, including cigarette smoking, should be kept sufficiently far away from the site of installation, repairing, removing and disposal, during which flammable refrigerant can possibly be released to the surrounding space. Prior to work taking place, the area around the equipment is to be surveyed to make sure that there are no flammable hazards or ignition risks. "No Smoking" signs shall be displayed.

6. Ventilated area

Ensure that the area is in the open or that it is adequately ventilated before breaking into the system or conducting any hot work. A degree of ventilation shall continue during the period that the work is carried out. The ventilation should safely disperse any released refrigerant and preferably expel it externally into the atmosphere.

7. Checks to the refrigeration equipment

Where electrical components are being changed, they shall be fit for the purpose and to the correct specification. At all times the manufacturer's maintenance and service guidelines shall be followed. If in doubt consult the manufacturer's technical department for assistance.

The following checks shall be applied to installations using flammable refrigerants:

- the charge size in accordance with the room size within which the refrigerant containing parts are installed;
- the ventilation machinery and outlets are operating adequately and are not obstructed.

8. Checks to electrical devices

Repair and maintenance to electrical components shall include initial safety checks and components inspection procedures. If a fault exists that could compromise safety, then no electrical supply shall be connected to the circuit until it is satisfactorily dealt with. If the fault cannot be corrected immediately but it is necessary to continue operation, an adequate temporary solution shall be used. This shall be reported to the owner of the equipment so all parties are advised.

Initial safety checks shall include:

- that capacitors are discharged: this shall be done in a safe manner to avoid possibility of sparking;
- that there no live electrical components and wiring are exposed while charging, recovering or purging the system;
- that there is continuity of earth bonding.

9. Repairs to sealed components

During repairs to sealed components, all electrical supplies shall be disconnected from the equipment being worked upon prior to any removal of sealed covers, etc.

If it is absolutely necessary to have an electrical supply to equipment during servicing, then a permanently operating form of leak detection shall be located at the most critical point to warn of a potentially hazardous situation.

Particular attention shall be paid to the following to ensure that by working on electrical components, the casing is not altered in such a way that the level of protection is affected. This shall include damage to cables, excessive number of connections, terminals not made to original specification, damage to seals, incorrect fitting of glands, etc.

Ensure that apparatus is mounted securely.

Ensure that seals or sealing materials have not degraded such that they no longer serve the purpose of preventing the ingress of flammable atmospheres. Replacement parts shall be in accordance with the manufacturer's specifications.

NOTE: The use of silicon sealant may inhibit the effectiveness of some types of leak detection equipment. Intrinsically safe components do not have to be isolated prior to working on them.

10. Repair to intrinsically safe components

Do not apply any permanent inductive or capacitance loads to the circuit without ensuring that this will not exceed the permissible voltage and current permitted for the equipment in use.

Intrinsically components are the only types that can be worked on while live in the presence of a flammable atmosphere. The test apparatus shall be at the correct rating.

Replace components only with parts specified by manufacturer. Other parts may result in the ignition of refrigerant in the atmosphere from a leak.

11. Cabling

Check that cabling will not be subject to wear, corrosion, excessive pressure, vibration, sharp edges or any other adverse environmental effects. The check shall also take into account the effects of aging or continual vibration from sources such as compressors or fans.

12. Leakage detection for flammable refrigerants

Under no circumstances shall potential sources of ignition be used in the searching for or detection of refrigerant leaks. A halide torch (or any other detector using a naked flame) shall not be used.

13. Leak detection methods

The following leak detection methods are acceptable for systems containing flammable refrigerant.

Electronic leak detectors shall be used to detect flammable refrigerants, but the sensitivity may not be adequate, or may need recalibration (Detection equipment shall be calibrated in a refrigerant-free area). Ensure that detector is not a potential source of ignition and is suitable for the refrigerant used.

Leak detection fluids are suitable for use with most refrigerants but the use of detergents containing chlorine shall be avoided as the chlorine may react with the refrigerant and corrode the copper pipe-work.

If a leak is suspected, all naked flames shall be removed/extinguished.

If a leak of refrigerant is found which requires brazing, all of the refrigerant shall be recovered from the system. Oxygen free nitrogen (OFN) shall then be purged through the system both before and during the brazing process.

14. Removal and evacuation

When breaking into the refrigerant circuit to make repairs-or for any other purpose-conventional procedures shall be used. However, it is important that best practice is followed since Flammability is a consideration. The following procedure shall be adhered to:

Remove refrigerant;

Purge the circuit with inert gas;

Evacuate;

Purge again with inert gas;

Open the circuit by cutting or brazing.

The refrigerant charge shall be recovered into the correct recovery cylinders. The system shall be "flushed" with OFN to render the unit safe. This process may need to be repeated

several times. Compressed air or oxygen shall not be used for this task.

Flushing shall be achieved by breaking the vacuum in the system with OFN and continuing to fill until the working pressure is achieved, then venting to atmosphere, and finally pulling down to a vacuum. This process shall be repeated until no refrigerant is within the system. When the final OFN charge is used, the system shall be vented down to atmospheric pressure to enable work to take place.

This operation is absolutely vital if brazing operations on the pipe-work are to take place. Ensure that the outlet for the vacuum pump is not close to any ignition sources and there is ventilation available.

15. Refrigerant Charging procedures

In addition to conventional charging procedures, the following requirements shall be followed.

- Ensure that contamination of different refrigerants does not occur when using charging equipment. Hoses or lines shall be as short as possible to minimise the amount of refrigerant contained in them.
 - Cylinders shall be kept upright.
 - Ensure that the refrigeration system is earthed prior to charging the system with refrigerant.
 - Label the system when charging is complete (if not already).
 - Extreme care shall be taken not to overfill the refrigeration system.
- Prior to recharging the system it shall be pressure tested with OFN. The system shall be leak tested on completion of charging but prior commissioning. A follow up leak test shall be carried out prior to leaving the site.

16. Decommissioning

Before carrying out this procedure, it is essential that technician is completely familiar with the equipment and all its detail. It is recommended good practice that all refrigerants are recovered safely. Prior to the task being carried out, an oil and refrigerant sample shall be taken in case analysis is required prior to reuse of reclaimed refrigerant. It is essential that electrical power is available before the task is commenced.

Become familiar with the equipment and its operation.

- a) Isolate system electrically.
- b) Before attempting the procedure ensure that: mechanical handling equipment is available, if repaired, for handling refrigerant cylinders; all personal protective equipment is available and being used correctly; the recovery process is supervised at all times by a competent person; recovery equipment and cylinders conform to the appropriate standards.
- c) Pump down refrigerant system, if possible.
- d) If a vacuum is not possible, make a manifold so that refrigerant can be removed from various parts of the system.
- e) Make sure that cylinder is situated on the scales before recovery takes place.
- f) Start the recovery machine and operate in accordance with manufacturer's instructions.
- g) Do not overfill cylinders (No more than 80% volume liquid charge).
- h) Do not exceed the maximum working pressure of the cylinder, even temporarily.
- i) When the cylinders have been filled correctly and the process completed, make sure that the cylinders and the equipment are removed from site promptly and all isolation valves on the equipment are closed off.
- j) Recovered refrigerant shall not be charged into another refrigeration system unless it has been cleaned and checked.

17. Labeling

Equipment shall be labeled stating that it has been decommissioned and emptied of refrigerant. The label shall be dated and signed. Ensure that there are labels on the equipment stating the equipment contains flammable refrigerant.

18. Recovery

When removing refrigerant from a system, either for servicing or decommissioning, it is recommended good practice that all refrigerants are removed safely.

When transferring refrigerant into cylinders, ensure that only appropriate refrigerant recovery cylinders are employed. Ensure that the correct number of cylinders for holding the total

system charge are available. All cylinders to be used are designed for the recovered refrigerant and labeled for that refrigerant (i.e. special cylinders for the recovery of refrigerant). Cylinders shall be complete with pressure relief valve and associated shut-off valves in good working order. Empty recovery cylinders are evacuated and, if possible, cooled before recovery occurs.

The recovery equipment shall be in good working order with a set of instructions concerning the equipment that is at hand and shall be suitable for the recovery of flammable refrigerants.

In addition, a set of calibrated weighing scales shall be available and in good work order. Hoses shall be complete with leak-free disconnect couplings and in good condition.

Before using the recovery machine, check that it is in satisfactory working order, has been properly maintained and that any associated electrical components are sealed to prevent ignition in the event of a refrigerant release. Consult manufacturer if in doubt.

The recovered refrigerant shall be returned to the refrigerant supplier in the correct recovery cylinder, and the relevant Waste Transfer Note arranged. Do not mix refrigerants in recovery units and especially not in cylinders.

If compressors or compressor oils are to be removed, ensure that they have been evacuated to an acceptable level to make certain that flammable refrigerant does not remain within the lubricant. The evacuation process shall be carried out prior to returning the compressor to the suppliers. Only electric heating to the compressor body shall be employed to accelerate this process. When oil is drained from a system, it shall be carried out safely.

19. Transport of equipment containing flammable refrigerants

Determined by local regulations.

20. Discarded appliances supplies flammable refrigerants

See National Regulations.

21. Storage package (unsold) equipment

Storage package protection should be constructed such that mechanical damage to the equipment inside the package will not cause a leak of the refrigerant charge.

The maximum number of pieces of equipment permitted to be stored together will be determined by local regulations.

10. SPECIFICATIONS

Model	TD-C 1416	TD-C 1420
Capacity	16 L/D (30°C, 80% RH)	20 L/D (30°C, 80% RH)
Power Supply	220-240 V ~ / 50 Hz	220-240 V ~ / 50 Hz
Power Consumption	260 W	325 W
Operating Range	7°C - 35°C	7°C - 35°C
Refrigerant	R290 (75g)	R290 (90g)
GWP	3	3
Weight	12 kg	14 kg
Pressure (high / low)	1.8 / 0.6 Mpa	1.8 / 0.6 Mpa
Pressure (max)	3.00 Mpa	3.00 Mpa
Unit Protection	IPX0	IPX0

The dehumidification capacity is rated at a room temperature of **30°C with a relative humidity of 80%**.

If specifications are improved after this pointing, the product nameplate will reflect the new specifications.

The operational temperature is in the range of 7°C to 35°C and max relative humidity of 80%. If the room temperature is outside of this range, the unit will not operate normally. GWP value of R290 refrigerant is 3.

LIMITED WARRANTY

TOYOTOMI CO., LTD. ("TOYOTOMI") warrants each product and any parts thereof sold by it to be free from defects in materials or workmanship under normal use and service for TWENTY FOUR (24) MONTHS from the date of delivery to the original purchaser at retail subject to the following terms and conditions:

WHAT IS COVERED: Product or any parts thereof which are defective in materials or workmanship.

WHAT IS NOT COVERED:

This warranty does not extend to any defect due to the negligence of others; failure to install, operate or maintain unit in accordance with instructions (operating and maintenance instructions are furnished with each new unit); unreasonable use, accidents, alteration, use of unauthorized or non-standardized TOYOTOMI parts and accessories; electrical malfunction, i.e., as resulting from large power surges, short circuit, etc.; incorrect installation; or repair by anyone other than a service facility specified by TOYOTOMI.

WHO IS COVERED: The original purchaser at retail.

WHAT WE WILL DO: TOYOTOMI will either repair or replace, at its opinion, all defective parts free of charge that are covered by this limited warranty on a carry-in basis, to your nearest authorized dealer or distributor of TOYOTOMI.

WHAT YOU MUST DO FOR WARRANTY SERVICE: You must return the defective Product or part to any authorized dealer or distributor of TOYOTOMI with this LIMITED WARRANTY. If service is not available locally, please contact our CUSTOMER RELATIONS DEPARTMENT at:

TOYOTOMI EUROPE SALES B.V.

E-MAIL: info@toyotomi.eu

INTERNET: www.toyotomi.eu

THE FOREGOING EXPRESS ALL OF TOYOTOMI'S OBLIGATIONS AND LIABILITIES WITH RESPECT TO THE QUALITY OF PRODUCT FURNISHED BY IT. ALL OTHER WARRANTIES, EXPRESSED OR IMPLIED, INCLUDING THE WARRANTIES OF MERCHANTABILITY OR FITNESS FOR A PARTICULAR PURPOSE ARE DISCLAIMED. TOYOTOMI SHALL NOT BE LIABLE FOR THE LOSS OF USE OF THE PRODUCT, INCONVENIENCE, LOSS OR ANY OTHER DAMAGES, DIRECT OR CONSEQUENTIAL ARISING OUT OF, THE USE OF, OR INABILITY TO USE, THE PRODUCT OR DAMAGES RESULTING FROM OR ATTRIBUTABLE TO DEFECTS IN THE PRODUCT.

No other than TOYOTOMI has authority to extend or modify the terms of this Limited Warranty in any manner whatsoever.

Some states do not allow the exclusion or limitation of incidental or consequential damages or limitations on how long an implied warranty lasts, so these limitations or exclusions may not apply to you. This Limited Warranty gives you specific legal rights and you may also have other rights which vary from state to state.

EXPLICATION DES SYMBOLES



L'appareil est rempli de gaz inflammable R290.



Lire le manuel de l'utilisateur avant d'utiliser l'appareil.



Lire le manuel d'utilisation avant d'utiliser l'appareil.



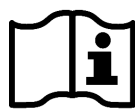
Lire le manuel d'utilisation avant d'entretien l'appareil.

NOTICE

- Lire soigneusement ce manuel d'utilisation avant d'utiliser l'appareil et le conserver pour référence.
- N'installer cet appareil que s'il est conforme aux lois, ordonnances et standards locaux / nationaux.
- Ce produit est conçu pour être utilisé comme déshumidificateur dans des résidences privées et ne peut être utilisé que dans des endroits secs, en intérieur, dans une salle de séjour, une cuisine, un garage.
- NE PAS placer le déshumidificateur dans des salles de bain ou dans d'autres endroits dans lesquels des projections d'eau sont possibles.
- Toujours brancher ce produit dans une prise électrique monophasée de 220-240 V / ~50 Hz.
- Ne pas observer les instructions doit entraîner la caducité de la garantie pour cet appareil.
- Observer strictement les instructions du fabricant concernant l'utilisation et les réparations !



Caution, risk of fire, R290



MISES EN GARDE DE SÉCURITÉ

Lorsque vous utilisez l'unité, observez les précautions de sécurité suivantes :

1. Débrancher le câble d'alimentation avant le nettoyage ou le stockage.
2. Les appareils peuvent être utilisés en intérieur, mais pas dans les buanderies.
3. NE PAS placer l'unité à proximité d'appareils produisant de la chaleur ou de matériaux inflammables et dangereux.
4. E JAMAIS mettre les doigts ou des objets dans les conduites d'admission ou d'évacuation.
5. NE vous asseyez PAS ou ne restez pas debout sur l'unité.
6. Jetez l'eau ayant été recueillie dans le réservoir dans la mesure nécessaire.
7. NE PAS utiliser le déshumidificateur dans un endroit fermé, par exemple à l'intérieur d'un cabinet parce que cela pourrait provoquer un incendie.
8. NE PAS placer l'unité à proximité de denrées alimentaires, d'objets d'art ou de matériel scientifique.
9. Poser des tuyaux de vidange avec une inclinaison descendante pour être sûr que l'eau de condensation peut être continuellement évacuée.
10. Si le câble d'alimentation est endommagé, il doit être remplacé par le fabricant ou par une personne qualifiée afin de prévenir tout danger.
11. L'appareil doit être disposé de sorte que la prise soit accessible.
12. Veuillez maintenir une distance de 20 cm entre l'unité et la paroi ou les autres objets pour assurer la circulation de l'air.
13. L'appareil sera installé conformément aux réglementations nationales relatives au câble.
14. L'appareil ne peut pas être utilisé dans les transports publics.
15. Cet appareil peut être utilisé par des

enfants âgés de 8 ans et plus, ainsi que par des personnes à mobilité réduite, ayant des retards sensoriels ou mentaux, ou des personnes manquant d'expérience ou de connaissances, si elles ont été supervisées et instruites à l'utilisation de cet appareil en toute sécurité, et qu'elles comprennent les dangers potentiels. Les enfants ne doivent pas jouer avec cet appareil. Le nettoyage et l'entretien de cet appareil ne doivent pas être effectués par des enfants, sans supervision.

16. Les enfants doivent être surveillés, afin de s'assurer qu'ils ne jouent pas avec l'appareil.

17. Les appareils manifestement endommagés ne doivent pas être utilisés.

AVERTISSEMENT

Informations particulières concernant les appareils avec le gaz réfrigérant R290:

- L'appareil est rempli de gaz inflammable R290.
- Le R290 est un gaz réfrigérant conforme aux directives européennes relatives à l'environnement. Il s'agit d'un réfrigérant naturel (propane) non toxique et sans propriétés d'appauvrissement en ozone, avec un très faible potentiel de réchauffement global (PRG = 3).
- NE percer le circuit de réfrigérant en aucune de ses parties.
- NE PAS utiliser de moyens particuliers pour accélérer le dégivrage ou le nettoyage à part ceux recommandés par le fabricant.
- L'appareil devra être placé dans une pièce excluant l'utilisation constante de sources d'ignition (par exemple : flammes nues, appareil fonctionnant au gaz ou appareil électrique de chauffage).
- NE PAS percer ou brûler.
- Sachez que les réfrigérants ne peuvent pas contenir d'odeur.

- L'appareil doit être installé, opéré et stocké dans une pièce avec une surface au sol supérieure à 4 m².
- Si l'appareil est installé, utilisé ou stocké dans un endroit sans ventilation, la pièce doit être conçue de façon à prévenir l'accumulation de fuites de réfrigérant qui comporterait un risque d'incendie ou d'explosion en raison de l'inflammation du réfrigérant provoquée par les appareils de chauffage électrique, les réchauds ou d'autres sources d'allumage.
- Cet appareil doit être conforme à la réglementation nationale relative au gaz.
- Toute intervention ne sera exécutée que sur recommandation du fabricant.
- L'appareil sera stocké de façon à prévenir la survenue de tout dommage.
- Toute personne impliquée dans l'opération ou s'introduisant dans un circuit réfrigérant doit être détenteur d'un certificat en cours de validité délivré par un organisme avec une accréditation sectorielle reconnaissant la compétence de la personne en question à manipuler les réfrigérants en toute sécurité avec mention d'évaluation reconnue par l'industrie.
- Toute intervention ne sera exécutée que sur recommandation du fabricant de l'équipement. Tout entretien ou toute réparation requérant l'assistance d'autres membres compétents du personnel sera exécutée sous la supervision de la personne ayant les compétences pour utiliser les réfrigérants inflammables.
- Pour toutes les réparations dont vous avez besoin, veuillez contacter le Centre d'intervention agréé le plus proche et suivre strictement les consignes du fabricant.

AVERTISSEMENT POUR LA MISE AU REBUT

Il est interdit de jeter cet appareil avec les déchets ménagers domestiques. Plusieurs alternatives sont possibles pour la mise au rebut.

- 1 NE PAS jeter ce produit parmi les déchets municipaux non triés. La collecte séparée des déchets est nécessaire pour permettre le traitement spécial.
- 2 La municipalité a établi des systèmes de collecte dans lesquels les déchets électroniques peuvent être jetés gratuitement pour l'utilisateur.
- 3 Le fabricant reprendra les anciens appareils pour les mettre au rebut sans frais pour l'utilisateur.
- 4 Les produits utilisés contenant des ressources appréciables, ils peuvent être vendus à des vendeurs de déchets métalliques.

L'élimination illégale de déchets dans les forêts ou les champs peut compromettre votre santé en cas de fuites de substances dangereuses dans les eaux souterraines et trouvent un chemin dans la chaîne alimentaire. Signification de la poubelle à roue barrée. NE PAS jeter les appareils électriques parmi les déchets municipaux non triés. Contacter les autorités publiques locales pour en savoir plus sur les systèmes de collecte disponibles. Si des appareils électriques sont jetés dans des décharges, des substances dangereuses peuvent s'infiltrer dans les eaux souterraines et rentrer dans la chaîne alimentaire, endommageant votre santé et votre bien-être.



Cette marque indique que ce produit ne doit pas être jeté avec les autres déchets ménagers dans l'ensemble de l'UE. Pour prévenir tout dommage possible à l'environnement ou à la santé humaine du fait de la mise au rebut incontrôlée de déchets, exécuter un recyclage responsable afin de promouvoir la réutilisation durable des ressources matérielles. Pour

retourner votre dispositif usé, veuillez utiliser les systèmes de retour et de collecte ou contacter le distributeur chez qui le produit a été acheté. Celui-ci peut porter ce produit dans un lieu de recyclage écologiquement sûr.

R290 : 3

GÉNÉRALITÉS

Pour tirer des performances optimales du déshumidificateur, s'assurer que toutes les fenêtres sont fermées de sorte à garantir un rendement maximal.

La capacité du déshumidificateur dépend de la température et de l'humidité dans la pièce : à des températures plus basses, moins d'humidité est éliminée.

FONCTIONNALITÉS

Puissantes capacités de déshumidification

Exploitant les technologies de la réfrigération, le déshumidificateur exerce une action puissante de déshumidification de l'air afin d'abaisser le taux d'humidité dans la pièce et de garder l'air à l'intérieur sec et confortable.

Conception portable légère

Le déshumidificateur est conçu pour être compact et léger. Les roulettes en bas de l'unité facilitent le déplacement d'une pièce à l'autre.

Fonctionnement à faible température avec dégivrage automatique

Lorsque l'unité fonctionne à basse température entre 7°C et 12°C, elle suspend le dégivrage pendant 30 minutes.

Lorsque l'unité fonctionne à basse température entre 12°C et 20°C, elle suspend le dégivrage pendant 45 minutes.

Humidistat réglable

Régler le niveau souhaité d'humidité avec l'humidistat.

Minuterie Active / Inactive

Programmer l'unité pour qu'elle s'allume ou s'éteigne automatiquement.

Mode silencieux

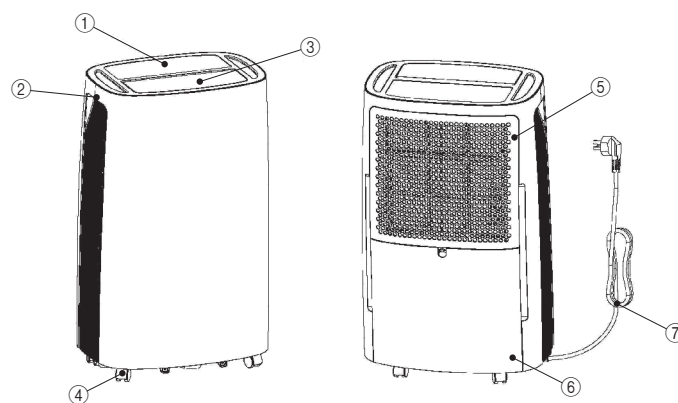
Le déshumidificateur fonctionne avec un faible niveau de bruit.

Rendement énergétique

La consommation d'énergie de l'unité est faible.

1. DESCRIPTION

PARTS



1. Panneau de commande
4. Roulette
7. Câble d'alimentation

2. Poignée
5. Boîte de filtre

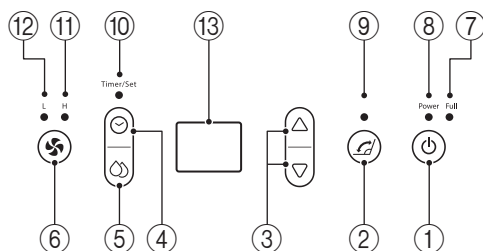
3. Déflecteur de vent
6. Bac d'eau

OPTION



1. Tuyau pour le drainage

PANNEAU DE COMMANDE



- | | |
|---|--|
| 1. Bouton Power | 2. Bouton de pivotement |
| 3. Bouton Réglage | 4. Bouton de réglage de la minuterie |
| 5. Bouton Paramètres | 6. Bouton de réglage de vitesse du ventilateur |
| 7. Témoin de plein d'eau | 8. Témoin d'état de marche |
| 9. Lampe de pivotement | 10. Voyant de minuterie / Réglage |
| 11. Témoin de régime élevé de ventilateur | |
| 12. Témoin de régime bas de ventilateur | |
| 13. Tableau d'indicateurs | |

2. FONCTIONNEMENT

Affichage à 2 chiffre de niveau d'humidité et de minuterie



L'indicateur prévoit 3 fonctions :

- Lorsque l'appareil fonctionne, le niveau d'humidité de la pièce est affiché.
- Lorsqu'elle est réglée, l'humidité que vous avez sélectionné sera indiquée.
- Lorsque vous programmez l'heure à laquelle l'unité s'allume et s'éteint, les heures s'afficheront.
- Lorsque l'humidité ambiante est inférieure à 35 %, « 35 » sera affiché.
- Lorsque l'humidité ambiante est supérieure à 95 %, « 95 » sera affiché.

3. INSTRUCTIONS D'UTILISATION

Le voyant lumineux Alimentation s'allumera lorsque l'unité est branchée, indépendamment de l'utilisation ou non de l'unité.

1. Mise sous/hors tension

Appuyez sur pour démarrer l'appareil lorsque l'unité est à l'arrêt ; ou appuyez sur pour l'arrêter lorsque l'unité est en marche.

2. Paramétrage de l'humidité

Appuyez sur la touche pour entrer dans l'état de réglage de l'humidité, puis appuyez sur ou pour régler l'humidité de 40 à 80 %, chaque réglage est de 5 %, la LED clignotant s'affiche au moment du réglage. Arrêtez d'appuyer sur la touche pendant 5 secondes, elle revient à l'état d'affichage normal. La valeur par défaut de l'humidité est de 40%.

3. Réglage de la vitesse du ventilateur

Si vous appuyez sur pour régler la vitesse du ventilateur sur haute ou basse, le voyant correspondant à la vitesse du ventilateur s'allume.

4. Réglage du déplacement

Après le démarrage de la machine, appuyez sur pour démarrer ou arrêter le pivotement de la feuille de sortie d'air.

5. Réglage du temps

En appuyant sur pour entrer dans l'état de réglage du temps de démarrage lorsque l'unité est à l'arrêt, la LED affichera l'heure, vous pouvez appuyer sur le bouton ou pour régler le temps de démarrage automatique de 1 à 24 heures. Si vous appuyez sur pour entrer dans l'état de réglage du temps d'arrêt lorsque l'unité est en marche, la LED affichera l'heure, vous pouvez appuyer sur ou pour ajuster le temps d'arrêt

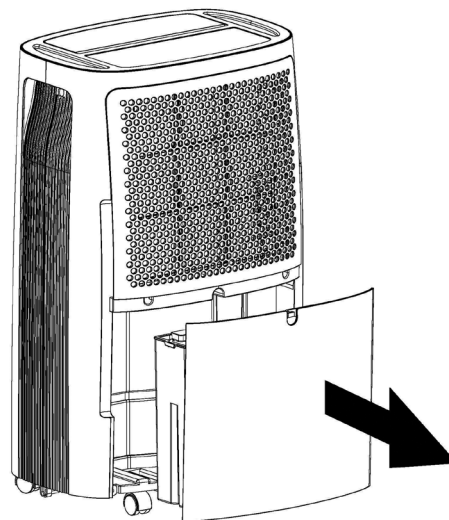
automatique de 1 à 24 heures. Si la machine s'arrête de fonctionner, l'heure programmée reste inchangée à cause d'eau pleine ou pendant le dégivrage. Une fois mis en marche ou arrêté par l'utilisateur, l'unité peut perdre la fonction de chronométrage.

4. ÉVACUER L'EAU RECUEILLIE

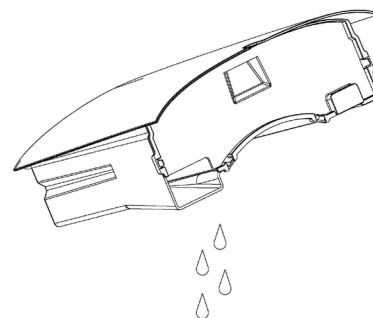
Lorsque le bac d'évacuation est plein, le voyant lumineux de réservoir plein sera allumé, l'opération s'arrêtera automatiquement et le vibreur sonnera 15 fois pour alerter l'utilisateur que l'eau l'eau doit être vidée du réservoir d'évacuation.

5. VIDER LE RÉSERVOIR D'ÉVACUATION

- Appuyer légèrement sur les côtés du réservoir avec les deux mains et extraire doucement le réservoir.

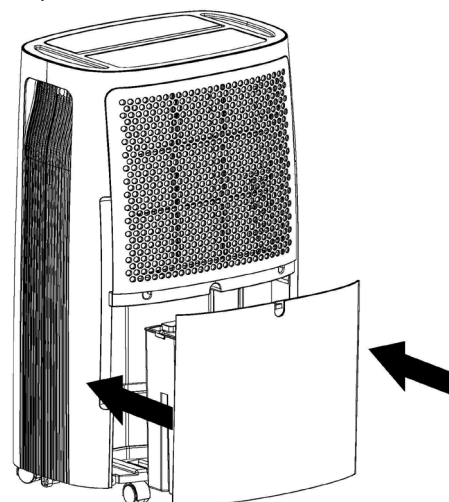


- Évacuer l'eau recueillie.



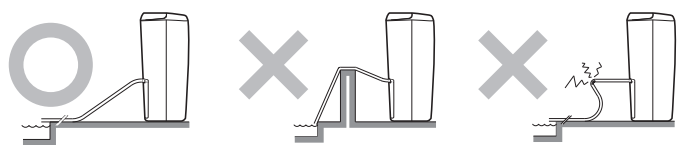
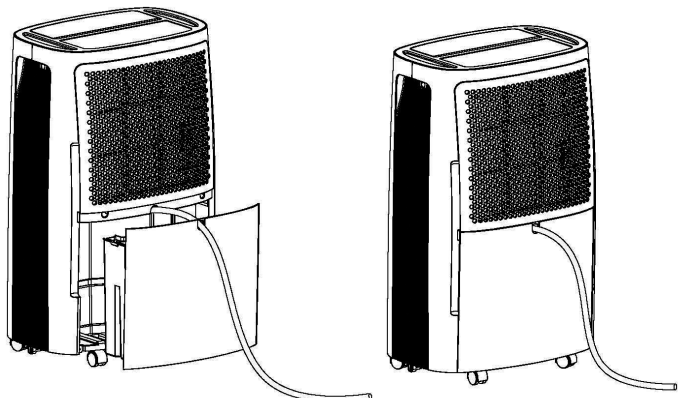
REMARQUE

- Si le réservoir d'évacuation est sale, le laver avec de l'eau froide ou tiède. Ne pas utiliser de détergent, d'éponge, de serviette dépoussiérante traitée chimiquement, d'essence, de benzène, de diluant ou d'autres solvants parce que ces produits pourraient érafler ou endommager le réservoir et provoquer des fuites d'eau.
- Lorsque le bac d'évacuation est remplacé, mettre fermement le bac en place en appuyant avec les deux mains. Si le bac n'est pas disposé correctement, le détecteur « BAC PLEIN » sera activé et le déshumidificateur ne fonctionnera pas.



6. ÉVACUATION CONTINUE D'EAU

L'unité est dotée d'un orifice d'évacuation continue. Avec un tuyau en plastique (avec un diamètre interne de 10 mm) inséré dans l'orifice d'évacuation (sur un plateau intermédiaire), accédez au côté du bac d'eau, le mettre en place et arranger le tuyau d'évacuation. L'eau dans le bac d'évacuation peut être continuellement vidée de l'ouverture continue sur l'unité.



7. ENTRETIEN

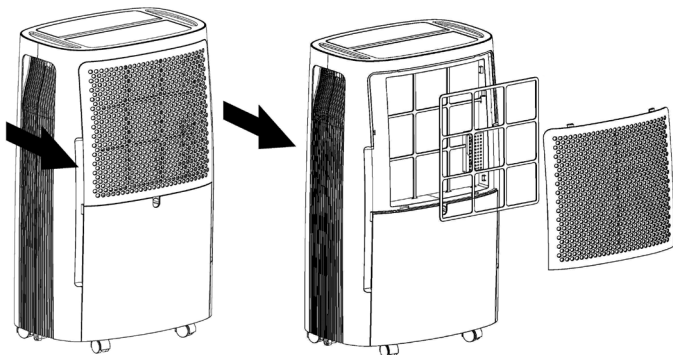
Nettoyage du déshumidificateur

Nettoyer le déshumidificateur

Le nettoyer avec un chiffon humide.

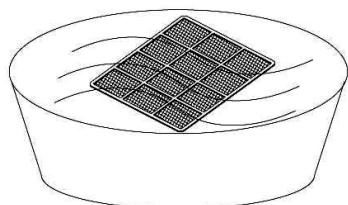
Nettoyer le filtre à air

1. Ouvrir d'abord la grille d'entrée et retirer le filtre d'air.



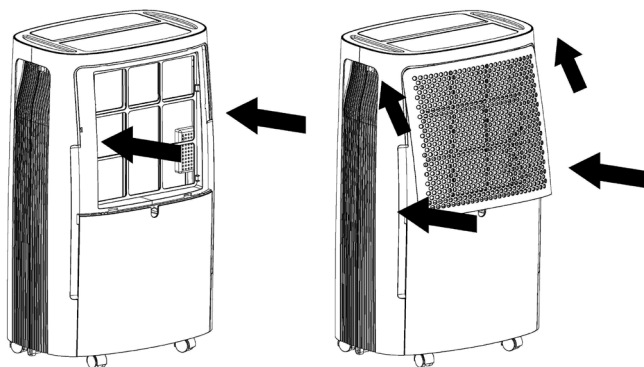
2. Nettoyer le filtre à air

Faire courir légèrement un aspirateur sur la surface du filtre à air pour éliminer la poussière. Si le filtre à air est exceptionnellement sale, le laver soigneusement avec de l'eau chaude et un détergent léger et sec.



3. Attacher le filtre à air

Insérer doucement le filtre dans la grille et placer la grille d'admission au bon endroit.



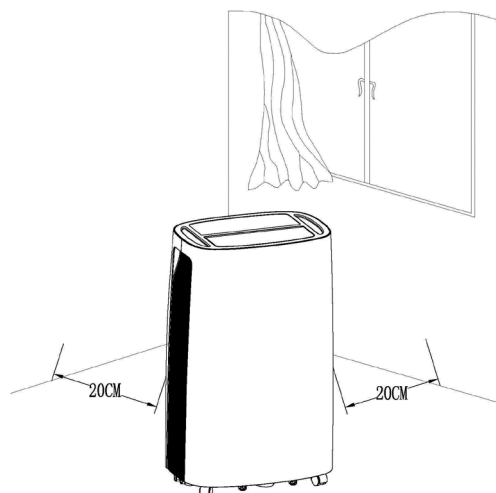
Stocker le déshumidificateur

Lorsque l'unité n'est pas utilisée pendant une longue période de temps et vous voulez la stocker, exécuter les étapes suivantes:

1. Vider toute l'eau restant dans le bac d'évacuation.
2. Plier le câble d'alimentation et le placer dans le bac d'eau.
3. Nettoyer le filtre à air.
4. Jeter dans un endroit frais et sec.

Dégagement

Maintenir un dégagement minimum autour du déshumidificateur lorsque l'unité fonctionne comme indiqué dans le dessin de gauche.



8. DÉPANNAGE

Si une condition ci-dessous se présente, veuillez contrôler les éléments suivants avant d'appeler le service à la clientèle.

Problème	Cause possible	Solution
L'unité ne fonctionne pas.	Est-ce que le câble d'alimentation est débranché ?	Brancher le câble d'alimentation dans la prise.
	Est-ce que le voyant indiquant que le bac est plein clignote ? (Le bac est plein ou dans une mauvaise position)	Vider l'eau dans le bac d'évacuation et le remettre en place correctement.
	Est-ce que la température ambiante est supérieure à 35° C ou inférieure à 7° C ?	Le dispositif de protection est activé et l'unité ne peut pas démarrer.
La fonction de déshumidification ne marche pas.	Est-ce que le filtre à air est bouché ?	Nettoyer le filtre à air selon les consignes contenues dans « Nettoyage du déshumidificateur ».
	Est-ce que la conduite d'admission ou celle de décharge est obstruée ?	Désobstruer la conduite de décharge ou d'admission.
Pas de décharge d'air.	Est-ce que le filtre à air est bouché ?	Nettoyer le filtre à air selon les consignes contenues dans « Nettoyage du déshumidificateur ».
Le fonctionnement est bruyant.	Est-ce que l'unité est inclinée ou en position instable ?	Déplacer l'unité pour la mettre en position stable ou solide.
	Est-ce que le filtre à air est bouché ?	Nettoyer le filtre à air selon les consignes contenues dans « Nettoyage du déshumidificateur ».

9. NOTE POUR TRAVAIL D'ENTRETIEN

1. Contrôles de la zone

Avant de commencer à travailler sur les systèmes contenant des réfrigérants inflammables, des contrôles de sécurité sont nécessaires pour s'assurer que le risque de mise à feu est minimisé. Pour toute réparation sur le système réfrigérant, les précautions suivantes devront être observées avant d'effectuer tout travail sur le système.

Procédure de travail

Le travail doit être entrepris selon une procédure contrôlée afin de minimiser le risque lié à la présence de gaz inflammable ou de vapeur pendant le le travail est en cours.

2. Zone de travail général

Tout le personnel d'entretien et toutes les autres personnes travaillant à proximité seront informés de la nature du travail en cours d'exécution. Éviter de travailler dans des endroits confinés. La zone autour de l'espace de travail doit être isolée. S'assurer que les conditions dans la zone ont été sécurisées en contrôlant le matériel inflammable.

3. Contrôle de la présence de réfrigérant

La zone doit être contrôlée dans un détecteur approprié de réfrigérant avant et pendant le travail pour s'assurer que le technicien est au courant de toute atmosphère potentiellement inflammable. S'assurer que l'équipement de détection de fuite utilisé convient à l'utilisation avec un réfrigérant inflammable, c'est-à-dire ne produisant pas d'étincelles, correctement étanchéisé ou intrinsèquement sûr.

4. Présence d'un extincteur de flammes

Si un travail à chaud doit être effectué sur l'équipement de réfrigération ou sur toute pièce associée, un équipement approprié d'extinction doit être à portée de la main. Ayez à disposition de la poudre sèche ou un extincteur au CO₂ à proximité de la zone de chargement.

5. Pas de sources de mise à feu

Aucune personne exécutant un travail en lien avec un système de réfrigérant impliquant l'exposition d'ouvrages de tuyauterie contenant ou ayant contenu du réfrigérant inflammable utilisera toute source d'allumage d'une façon telle à créer un risque d'incendie ou d'explosion. Toutes les sources possibles d'allumage, y compris une cigarette, doivent être maintenues suffisamment loin du site d'installation, de réparation, d'enlèvement et de mise au rebut, le réfrigérant inflammable pouvant, pendant tout ce temps, être libéré dans l'espace environnant. Avant que le travail n'ait lieu, la zone autour de l'équipement doit être étudiée pour s'assurer qu'aucun risque d'incendie ou de mise à feu n'existe. Des panneaux « Interdit de fumer » ne seront placés.

6. Zone ventilée

S'assurer que la zone est dans un espace ouvert ou qu'elle est bien ventilée avant d'entrer dans le système ou d'entreprendre tout travail à chaud. Un degré de ventilation persistera durant la période pendant laquelle le travail est exécuté. La ventilation doit disperser en toute sécurité toute quantité libérée de réfrigérant et, si possible, l'expulser vers l'extérieur dans l'atmosphère.

7. Contrôles vers l'équipement de réfrigération

Lorsque des composants électriques sont changés, ils doivent convenir à l'objet recherché et avoir les bonnes spécifications. Les directives du fabricant relatives à l'entretien et aux interventions doivent être observées à tous moments. En cas de doute, consulter le service technique du fabricant pour demander de l'aide.

Les contrôles suivants doivent être appliqués aux installations utilisant des réfrigérants inflammables.

- la taille de la charge en fonction de la taille de la pièce dans laquelle le réfrigérant contenant les pièces sont installées ;
- les machines et sorties de ventilation fonctionnent de façon adéquate et ne sont pas obstruées.

8. Contrôles des dispositifs électriques

Les travaux de réparation et d'entretien sur les éléments électriques incluront les contrôles initiaux de sécurité et les procédures d'inspection des composants. En cas de défaut susceptible de compromettre la sécurité, alors aucune alimentation électrique ne sera raccordée au circuit tant que le problème n'aura pas été résolu de façon satisfaisante. Si l'anomalie ne peut pas être corrigée immédiatement mais qu'il est nécessaire de poursuivre l'opération, une solution temporaire adéquate doit être appliquée. Ceci doit faire l'objet d'un rapport au propriétaire de l'équipement de sorte que toutes les parties soient averties.

Les contrôles de sécurité initiaux doivent inclure :

- vérifier que les condensateurs sont déchargés : cela doit être fait de manière sûre afin de prévenir la production possible d'étincelles ;
- vérifier qu'aucun composant ou câbles électriques n'est exposé pendant le chargement, la récupération ou la purge du système.
- vérifier la continuité de la liaison à la terre.

9. Réparations aux composants étanchéisés

Pendant les réparations sur les composants étanchéisés, tous les branchements d'alimentation électrique doivent être débranchés de l'équipement sur lequel une intervention est en cours avant de retirer toute protection close, etc.

S'il est absolument nécessaire d'avoir une source d'alimentation électrique durant une intervention, alors une forme permanente de détection de fuite doit être placée au point le plus essentiel pour émettre un avertissement en cas de situation potentiellement dangereuse.

Une attention particulière doit être portée à ce qui suit pour s'assurer que, pendant l'intervention sur les éléments électriques, le boîtier n'est pas altéré d'une façon qui compromettrait le niveau de protection. Cela inclura des dommages aux câbles, un nombre excessif de connexions, des bornes non conformes aux spécifications originales, des dommages aux joints, un mauvais raccordement des manchons, etc.

S'assurer que l'appareil est monté de façon sûre.

S'assurer que les joints ou les matériaux de scellement ne se sont pas dégradés de sorte qu'ils ne servent plus à la fin prévu, à savoir empêcher l'intrusion de milieux inflammables. Les pièces de rechange doivent être conformes aux spécifications du fabricant.

REMARQUE : L'utilisation d'un produit de scellement au silicone pourrait compromettre l'efficacité de certains types d'équipement de détection de fuite. Les composants intrinsèquement sûrs ne doivent pas être isolés avant de travailler sur eux.

10. Réparations pour remettre les composants en état intrinsèquement sûr

N'appliquer aucune charge permanente inductive ou capacitive au circuit sans s'assurer d'abord qu'une telle charge n'est pas supérieure à la tension et à l'intensité admissibles pour l'équipement utilisé.

Intrinsèquement, les composants sont les seuls types d'objets sur lesquels il est possible de travailler sous tension en présence d'une atmosphère inflammable. L'appareil de test sera au service nominal approprié.

Ne remplacer que les composants avec les pièces spécifiées par le fabricant. Seules les pièces peuvent entraîner la mise à feu du réfrigérant à partir d'une fuite dans l'atmosphère.

11. Câbles

Vérifier que les câbles ne seront pas sujet à l'usure, à la corrosion, à une pression excessive, à des vibrations, à des arêtes vives ou à tout autre effet adverse sur l'environnement. Le contrôle doit également prendre en compte les effets du vieillissement ou la vibration continue de sources telles que les compresseurs ou les ventilateurs.

12. Détection de fuite pour réfrigérants inflammables

Des sources potentielles de mise à feu ne doivent en aucun cas être utilisées dans la recherche ou la détection de fuites de réfrigérant. Ne pas utiliser de lampe haloïde (ou tout autre détecteur utilisant une flamme nue).

13. Méthodes de détection de fuite

Les méthodes actuelles de détection de fuite sont acceptables pour les systèmes contenant du réfrigérant inflammable.

Des détecteurs électroniques de fuite seront utilisés pour détecter les réfrigérants inflammables, mais la sensibilité pourrait ne pas être adéquate, ou pourrait demander un réétalonnage (l'équipement de détection doit être étalonné dans un milieu sans réfrigérant.) S'assurer que le détecteur ne soit pas une source potentielle d'allumage et convienne au réfrigérant utilisé. Les liquides de détection de fuite conviennent à l'utilisation avec la plupart des réfrigérants, mais l'utilisation de détergents contenant du chlore doit être évitée parce que le chlore pourrait réagir avec le réfrigérant et corroder la tuyauterie en cuivre. Si une fuite est suspectée, toutes les flammes nues doivent être éloignées / éteintes.

Si une fuite de réfrigérant est trouvée et demande l'exécution d'un brasage, l'intégralité du réfrigérant doit être récupérée dans le système. L'oxygène libre d'oxygène (OLO) devra être purgée à travers le système aussi bien avant qu'après le processus de brasage.

14. Élimination et évacuation

Lors d'une intervention dans le circuit de réfrigérant pour faire des réparations, ou pour toute autre raison, les procédures conventionnelles doivent être utilisées. Il est toutefois important d'observer les meilleures pratiques du fait que l'inflammabilité est à prendre en compte. La procédure suivante devra être appliquée pour :

- éliminer le réfrigérant ;
- purger le circuit avec du gaz inerte ; évacuer ;
- purger encore une fois avec du gaz inerte ;
- ouvrir le circuit par découpe ou brasage.

La charge de réfrigérant devra être récupérée dans les bons cylindres de récupération. Le circuit sera « rincé » avec de l'OLO afin de rendre sûre l'unité. Ce processus pourrait devoir être répété plusieurs fois. Ne pas utiliser d'air comprimé ou d'oxygène pour exécuter cette tâche.

Le rinçage doit être exécuté en rompant le vide dans le circuit avec de l'OLO et en continuant de remplir jusqu'à obtenir la pression de service, puis ventiler à l'air ambiant, et enfin en tirant jusqu'à obtenir le vide. Ce processus doit être répété jusqu'à ce qu'il n'y ait plus de réfrigérant dans le système. Lorsque la charge finale d'OLO est utilisée, le circuit doit être ramené à la pression ambiante pour permettre l'exécution du travail.

Cette opération est absolument essentielle si les opérations de brasage doivent être conduites sur la tuyauterie. S'assurer que la sortie pour la pompe à vide n'est pas à proximité de sources de mise à feu et une ventilation appropriée est disponible.

15. Procédures de chargement de réfrigérant

En sus des procédures de chargement conventionnelles, les conditions requises suivantes doivent être observées.

- S'assurer que la contamination avec des réfrigérants différents n'aura pas lieu en utilisant l'équipement de chargement. Les flexibles ou les conduites seront aussi courtes que possibles afin de minimiser la quantité de réfrigérant qu'ils contiennent.
- Les cylindres doivent être maintenus à la verticale.
- S'assurer que le circuit de réfrigération est raccordé à la terre avant de charger le circuit de réfrigérant.
- Étiqueter le système lorsque le chargement est complet (s'il ne l'est pas déjà).
- Faire extrêmement attention à ne pas trop remplir le circuit de réfrigération.
Avant de recharger le système, il faut en tester la pression avec de l'OLO. Des tests de fuites doivent être exécutés sur le système une fois le chargement terminé et avant la mise en service. Un test de fuite de suivi doit être exécuté avant de quitter le site.

16. Mise hors service

Avant d'exécuter cette procédure, il est essentiel que le technicien soit parfaitement familiarisé avec l'équipement et tous ses détails. Une récupération sûre de tous les réfrigérants est une pratique exemplaire recommandée. Avant d'exécuter la tâche, un échantillon d'huile et de réfrigérant doit être prélevé dans le cas où une analyse serait requise pour la réutilisation du réfrigérant à réutiliser. Il est essentiel que l'alimentation électrique soit disponible avant de commencer la tâche.

Se familiariser avec l'équipement et son fonctionnement.

- a) Isoler électriquement le circuit.
- b) Avant de tenter la procédure, s'assurer qu'un équipement de manipulation mécanique est disponible, en cas de réparation, pour gérer les cylindres de réfrigérant ; s'assurer que tous les équipements de protection personnelle sont disponibles et utilisés correctement, que le processus de récupération est sous constante supervision par une personne compétente et que les équipements de récupération et les cylindres sont conformes aux standards appropriés.
- c) Pomper le circuit de réfrigérant, si possible.
- d) S'il n'est pas possible d'obtenir le vide, préparer un collecteur afin que le réfrigérant puisse être éliminé des diverses parties du système.
- e) S'assurer que le cylindre est situé sur les échelles avant que la récupération n'ait lieu.
- f) Faire démarrer la machine de récupération et l'utiliser conformément aux instructions du fabricant.
- g) Ne pas trop remplir les cylindres (Charge maximale en liquide non supérieure à 80 % du volume).
- h) Ne pas dépasser la pression de service maximale du cylindre, même temporairement.
- i) Lorsque les cylindres ont été correctement remplis et le processus est terminé, s'assurer que les cylindres et l'équipement sont promptement retirés du site et que toutes les vannes d'isolation sont fermées sur l'équipement.
- j) Le réfrigérant récupéré ne sera pas chargé dans un autre circuit de réfrigération avant que celui-ci n'ait été nettoyé et contrôlé.

17. Étiquetage

L'équipement doit porter un étiquetage indiquant qu'il a été mis hors service et vidé de réfrigérant. Toute étiquette doit être datée et signée. S'assurer de la présence sur l'équipement d'étiquettes indiquant que celui-ci contient de réfrigérant inflammable.

18. Récupération

Pendant la récupération du réfrigérant dans un système pour une intervention ou une mise hors service, la pratique exemplaire recommandée consiste à éliminer en toute sécurité tous les réfrigérants.

Pendant le transfert de réfrigérant dans les cylindres, s'assurer que seuls les cylindres appropriés de récupération de réfrigérant sont utilisés. S'assurer que le bon nombre de cylindres est disponible pour tenir l'intégralité de la charge du système. Tous les cylindres à utiliser sont conçus pour le réfrigérant récupéré et ils sont étiquetés pour ce réfrigérant (cylindres spéciaux pour la récupération de réfrigérant). Les cylindres seront complets avec soupapes de sécurité et vannes d'arrêt associées en bon état. Les cylindres vides de récupération sont évacués et, si possible, refroidis avant d'exécuter la récupération.

L'équipement de récupération sera en bon état de fonctionnement avec un ensemble d'instructions concernant l'équipement à portée de main et il conviendra à la récupération de réfrigérants inflammables.

De plus, un jeu de balances étalonnées sera disponible et en bon état de marche. Les flexibles seront dotés de raccords de déconnexion sans fuite et en bon état de marche.

Avant d'utiliser la machine de récupération, vérifier qu'il est dans un état de marche satisfaisant, qu'il a bien été entretenu et que tous les composants électriques associés sont étanches afin de prévenir toute mise à feu en cas de libération de réfrigérant. En cas de doute, consulter le fabricant.

Le réfrigérant récupéré sera renvoyé au fournisseur dans le bon cylindre de récupération et une Note de transfert de déchet appropriée sera préparée. Ne pas mélanger les réfrigérants dans les unités de récupération, en particulier dans les cylindres.

Si les compresseurs ou les huiles de compresseur doivent être retirés, s'assurer qu'ils ont été vidangés à un niveau acceptable pour s'assurer qu'aucune quantité de réfrigérant inflammable ne reste dans le lubrifiant. Le processus d'évacuation doit être exécuté avant de renvoyer le compresseur au fournisseur. Seul un dispositif électrique de chauffage sur le corps du compresseur doit être employé pour accélérer ce processus. Lorsque l'huile est évacuée d'un circuit, l'opération doit être exécutée en toute sécurité.

19. Transport d'équipement contenant des réfrigérants inflammables

Déterminé par les réglementations locales.

20. Réfrigérants inflammables des appareillages mis au rebut

Voir les Règlements nationaux.

21. Équipement en emballage de stockage (invenu)

La protection de l'emballage de stockage doit être produit de telle sorte que tout dommage mécanique à l'équipement à l'intérieur de l'emballage ne provoquera pas de fuite de la charge de réfrigérant.

Le nombre maximum de pièces d'équipement autorisé par stockage individuel sera défini par les réglementations locales.

10. CARACTERISTIQUES TECHNIQUES

Modèle	TD-C 1416	TD-C 1420
Capacité	16 L/D (30°C, humidité relative 80 %)	20 L/D (30°C, humidité relative 80 %)
Alimentation électrique	220-240 V ~ / 50 Hz	220-240 V ~ / 50 Hz
Consommation en électricité	260 W	325 W
Plage de fonctionnement	7°C - 35°C	7°C - 35°C
Réfrigérant	R290 (75g)	R290 (90g)
GWP	3	3
Poids	12 kg	14 kg
Pression (haute / basse)	1,8 / 0,6 Mpa	1,8 / 0,6 Mpa
Pression (max)	3,00 Mpa	3,00 Mpa
Protection de l'unité	IPX0	IPX0

La capacité de déshumidification est établie à une température ambiante de

30° C avec une humidité relative de 80 %.

Si les spécifications sont améliorées après ce pointage, la plaque signalétique du produit reflétera les nouvelles spécifications.

La température de service est dans la plage de 7 à 35° C et l'humidité relative max; est de 80 %. Si la température ambiante est hors de cette plage, l'unité ne fonctionnera pas normalement. La valeur de PRG du réfrigérant R290 est de 3.

GARANTIE LIMITÉE

TOYOTOMI CO., LTD. (TOYOTOMI) garantit tous les produits vendus par ses soins ainsi que toutes les pièces des dits produits contre tout défaut matériel ou vice de fabrication détecté dans des conditions normales d'utilisation et d'entretien, et ce, pendant VINGT-QUATRE (24) MOIS, à partir de la date d'achat du produit par l'acheteur initial auprès du détaillant, conformément aux conditions générales suivantes :

INCLUS DANS LA GARANTIE:

Les défauts matériels ou vices de fabrication présentés par le produit ou ses pièces.

EXCLUS DE LA GARANTIE :

La présente garantie ne couvre aucun vice résultant de la négligence de tierces personnes ; de manquements aux instructions d'installation, d'utilisation et d'entretien (les instructions d'utilisation et d'entretien sont fournies avec l'appareil) ; d'une utilisation hors des limites du raisonnable, d'accidents, de modifications ainsi que de l'utilisation de pièces et d'accessoires non agréés ou non normalisés par TOYOTOMI ; de dysfonctionnements électriques (dus à des surcharges importantes, à des courts-circuits, etc.) ; d'une mauvaise installation ; ou de réparations effectuées par des personnes n'étant pas affiliées aux services agréés par TOYOTOMI.

BÉNÉFICIAIRE DE LA GARANTIE : L'acheteur original du produit auprès du détaillant.

NOTRE ENGAGEMENT:

TOYOTOMI réparera ou remplacera, à sa propre discrétion, toutes les pièces défectueuses, sans frais, conformément à la présente garantie limitée. L'appareil devra être amené par vos soins au revendeur ou distributeur agréé par TOYOTOMI le plus proche.

VOTRE ENGAGEMENT DANS LE CADRE DE LA GARANTIE :

Vous serez tenu de retourner le produit défectueux ou les pièces défectueuses à un revendeur ou distributeur agréé par TOYOTOMI, en joignant la présente GARANTIE LIMITÉE. Si aucun service de réparation n'existe dans votre localité, veuillez contacter notre SERVICE DE RELATIONS À LA CLIENTÈLE au :

TOYOTOMI EUROPE SALES B.V.

E-MAIL : info@toyotomi.eu

INTERNET: www.toyotomi.eu

LES MODALITÉS SUSMENTIONNÉES DÉTAILLENT TOUTES LES OBLIGATIONS ET RESPONSABILITÉS DE TOYOTOMI EN CE QUI CONCERNE LA QUALITÉ DU PRODUIT FOURNI PAR SES SOINS. ELLES REMPLACENT TOUTE AUTRE GARANTIE, EXPRESSE OU IMPLICITE, Y COMPRIS LES GARANTIES DE QUALITÉ MARCHANDE OU D'ADÉQUATION À UN USAGE PARTICULIER. TOYOTOMI DÉCLINE TOUTE RESPONSABILITÉ QUANT AUX PERTES DE JOUISSANCE DU PRODUIT, DÉSAGRÈMENTS, PERTES OU AUTRES DOMMAGES, DIRECTS, INDIRECTS, OU CONSÉCUTIFS, RÉSULTANT DE L'UTILISATION OU DE L'INCAPACITÉ À UTILISER LE PRODUIT, AINSI QU'EN CE QUI CONCERNE LES DOMMAGES RÉSULTANT OU POUVANT ÊTRE IMPUTÉS À DES VICES DE PRODUIT.

Seul TOYOTOMI est habilitée à étendre ou modifier les modalités de la présente Garantie Limitée, de quelque manière que ce soit.

Certains états n'autorisent pas les exclusions ou limites de responsabilité concernant les dommages indirects ou accessoires, ainsi que les limites relatives à la durée d'une garantie limitée ; lesdites limites et exclusions ne s'appliqueront donc pas à ces états. La présente Garantie Limitée vous confère des droits légaux spécifiques, outre d'autres droits susceptibles de vous revenir, selon l'état dans lequel vous résidez.

SYMBOLERKLÄRUNG



Gerät gefüllt mit brennbarem Gas R290.



Lesen Sie vor der Inbetriebnahme des Geräts zuerst die Bedienungsanleitung.



Bevor Sie das Gerät installieren, lesen Sie zuerst die Installationsanleitung.



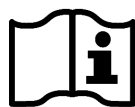
Bevor Sie das Gerät reparieren, lesen Sie zuerst die Serviceanleitung.

HINWEIS

- Lesen Sie diese Bedienungsanleitung vor der Inbetriebnahme des Gerätes sorgfältig durch und bewahren Sie sie für spätere Nachfragen auf.
- Installieren Sie dieses Gerät nur, wenn es den örtlichen/nationalen Gesetzen, Verordnungen und Normen entspricht.
- Dieses Gerät ist für den Einsatz als Luftentfeuchter in Wohnhäusern vorgesehen und ist nur für den Einsatz in trockenen Räumen, unter normalen Haushaltsbedingungen, in Innenräumen in Wohnzimmer, Küche und Garage geeignet.
- Stellen Sie den Luftentfeuchter NICHT in Badezimmern oder an anderen Orten auf, an denen er mit Wasser bespritzt werden könnte.
- Dieses Gerät immer an eine einphasige Steckdose 220-240 V / ~50 Hz anschließen.
- Die Nichtbeachtung der Anweisungen kann zum Erlöschen der Garantie für dieses Gerät führen.
- Beachten Sie bei Nutzung und Reparatur unbedingt die Hinweise des Herstellers!



Caution, risk of fire, R290



SICHERHEITSHINWEISE

Beachten Sie bei der Verwendung des Gerätes die folgenden Sicherheitshinweise:

1. Netzstecker vor Reinigung oder Lagerung ziehen.
2. Das Gerät kann in Innenräumen, aber nicht in Räumen mit hoher Feuchtigkeit wie Waschküchen verwendet werden.
3. Stellen Sie das Gerät NICHT in der Nähe von Heizgeräten oder in der Nähe von brennbaren und gefährlichen Stoffen auf.
4. Stecken Sie NIEMALS Ihre Finger oder Gegenstände in die Ein- oder Auslasskanäle.
5. Setzen oder stellen Sie sich NICHT auf das Gerät.
6. Wenn sich Wasser im Tank angesammelt hat, müssen Sie dies entsorgen.
7. Betreiben Sie den Luftentfeuchter NICHT in einem geschlossenen Bereich, z.B. in einem Schrank, da dies zu einem Brand führen kann.
8. Verwenden Sie das Gerät NICHT in der Nähe von Lebensmitteln, Kunstgegenständen oder wissenschaftlichem Material.
9. Bringen Sie das Ablaufrohr des Gerätes mit einer ausreichenden Neigung an, damit das Kondenswasser kontinuierlich abfließen kann.
10. Wenn das Netzkabel beschädigt ist, muss es durch den Hersteller oder eine ähnlich qualifizierte Person ausgetauscht werden, um eine Gefährdung zu vermeiden.
11. Das Gerät muss so positioniert werden, dass der Netzstecker jederzeit zugänglich ist.
12. Bitte halten Sie einen Abstand von 20 cm um das Gerät herum und die Wand oder andere Gegenstände, um die Luftzirkulation zu gewährleisten.
13. Bei der Installation des Gerätes ist auf die örtlichen nationalen Vorschriften für Kabel zu achten.

14. Das Gerät darf nicht in öffentlichen Verkehrsmitteln verwendet werden.
15. Dieses Gerät kann von Kindern ab 8 Jahren und Personen mit eingeschränkten körperlichen, sensorischen oder geistigen Fähigkeiten oder mangelnder Erfahrung und Kenntnis verwendet werden, wenn diese beaufsichtigt werden oder Anweisung über den sicheren Gebrauch des Geräts erhalten haben und die Gefahren verstehen. Kinder dürfen nicht mit dem Gerät spielen. Die Reinigung und Wartung des Gerätes dürfen nicht von Kindern ohne Aufsicht durchgeführt werden.
16. Beim Betrieb sollten Kinder beaufsichtigt werden, um sicherzustellen, dass sie nicht mit dem Gerät spielen.
17. Geräte, die offensichtlich beschädigt sind, dürfen nicht betrieben werden.

WARNUNG

Spezifische Informationen zu Geräten mit Kältemittelgas R 290:

- Gerät gefüllt mit brennbarem Gas R290.
 - R290 ist ein Kältemittelgas, das den europäischen Umweltrichtlinien entspricht. Es ist ein natürliches Kältemittel (Propan), ungiftig und frei von ozonabbauenden Eigenschaften, mit einem sehr niedrigen Treibhauspotential (GWP = 3).
 - Öffnen Sie keinesfalls Teile des Kältemittelkreislaufs.
 - Verwenden Sie keine anderen als die vom Hersteller empfohlenen Mittel, um den Auftauprozess zu beschleunigen oder das Gerät zu reinigen.
 - Das Gerät ist in einem Raum ohne ständig betriebene Zündquellen (z.B. offene Flammen, ein Betriebsgasgerät oder eine elektrische Heizung) zu lagern.
 - NICHT durchstechen oder anbrennen.
 - Beachten Sie, dass Kältemittel geruchlos sind.
- Das Gerät muss in einem Raum mit einer Grundfläche von mehr als 4 m² installiert, betrieben oder gelagert werden.
 - Wird das Gerät in einem nicht belüfteten Bereich installiert, betrieben oder gelagert, muss der Raum so konzipiert sein, dass sich bei einer Leckage kein Kältemittel ansammelt. Dieses könnte sich durch Elektroheizungen, Öfen oder andere Quellen entzünden und zu einer Explosion führen.
 - Das Gerät muss den nationalen Gasvorschriften entsprechen.
 - Die Wartung darf nur in der vom Hersteller empfohlenen Weise durchgeführt werden.
 - Das Gerät ist so zu lagern, dass keine mechanischen Beschädigungen auftreten.
 - Jede Person, die an Arbeiten am oder dem Öffnen des Kältemittelkreislauf beteiligt ist, sollte über ein aktuell gültiges Zertifikat einer von der Industrie akkreditierten Prüfstelle verfügen, die ihre Kompetenz zum sicheren Umgang mit Kältemitteln gemäß einer von der Industrie anerkannten Prüfvorschrift ermächtigt.
 - Die Instandhaltung darf nur gemäß den Vorgaben des Geräteherstellers durchgeführt werden. Die Wartung und Reparatur, die die Mitwirkung von anderem Fachpersonal erfordert, ist unter der Aufsicht der für den Umgang mit entflammaren Kältemitteln zuständigen Person durchzuführen.
 - Für alle Reparaturen, die Sie durchführen müssen, wenden Sie sich an das nächstgelegene autorisierte Servicezentrum. Befolgen Sie ausschließlich die Anweisungen des Herstellers.

ENTSORGUNGSRICHTLINIEN

Es ist verboten, dieses Gerät im Hausmüll zu entsorgen. Für die Entsorgung stehen Ihnen verschiedene Möglichkeiten zur Verfügung.

- 1 Entsorgen Sie dieses Produkt NICHT als unsortierten Hausmüll. Das Gerät muss über den Sondermüll entsorgt werden.
- 2 In den Gemeinden gibt es in der Regel **Sammelsysteme**, mit denen Elektronikschrott zumeist kostenlos entsorgt werden kann.
- 3 Der Hersteller wird das Altgerät zur Entsorgung zumindest für den Nutzer kostenlos zurücknehmen.
- 4 Alte Geräte enthalten in der Regel wertvolle Rohstoffe. Diese können an Schrott- und Altmetallhändler verkauft werden.

Die unsachgemäße Entsorgung in Wäldern und anderen Flächen verstößt gegen Gesetze und schadet Ihrer Gesundheit, da gefährliche Stoffe in das Grundwasser gelangen und ihren Weg in die Nahrungskette finden. Bedeutung der durchgestrichenen Mülltonne auf Rädern. Elektrogeräte NICHT als unsortierten Hausmüll entsorgen, sondern getrennte Sammelstellen nutzen. Wenden Sie sich an Ihre Kommunalverwaltung, um Informationen über die verfügbaren Sammelsysteme zu erhalten. Wenn Elektrogeräte auf Deponien oder Müllhalden entsorgt werden, können gefährliche Stoffe in das Grundwasser und in die Nahrungskette gelangen, was Ihrer Gesundheit und Ihrem Wohlbefinden schadet.



Diese EU-Kennzeichnung besagt, dass dieses Produkt nicht zusammen mit anderen Haushaltsabfällen entsorgt werden darf. Um mögliche Schäden für die Umwelt oder die menschliche Gesundheit durch unkontrollierte Abfallentsorgung zu vermeiden, recyceln Sie verantwortungsbewusst, um die nachhaltige Wiederverwendung materieller Ressourcen zu fördern. Um Ihr gebrauchtes Gerät zurückzugeben, verwenden Sie bitte das Rückgabe- und Sammelsystem oder wenden Sie sich an den Händler, bei dem das

Produkt gekauft wurde. Sie können dieses Produkt für ein umweltfreundliches Recycling verwenden.

R290: 3

ALLGEMEINES

Um eine optimale Leistung Ihres Entfeuchters zu erzielen, stellen Sie sicher, dass alle Fenster geschlossen sind. So erreichen Sie einen maximalen Wirkungsgrad.

Die Kapazität des Entfeuchters hängt von der Temperatur und der Luftfeuchtigkeit im Raum ab. Bei niedrigeren Temperaturen wird weniger Feuchtigkeit abgeführt.

FEATURES

Leistungsstarkes Entfeuchtungsvermögen

Durch die Nutzung der Kältetechnik entzieht der Luftentfeuchter der Luft kraftvoll Feuchtigkeit, senkt das Feuchtigkeitsniveau des Raumes und hält die Raumluft trocken und angenehm.

Leicht und einfach zu bewegen

Der Luftentfeuchter ist kompakt und leicht gebaut. Die Laufrollen an der Unterseite des Gerätes erleichtern die Bewegung von Raum zu Raum.

Niedertemperaturbetrieb mit automatischer Abtauung

Wenn das Gerät bei einer Raumtemperatur zwischen 7°C und 12°C betrieben wird, wird es alle 30 Minuten zum Abtauen angehalten.

Wenn das Gerät bei einer Raumtemperatur zwischen 12°C und 20°C betrieben wird, wird es alle 45 Minuten zum Abtauen angehalten.

Einstellbarer Hygrostat

Stellen Sie die gewünschte Luftfeuchtigkeit über den Hygrostat ein.

Timer Ein / Aus

Programmieren Sie das Gerät so, dass es sich automatisch ein- und ausschaltet.

Geräuscharmer Betrieb

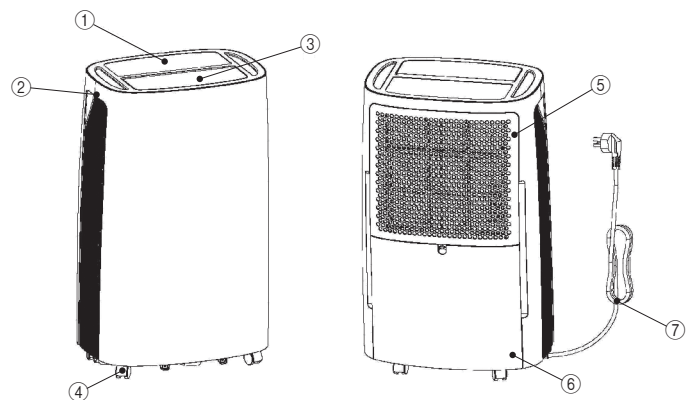
Der Luftentfeuchter arbeitet mit einem niedrigen Geräuschpegel.

Energieeffizient

Der Stromverbrauch des Gerätes ist gering.

1. BESCHREIBUNG

TEILE



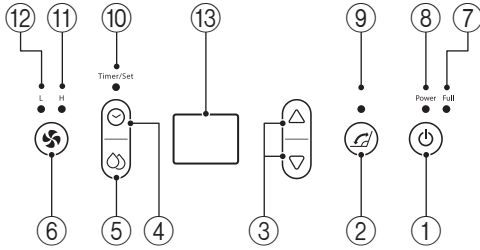
1. Bedienfeld
4. Laufrolle
7. Netzkabel

2. Griff
5. Filterkasten

3. Windschutz
6. Wassertank

OPTIONAL

1. Entwässerungsschlauch

BEDIENFELD

- | | |
|-------------------------------------|--|
| 1. Netzschalter | 2. Schwing Knopf |
| 3. Regeltaste | 4. Timer-Taste |
| 5. Einstelltaste | 6. Drehzahl Ventilator |
| 7. Anzeige Wasser voll | 8. Betriebsanzeige |
| 9. Schwing Lampe | 10. Zeitschaltuhr/Einstelleuchte |
| 11. Leuchte Ventilator Hochleistung | 12. Leuchte Ventilator Niedrigleistung |
| 13. Anzeigenfeld | |

2. BETRIEB**Feuchtigkeitsgehalt & Timer 2-stellige Anzeige****Die Anzeige verfügt über 3 Funktionen:**

1. Bei eingeschaltetem Gerät wird die Raumluftfeuchtigkeit angezeigt.
2. Wenn Sie die Feuchtigkeit einstellen, wird die von Ihnen gewählte Feuchtigkeit angezeigt.
3. Wenn Sie die Zeit für das Ein- und Ausschalten des Geräts programmieren, werden die Stunden angezeigt.
4. Wenn die Umgebungsfeuchtigkeit unter 35 % liegt, wird "35" angezeigt.
5. Wenn die Umgebungsfeuchtigkeit höher als 95 % ist, wird "95" angezeigt.

3. BEDIENUNGSANLEITUNG

Die Leistungsanzeige leuchtet auf, wenn das Gerät angeschlossen ist, unabhängig davon, ob es in Betrieb ist oder nicht.

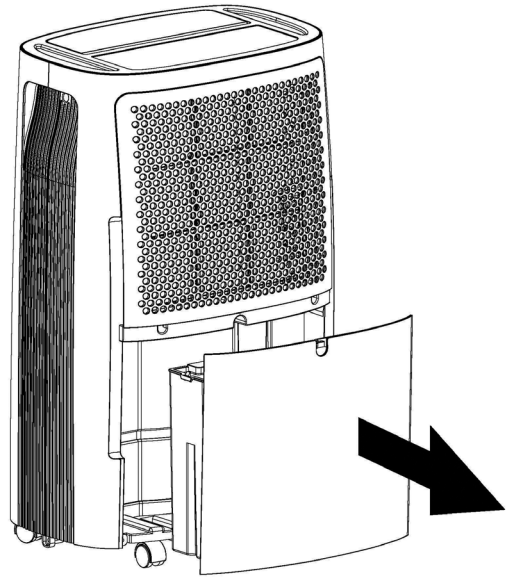
1. Einschalten/Ausschalten
 ⏻ Drücken um das Gerät anzuschalten wenn es zu ist; dann ⏻ Drücken um es abzuschalten, wenn das Gerät funktioniert.
2. Einstellung von Feuchtigkeit
 Den Knopf Ⓞ drücken um die Feuchtigkeit einzustellen, dann drücken Sie △ oder ▽ um die Feuchtigkeit von 40% zu 80% einzustellen, jede Einstellung ist 5%, und LED wird blinken. Wenn Sie für 5 Sekunden nicht mehr drücken, wird es keine Leuchtung mehr geben. Die Standardwert von Feuchtigkeit ist 40%.
3. Lüftergeschwindigkeit einstellen
 Ⓢ Drücken um die die Lüftergeschwindigkeit hoch oder niedrig einzustellen, und das Licht von Lüfter wird geleuchtet sein.
4. SchwingEinstellung
 Wenn das Gerät gestartet hat, drücken Sie Ⓢ um das schwingen von Luft hinein und heraus einzustellen.
5. Uhrzeiteinstellung
 Drücken Sie Ⓞ um die Startzeit einzustellen, wenn das Gerät zu ist, wird LED die Uhr zeigen, dann können Sie den Knopf △ oder ▽ drücken, um das automatische Bildschirm von 1 zu 24 Stunden anzupassen. Drücken Sie Ⓞ um die Abschaltzeit einzustellen, wenn das Gerät aktiv ist, wird LED die Uhr zeigen, und mit dem Knopf △ oder ▽ kann man die Abschaltzeit von 1 zu 24 Stunden einstellen. Die eingestellte Zeit wird die selbe während Defrierung bleiben, und wenn Wasser ins Gerät eintritt. Falls der Benutzer das Gerät anschaltet oder abschaltet, wird die Funktion von Uhrzeit im Gerät gelöscht werden.

4. ENTLEREEN DES GESAMMELTEN WASSERS

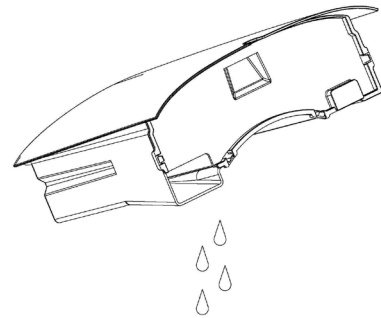
Wenn der Wassertank voll ist, leuchtet die Tankfüllstandsanzeige auf. Der Betrieb stoppt automatisch und der Summer ertönt 15 Mal, um den Benutzer darauf hinzuweisen, dass das Wasser aus dem Wassertank entleert werden muss.

5. ENTLEREEN DES WASSERBEHÄLTERS

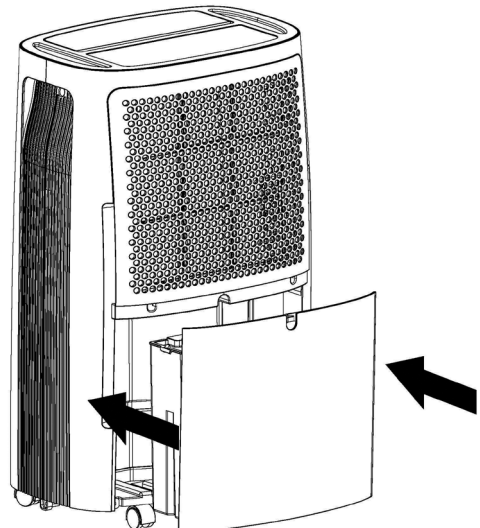
1. Drücken Sie mit beiden Händen leicht auf die Seiten des Tanks und ziehen Sie den Tank vorsichtig heraus.



2. Schütten Sie das gesammelte Wasser aus.

**ANMERKUNG**

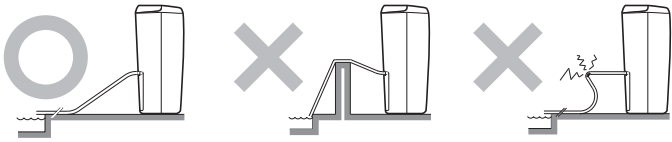
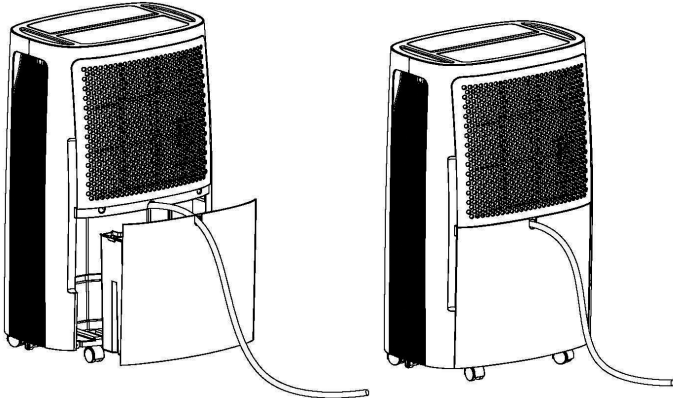
1. Wenn der Wasserbehälter verschmutzt ist, waschen Sie ihn mit kaltem oder lauwarmem Wasser. Verwenden Sie keine Reinigungsmittel, Scheuerschwämme, chemisch behandelte Staubtücher, Benzin, Benzol, Verdünner oder andere Lösungsmittel, da diese den Tank verkratzen und beschädigen können und zu Wasseraustritt führen können.
2. Beim Einsetzen des Wasserbehälters drücken Sie den Behälter mit beiden Händen fest an seinen Platz. Wenn der Tank nicht richtig positioniert ist, wird der Sensor "TANK FULL" aktiviert und der Entfeuchter funktioniert nicht.



6. KONTINUIERLICHE WASSERABLEITUNG

Das Gerät verfügt über eine Ablauföffnung für den kontinuierlichen Wasserauslass. Verwenden Sie ein Kunststoffrohr (mit einem Innendurchmesser von 10 mm), das in die Ablauföffnung (auf der Zwischenplatte) eingeführt wird, greifen Sie von der Seite des Wassertanks heraus, installieren Sie es an seinem Platz und positionieren Sie das Ablaufrohr.

Das Wasser im Wassertank kann kontinuierlich aus der Ablauföffnung am Gerät abgelassen werden.



7. WARTUNG

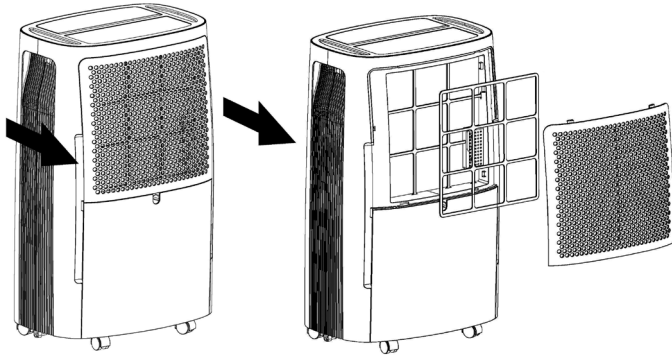
Reinigung des Luftentfeuchters

Reinigung des Gehäuses

Wischen Sie das Gehäuse mit einem weichen, feuchten Tuch ab.

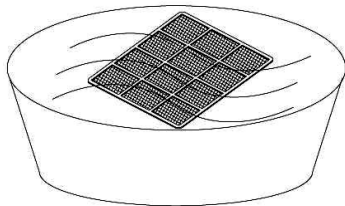
Reinigung des Luftfilters

1. Öffnen Sie zuerst das Ansauggitter und entfernen Sie den Luftfilter.



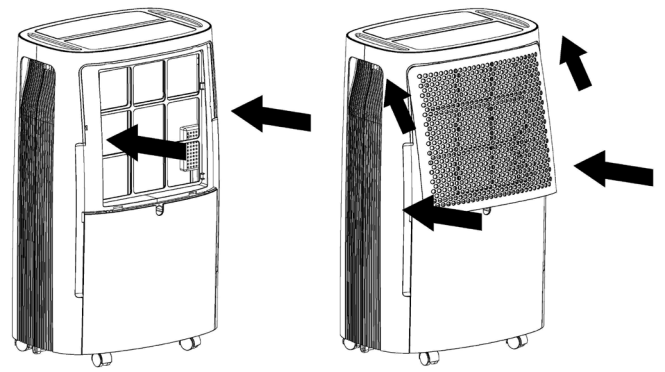
2. Reinigen Sie den Luftfilter.

Mit einem Staubsauger gehen Sie dafür mit leichten Bewegungen über die Oberfläche des Luftfilters, um Schmutz und Staub zu entfernen. Wenn der Luftfilter besonders verschmutzt ist, waschen Sie ihn mit warmem Wasser und einem milden Reinigungsmittel und trocknen Sie ihn gründlich.



3. Wiedereinbau des Luftfilters

Setzen Sie den Filter vorsichtig in das Gitter ein und platzieren Sie das Einlassgitter an der richtigen Stelle.



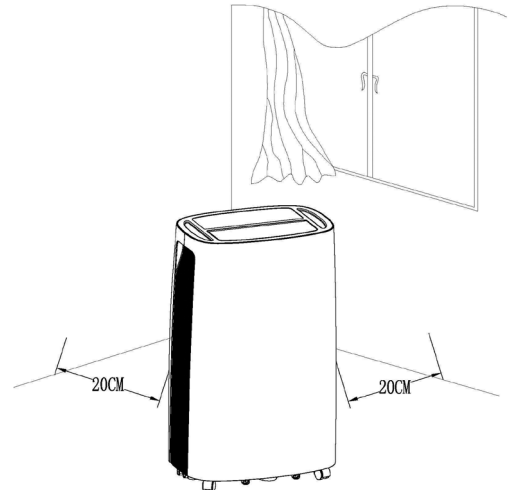
Lagerung des Luftentfeuchters

Wenn das Gerät über einen längeren Zeitraum nicht benutzt wird und Sie es aufbewahren möchten, beachten Sie die folgenden Schritte:

1. Entleeren Sie das im Wassertank verbliebene Wasser.
2. Rollen Sie das Netzkabel ein und stecken Sie es in den Wassertank.
3. Reinigen Sie den Luftfilter.
4. An einem kühlen und trockenen Ort aufbewahren.

Abstand

Halten Sie den Mindestabstand um den Luftentfeuchter herum ein, wenn das Gerät wie in der linken Zeichnung dargestellt betrieben wird.



8. FEHLERBEHEBUNG

Wenn eine der unten aufgeführten Bedingungen eintritt, überprüfen Sie bitte die folgenden Punkte, bevor Sie den Kundendienst anrufen.

Problem	Mögliche Ursache	Lösung
Das Gerät funktioniert nicht.	Wurde das Netzkabel entfernt?	Stecken Sie das Netzkabel in der Steckdose.
	Blinkt die Anzeige für einen vollen Tank? (Der Tank ist voll oder in einer falschen Position.)	Entleeren Sie das Wasser im Tank und positionieren Sie ihn anschließend neu.
	Liegt die Raumtemperatur über 35°C oder unter 7°C?	Der Schutz wird aktiviert und das Gerät kann nicht gestartet werden.
Die Entfeuchtungsfunktion funktioniert nicht	Ist der Luftfilter verstopft?	Reinigen Sie den Luftfilter wie unter "Reinigung des Luftentfeuchters" beschrieben.
	Sind der Ansaug- oder Auslasskanal blockiert?	Entfernen Sie die Blockierung des Auslass- bzw. Ansaugkanal.
Es wird keine Luft abgeführt.	Ist der Luftfilter verstopft?	Reinigen Sie den Luftfilter wie unter "Reinigung des Luftentfeuchters" beschrieben.
Der Entlüfter arbeitet sehr laut.	Steht das Gerät in einer schrägen Position oder ist instabil?	Bringen Sie das Gerät in eine stabile, waagerechte Position.
	Ist der Luftfilter verstopft?	Reinigen Sie den Luftfilter wie unter "Reinigung des Luftentfeuchters" beschrieben.

9. HINWEISE FÜR WARTUNGSARBEITEN

1. Überprüfung des Arbeitsumfeldes

Vor Beginn der Arbeiten an Systemen, die brennbare Kältemittel enthalten, sind Sicherheitsüberprüfungen erforderlich, um sicherzustellen, dass die Zündgefahr minimiert wird. Für die Reparatur der Kälteanlage sind vor Beginn der Arbeiten an der Anlage die folgenden Vorsichtsmaßnahmen zu beachten.

Arbeitsablauf

Die Arbeiten sind nach einem kontrollierten Verfahren durchzuführen, um die Gefahr des Eindringens von brennbaren Gasen oder Dämpfen während der Wartungsarbeiten zu minimieren.

2. Allgemeiner Arbeitsbereich

Das gesamte Instandhaltungspersonal und andere im örtlichen Bereich tätige Personen sind über die Art der durchzuführenden Arbeiten zu unterrichten. Die Arbeiten in engen Räumen sind zu vermeiden. Der Außenbereich des Arbeitsraumes ist abzusperren. Stellen Sie sicher, dass innerhalb des Bereichs brennbare Materialien ausreichend gesichert und kontrolliert sind.

3. Überprüfung auf Vorhandensein von Kältemitteln

Der Bereich ist vor und während der Arbeiten mit einer geeigneten Kältemitteldetektion zu überprüfen, um sicherzustellen, dass der Techniker sich der potenziell brennbaren Atmosphäre bewusst ist. Stellen Sie sicher, dass die verwendete Lecksuchanlage für den Einsatz mit brennbarem Kältemittel, d.h. funkenfrei, ausreichend abgedichtet oder eigensicher ist.

4. Vorhandensein eines Feuerlöschers

Sind Heißenarbeiten an der Kälteanlage oder den zugehörigen Teilen durchzuführen, müssen geeignete Feuerlöschvorrichtungen zur Verfügung stehen. Platzieren Sie einen Trockenpulver- oder CO₂-Feuerlöscher in der Nähe des Ladebereichs.

5. Keine Zündquellen

Keine Person, die Arbeiten an einem Kühlsystem ausführt, bei denen Rohrleitungen freigelegt werden, die brennbares Kältemittel enthalten oder enthalten haben, darf Zündquellen so verwenden, dass sie zu Brand- oder Explosionsgefahr führen können. Alle möglichen Zündquellen, einschließlich des Rauchens, sollten ausreichend weit von der Montage-, Reparatur-, Demontage- und Entsorgungsstelle entfernt sein. Achten Sie darauf, dass brennbares Kältemittel möglicherweise in den umliegenden Raum abgeleitet werden kann. Vor Beginn der Arbeiten ist der Bereich um das Gerät herum zu untersuchen, um sicherzustellen, dass keine brennbaren Materialien oder Zündgefahren existieren. Es sind "Nichtraucher"-Schilder anzubringen.

6. Belüftung des Bereichs

Stellen Sie sicher, dass sich der Bereich im Freien befindet oder ausreichend belüftet ist, bevor Sie in das System eindringen oder einen Heißenarbeiten durchführen. Während der Zeit, in der die Arbeiten durchgeführt werden, muss ein Mindestmaß an Belüftung gewährleistet sein. Die Lüftung sollte das freigesetzte Kältemittel sicher entsorgen und vorzugsweise nach außen in die Atmosphäre abgeben.

7. Kontrollen an der Kältemaschine

Werden elektrische Komponenten geändert, so müssen Ersatzteile für den Zweck und die korrekte Spezifikation geeignet sein. Zu jeder Zeit sind die Wartungs- und Instandhaltungsrichtlinien des Herstellers zu beachten. Wenden Sie sich im Zweifelsfall an die technischen Kundendienst des Herstellers.

Die folgenden Prüfungen sind bei Anlagen vorzunehmen, die brennbare Kältemittel verwenden:

- Füllmenge gemäß der Raumgröße, in der die Teile des Kühlmittels installiert sind;
- Ausreichende Funktion der Lüftungsanlagen und -auslässe ohne Behinderung.

8. Überprüfung der elektrischen Geräte

Die Reparatur und Wartung von elektrischen Komponenten muss erste Sicherheitschecks und Inspektionsverfahren für Komponenten beinhalten. Liegt ein Fehler vor, der die Sicherheit beeinträchtigen könnte, darf keine elektrische Versorgung an den Stromkreis angeschlossen werden, bis dieser zufriedenstellend behoben ist. Kann der Fehler nicht sofort behoben werden, aber es ist notwendig, den Betrieb fortzusetzen, ist eine angemessene Zwischenlösung zu verwenden. Dies ist dem Eigentümer der Anlage zu melden, damit alle Parteien informiert werden.

Erste Sicherheitskontrollen müssen Folgendes umfassen:

- Kondensatoren werden entladen: Dies muss auf sichere Weise geschehen, um die Möglichkeit einer Funkenbildung zu vermeiden.
- Beim Laden, Wiederherstellen oder Spülen des Systems sind keine spannungsführenden elektrischen Komponenten und Leitungen vorhanden.
- Die Überprüfung einer kontinuierlichen Erdung des Geräts.

9. Reparaturen an abgedichteten Komponenten

Bei Reparaturen an abgedichteten Komponenten müssen alle elektrischen Anschlüsse von den zu bearbeitenden Geräten getrennt werden, bevor Abdeckungen usw. entfernt werden.

Wenn es unbedingt erforderlich ist, die Geräte während der Wartung mit Strom zu versorgen, muss an der kritischsten Stelle eine dauerhaft funktionierende Form der Lecksuche angebracht werden, um vor einer potenziell gefährlichen Situation zu warnen.

Es ist besonders darauf zu achten, dass durch Arbeiten an elektrischen Komponenten das Gehäuse nicht so verändert wird, dass das Schutzniveau beeinträchtigt wird. Dazu gehören Beschädigungen an Kabeln, zu viele Anschlüsse, nicht originalgetreue Anschlüsse, Beschädigungen an Dichtungen, falsche Montage von Verschraubungen usw.

Vergewissern Sie sich, dass das Gerät sicher montiert ist.

Stellen Sie sicher, dass Dichtungen oder Dichtungsmaterialien nicht so abgebaut sind, dass sie nicht mehr dazu dienen, das Eindringen von brennbaren Atmosphären zu verhindern. Ersatzteile müssen den Spezifikationen des Herstellers entsprechen.

ANMERKUNG: Die Verwendung von Silikonichtungsmasse kann die Wirksamkeit einiger Arten von Lecksuchgeräten beeinträchtigen. Eigensichere Komponenten müssen vor den Arbeiten nicht isoliert werden.

10. Reparatur von eigensicheren Komponenten

Legen Sie keine permanenten induktiven oder kapazitiven Lasten an den Stromkreis an, ohne sicherzustellen, dass diese die zulässige Spannung und den zulässigen Strom für das verwendete Gerät nicht überschreiten.

Eigensichere Komponenten sind die Einzigen, die auch bei Anwesenheit einer brennbaren Atmosphäre repariert werden können. Die Prüfeinrichtung muss die richtige Leistung aufweisen. Ersetzen Sie Komponenten nur durch vom Hersteller angegebene Teile. Andere Teile können dazu führen, dass das Kältemittel in der Atmosphäre durch eine Leckage entzündet wird.

11. Verkabelung

Überprüfen Sie, ob die Verkabelung Verschleiß, Korrosion, Druck, Vibrationen, scharfe Kanten oder andere schädliche Umwelteinflüsse ausgesetzt ist. Bei der Prüfung sind auch die Auswirkungen der Alterung oder der ständigen Schwingungen von Quellen wie Kompressoren oder Ventilatoren zu berücksichtigen.

12. Leckageerkennung für brennbare Kältemittel

Bei der Suche nach Kältemittelleckagen oder der Erkennung von Kältemittelleckagen dürfen unter keinen Umständen potenzielle Zündquellen genutzt werden. Ein Halogenbrenner (oder ein anderer Detektor mit offener Flamme) darf nicht verwendet werden.

13. Verfahren für die Leckageerkennung

Die folgenden Lecksuchmethoden sind für Systeme mit brennbarem Kältemittel zulässig.

Elektronische Lecksuchgeräte werden zum Erkennen von brennbaren Kältemitteln verwendet. Jedoch kann die Empfindlichkeit nicht ausreichend oder eine Neukalibrierung erforderlich sein (Detektionsgeräte müssen in einem kältemittelfreien Bereich kalibriert werden). Stellen Sie sicher, dass der Detektor keine potenzielle Zündquelle ist und sich für das verwendete Kältemittel eignet.

Lecksuchflüssigkeiten sind für die meisten Kältemittel geeignet, aber die Verwendung von chlorhaltigen Reinigungsmitteln ist zu vermeiden, da das Chlor mit dem Kältemittel reagieren und die Kupferrohre korrodieren kann.

Bei Verdacht auf ein Leck sind sofort alle offenen Flammen zu entfernen/löschen.

Wird ein Leck von Kältemittel festgestellt, das gelötet werden muss, muss das gesamte Kältemittel aus dem System abgelassen werden. Sauerstofffreier Stickstoff (OFN) sollte vor und während des Lötprozesses durch das System geleitet werden.

14. Entnahme und Entleerung

Beim Öffnen des Kältemittelkreislauf zur Reparatur oder für andere Zwecke sind herkömmliche Verfahren anzuwenden. Es ist jedoch wichtig, entsprechend grundlegende Arbeitsrichtlinien einzuhalten, da die Entflammbarkeit eine zentrale Rolle spielt. Das folgende Verfahren ist einzuhalten:

Kältemittel entfernen;

Spülen Sie den Kreislauf mit Schutzgas;

Entleeren;

Wieder mit Schutzgas spülen;

Öffnen Sie den Kreislauf durch Schneiden oder Löten.

Die Kältemittelfüllung ist in einen geeigneten Behälter zurückzuführen. Das System muss mit OFN "gespült" werden, um das Gerät sicher zu machen. Dieser Vorgang muss möglicherweise mehrmals wiederholt werden. Druckluft oder Sauerstoff dürfen für diese Aufgabe nicht verwendet werden.

Die Spülung wird durchgeführt, indem das Vakuum im System mit OFN unterbrochen und weiter gefüllt wird, bis der Betriebsdruck erreicht ist. Dann wird die Atmosphäre entlüftet und schließlich auf ein Vakuum heruntergefahren. Dieser Vorgang ist so lange zu wiederholen, bis sich kein Kältemittel mehr im System befindet. Bei Verwendung der endgültigen OFN-Ladung muss das System auf Atmosphärendruck entlüftet werden, damit Arbeiten durchgeführt werden können.

Dieser Vorgang ist unerlässlich, wenn Lötarbeiten an den Rohrleitungen durchgeführt werden sollen. Achten Sie darauf, dass sich der Ausgang für die Vakuumpumpe nicht in der Nähe von Zündquellen befindet und sorgen Sie für ausreichend Belüftung.

15. Verfahren zur Befüllung mit Kältemittel

Zusätzlich zu den herkömmlichen Füllverfahren sind die folgenden Anforderungen zu erfüllen.

- Stellen Sie sicher, dass bei der Verwendung von Füllgeräten keine Verunreinigungen verschiedener Kältemittel auftreten. Die Schläuche oder Leitungen müssen so kurz wie möglich sein, um die darin enthaltene Menge an Kältemittel zu minimieren.
- Die Zylinder sind aufrecht zu halten.
- Stellen Sie sicher, dass das Kühlsystem geerdet ist, bevor Sie das System mit Kältemittel befüllen.
- Beschriften Sie das System, wenn der Ladevorgang abgeschlossen ist (falls nicht bereits geschehen).

- Es ist besonders darauf zu achten, dass das Kühlsystem nicht überfüllt wird.

Vor dem Befüllen des Systems muss es mit OFN druckgeprüft werden. Das System ist nach Abschluss des Füllvorgangs, aber vor der Inbetriebnahme auf Dichtheit zu prüfen. Vor dem Verlassen der Montagestelle ist eine abschließende Dichtheitsprüfung durchzuführen.

16. Außerbetriebnahme

Bevor Sie dieses Verfahren durchführen, ist es unerlässlich, dass der Techniker mit dem Gerät und all seinen Details vertraut ist. Es wird empfohlen, dass alle Kältemittel sicher abgeleitet werden. Vor der Durchführung der Arbeit ist eine Öl- und Kältemittelprobe zu entnehmen, falls eine Analyse vor der Wiederverwendung des zurückgewonnenen Kältemittels erforderlich ist. Es ist wichtig, dass vor Beginn der Arbeit elektrische Energie zur Verfügung steht. Machen Sie sich mit dem Gerät und seiner Bedienung vertraut.

- a) System elektrisch trennen.
- b) Bevor Sie das Verfahren durchführen, stellen Sie sicher, dass: mechanische Handhabungsgeräte für den Umgang mit Kältemittelflaschen zur Verfügung stehen, dass die erforderliche persönliche Schutzausrüstung verfügbar ist und korrekt verwendet wird, dass der Rückgewinnungsprozess jederzeit von einer kompetenten Person überwacht wird, dass die Rückgewinnungsgeräte und Flaschen den entsprechenden Normen entsprechen.
- c) Pumpen Sie das Kältemittel, wenn möglich, aus dem System ab.
- d) Wenn ein Vakuum nicht möglich ist, erzeugen Sie einen Verteiler, damit das Kältemittel aus verschiedenen Teilen des Systems abgeleitet werden kann.
- e) Stellen Sie sicher, dass sich der Zylinder in der Waage befindet, bevor die Rückgewinnung erfolgt.
- f) Starten Sie das Rückgewinnungsgerät und arbeiten Sie gemäß den Anweisungen des Herstellers.
- g) Überfüllen Sie die Zylinder nicht (nicht mehr als 80 % des Volumens der Flüssigkeitsmenge).
- h) Den maximalen Betriebsdruck des Zylinders darf nicht überschritten werden, auch nicht vorübergehend.
- i) Wenn die Zylinder ordnungsgemäß befüllt und der Prozess abgeschlossen ist, stellen Sie sicher, dass die Zylinder und die Ausrüstung unverzüglich vom Arbeitsplatz entfernt werden und alle Absperrventile an der Anlage geschlossen sind.
- j) Rückgewonnenes Kältemittel darf nur dann in ein anderes Kühlsystem eingefüllt werden, wenn es gereinigt und überprüft wurde.

17. Beschriftung

Die Geräte sind mit einem Etikett zu versehen, aus dem hervorgeht, dass sie ausgemustert und von Kältemittel befreit wurden. Das Etikett ist mit einem Datum zu versehen und zu unterschreiben. Vergewissern Sie sich, dass sich auf dem Gerät Etiketten befinden, aus denen hervorgeht, dass das Gerät brennbares Kältemittel enthält.

18. Rückgewinnung

Bei der Entfernung von Kältemittel aus einem System, sei es für Wartungs- oder Außerbetriebnahmearbeiten, wird empfohlen, dass alle Kältemittel sicher entfernt werden.

Beim Umfüllen von Kältemittel in Zylinder ist darauf zu achten, dass nur geeignete Rückgewinnungszylinder verwendet werden. Stellen Sie sicher, dass die richtige Anzahl von Zylindern zur Aufnahme des gesamten Inhalts des Systems vorhanden ist. Alle zu verwendenden Zylinder sind für das zurückgewonnene Kältemittel ausgelegt und mit diesem Kältemittel gekennzeichnet (d.h. spezielle Zylinder für die Rückgewinnung von Kältemittel). Die Zylinder müssen mit einem Druckentlastungswert und den zugehörigen Abschaltwerten in einwandfreiem Zustand versehen sein. Die Rückgewinnungszylinder müssen komplett leer und, wenn möglich, gekühlt werden, bevor die Rückgewinnung erfolgt.

Die Rückgewinnungsanlage muss in einwandfreiem Zustand sein, eine Reihe von Anweisungen für die vorliegende Anlage enthalten und für die Rückgewinnung von brennbaren Kältemitteln geeignet sein.

Darüber hinaus muss ein Satz kalibrierter Waagen zur Verfügung stehen, die sich in gutem Zustand befinden. Die Schläuche müssen komplett mit leckagefreien Trennkupplungen versehen und in gutem Zustand sein.

Bevor Sie das Rückgewinnungsgerät in Betrieb nehmen, vergewissern Sie sich, dass es in einwandfreiem Zustand ist, ordnungsgemäß gewartet wurde und dass alle zugehörigen elektrischen

Komponenten versiegelt sind, um eine Zündung im Falle eines Kältemittelaustritts zu verhindern. Wenden Sie sich im Zweifelsfall an den Hersteller.

Das zurückgewonnene Kältemittel ist in dem richtigen Rückgewinnungszylinder an den Kältemittellieferanten zurückzugeben und der entsprechende Transportvermerk für den Abfall ist zu erstellen. Mischen Sie keine Kältemittel in Rückgewinnungseinheiten und insbesondere nicht in Zylindern.

Wenn Kompressoren oder Kompressoröle entfernt werden sollen, stellen Sie sicher, dass sie auf ein akzeptables Niveau entleert wurden, um sicherzustellen, dass kein brennbares Kältemittel im Schmierstoff verbleibt. Der Entleerungsprozess ist vor der Rückgabe des Kompressors an die Lieferanten durchzuführen. Zur Beschleunigung dieses Vorgangs darf nur eine elektrische Erwärmung des Kompressorgehäuses verwendet werden. Wenn Öl aus einem System abgelassen wird, muss dies sicher durchgeführt werden.

19. Transport von Geräten, die brennbare Kältemittel enthalten
Bestimmt durch die örtlichen Vorschriften.

20. Ausgediente Geräte enthalten brennbare Kältemittel
Siehe Nationale Vorschriften.

21. Umverpackung zur Lagerung von (unverkaufter) Ausrüstung
Die Verpackung für die Lagerung sollte so beschaffen sein, dass sie ausreichenden Schutz bietet und mechanische Beschädigungen an den Geräten im Inneren nicht zu einer Undichtigkeit des Kältemittelsystems führt.
Die maximale Anzahl der Geräte, die zusammen gelagert werden dürfen, richtet sich nach den örtlichen Vorschriften.

10. SPEZIFIKATIONEN

Modell	TD-C 1416	TD-C 1420
Leistung	16 L/T (30°C, 80% RT)	20 L/T (30°C, 80% RT)
Netzspannung	220-240 V ~ / 50 Hz	220-240 V ~ / 50 Hz
Stromverbrauch	260 W	325 W
Einsatzbereich	7°C - 35°C	7°C - 35°C
Kältemittel	R290 (75 g)	R290 (90 g)
Treibhauspotential	3	3
Gewicht	12 kg	14 kg
Druck (hoch / niedrig)	1,8 / 0,6 MPa	1,8 / 0,6 MPa
Druck (max.)	3,0 MPa	3,0 MPa
Geräteschutz	IPX0	IPX0

Die Entfeuchtungsleistung wird auf eine Raumtemperatur von **30°C bei einer relativen Luftfeuchtigkeit von 80 % berechnet**. Wenn die Spezifikationen nach diesem Zeitpunkt verbessert werden, spiegelt das Produktnamensschild die neuen Spezifikationen wider. Die Betriebstemperatur liegt im Bereich von 7°C bis 35°C und die maximale relative Luftfeuchtigkeit bei 80 %. Wenn die Raumtemperatur außerhalb dieses Bereichs liegt, arbeitet das Gerät nicht ordnungsgemäß. Der Wert des Treibhauspotentials des Kältemittels R290 ist 3.

BESCHRÄNKTE GARANTIE

TOYOTOMI CO., LTD. („TOYOTOMI“) garantiert, dass jedes Produkt und alle von ihm verkauften Teile bei normalem Gebrauch und Service frei von Material- oder Verarbeitungsfehlern sind, und zwar für 24 (vierundzwanzig) Monate ab dem Datum der Lieferung an den Erstkäufer im Einzelhandel zu den folgenden Bedingungen:

WAS IST VERSICHERT:

Produkt oder Teile davon, die Material- oder Verarbeitungsfehler aufweisen.

WAS IST NICHT VERSICHERT:

Diese Garantie erstreckt sich nicht auf Mängel, die auf die Vernachlässigung anderer zurückzuführen sind; Nichteinbau, Betrieb oder Wartung des Geräts unter Beachtung der Anweisungen (Betriebs- und Wartungsanweisungen werden mit jedem neuen Gerät mitgeliefert); unsachgemäße Verwendung, Bedienung, Änderung, Verwendung nicht autorisierter oder nicht standardisierter TOYOTOMI-Teile und -Zubehöerteile; elektrische Fehlfunktionen, d.h. als Folge von großen Stromstößen, Kurzschlüssen usw.; unsachgemäße Installation oder Reparatur durch eine andere Person als eine von TOYOTOMI angegebene Serviceeinrichtung.

WER IST VERSICHERT:

Der ursprüngliche Käufer zum Verkaufspreis.

WAS WIR UNTERNEHMEN WERDEN:

TOYOTOMI repariert oder ersetzt nach eigenem Ermessen kostenlos alle defekten Teile, die unter diese beschränkte Garantie fallen, auf Carry-In-Basis bei Ihrem nächsten autorisierten Händler oder Händler von TOYOTOMI.

WAS SIE FÜR DEN GARANTIE-SERVICE TUN MÜSSEN:

Sie müssen das defekte Produkt oder Teil an einen autorisierten Händler oder Vertriebspartner von TOYOTOMI mit dieser beschränkten Garantie zurücksenden. Wenn der Service vor Ort nicht verfügbar ist, wenden Sie sich bitte an unsere Abteilung für KUNDENBEZIEHUNGEN unter:

TOYOTOMI EUROPE SALES B.V.

E-MAIL: info@toyotomi.eu
INTERNET: www.toyotomi.eu

IM VORSTEHENDEN SIND ALLE VERPFLICHTUNGEN UND HAFTUNGEN VON TOYOTOMI, IN BEZUG AUF DIE QUALITÄT DER VON IHR GELIEFERTEN PRODUKTE AUFGEFÜHRT. ALLE ANDEREN AUSDRÜCKLICHEN ODER STILLSCHWEIGENDEN GARANTIEEN, EINSCHLIESSLICH DER GARANTIEEN DER MARKTGÄNGIGKEIT ODER DER EIGNUNG FÜR EINEN BESTIMMTEN ZWECK, SIND AUSGESCHLOSSEN. TOYOTOMI IST NICHT HAFTBAR FÜR DIE NICHT NUTZBARKEIT DES PRODUKTS, UNANNEHMlichkeiten, VERLUSTE ODER ANDERE SCHÄDEN, DIE SICH DIREKT ODER INDIREKT AUS DER BENUTZUNG ODER DER UNFÄHIGKEIT DER BENUTZUNG DES PRODUKTS ERGEBEN, ODER SCHÄDEN, DIE SICH AUS ODER AUFGRUND VON FEHLERHAFTEN PRODUKTEN ERGEBEN.

Kein anderer als TOYOTOMI ist befugt, die Bedingungen dieser eingeschränkten Garantie in irgendeiner Weise zu erweitern oder zu ändern.

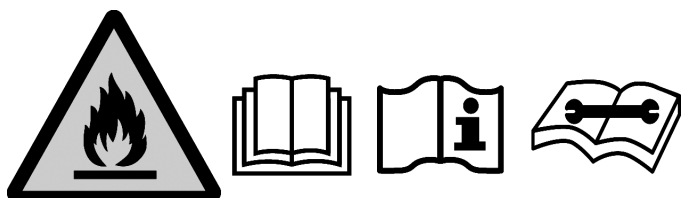
In einigen Ländern ist der Ausschluss oder die Einschränkung von zufälligen oder Folgeschäden oder Einschränkungen der Dauer einer stillschweigenden Garantie nicht zulässig. Daher gelten diese Einschränkungen oder Ausschlüsse möglicherweise nicht für Sie. Diese beschränkte Garantie gibt Ihnen spezifische gesetzliche Rechte und Sie können auch andere Rechte haben, die von Staat zu Staat unterschiedlich sind.

TOELICHTING BIJ DE SYMBOLEN

-  Het apparaat is gevuld met brandbaar gas R290.
-  Lees vóór ingebruikneming van het apparaat de gebruiksaanwijzing.
-  Lees vóór installatie van het apparaat de installatiehandleiding.
-  Lees vóór reparatie van het apparaat de servicehandleiding.

VERKLARING

- Lees voor gebruik van dit apparaat zorgvuldig deze gebruiksaanwijzing en bewaar deze om hem later te kunnen raadplegen.
- Installeer dit apparaat alleen als het voldoet aan lokale/nationale wetgeving, verordeningen en normen.
- Dit product is bestemd voor gebruik als ontvochtiger in woonhuizen en is uitsluitend geschikt voor gebruik binnen op een droge plaats, onder normale huishoudelijke omstandigheden, in de woonkamer, keuken of garage.
- De ontvochtiger NIET in badkamers plaatsen of in andere ruimten waar het apparaat in aanraking kan komen met waterspatten.
- Dit product altijd aansluiten op een monofasig stopcontact van 220-240 V / ~50 Hz.
- Bij het niet naleven van de instructies kan de garantie op dit apparaat vervallen.
- Volg de instructies van de fabrikant voor gebruik en reparatie strikt op!



Caution, risk of fire, R290

VEILIGHEIDSWAARSCHUWINGEN

- Neem bij gebruik van het apparaat de volgende veiligheidsmaatregelen in acht:
1. Verwijder vóór reiniging of opslag van het apparaat de voedingskabel uit het stopcontact.
 2. Het apparaat is geschikt voor gebruik binnen, maar mag niet worden gebruikt in wasruimten.
 3. Plaats het apparaat NIET in de nabijheid van warmte producerende apparaten of in de buurt van brandbare en gevaarlijke materialen.
 4. Steek NOOIT vingers of voorwerpen in de luchtinlaat of luchtafvoer.
 5. Ga NIET op het apparaat zitten of staan.
 6. Verwijder het water uit de afvoertank wanneer dit nodig is.
 7. Gebruik de ontvochtiger NIET in een afgesloten ruimte, zoals in een kast, aangezien hierdoor brand kan ontstaan.
 8. Plaats het apparaat NIET in de buurt van eetbare producten, siervoorwerpen of wetenschappelijk materiaal.
 9. Zorg dat de afvoerpijp omlaag loopt, zodat er doorlopend condenswater kan worden afgevoerd.
 10. Als het netsnoer beschadigd is, moet dit door de fabrikant of een vergelijkbaar gekwalificeerd persoon vervangen worden om mogelijk risico te voorkomen.
 11. Het apparaat dient zo te worden neergezet dat de stekker toegankelijk is.
 12. Houd voor een goede luchtcirculatie een vrije ruimte van 20 cm aan tussen het apparaat en de muur of andere voorwerpen.
 13. Het apparaat moet worden geïnstalleerd conform de nationale bedradingsvoorschriften.
 14. Dit apparaat mag niet worden gebruikt in het openbaar vervoer.
 15. Dit apparaat mag worden gebruikt door kinderen vanaf 8 jaar en ouder, door

personen met fysieke, zintuiglijke of verstandelijke beperkingen of door personen met gebrek aan ervaring en kennis, mits zij onder toezicht staan of instructies hebben gekregen over het gebruik van het apparaat en mits zij begrijpen wat de mogelijke gevaren zijn. Kinderen mogen niet met het apparaat spelen. Kinderen mogen het apparaat niet schoonmaken of onderhoud uitvoeren als er geen toezicht is.

16. Kinderen moeten toezicht hebben om te voorkomen dat ze niet met het toestel gaan spelen.
17. Apparaten met duidelijke schade mogen niet worden gebruikt.

WAARSCHUWING

Specifieke informatie ten aanzien van apparaten met R290 koelgas:

- Het apparaat is gevuld met brandbaar gas R290.
- R290 is een koelgas dat voldoet aan de Europese milieuriichtlijnen. Het is een natuurlijk, niet-giftig koelmiddel (propan) dat de ozonlaag niet aantast, met een zeer lage GWP (global warming potential) van 3.
- Het koelcircuit nergens doorboren.
- Gebruik geen middelen om het ontdooiingsproces te versnellen of om te reinigen, behalve de door de fabrikant aanbevolen middelen.
- Het apparaat moet worden opgeslagen in een ruimte zonder continu werkende ontstekingsbronnen (bijvoorbeeld: open vuur, een werkend gastoestel of een werkend elektrisch verwarmingstoestel).
- NIET doorboren of verbranden.
- Let erop dat koelmiddelen geen geur mogen bevatten.
- Het apparaat dient te worden geïnstalleerd, gebruikt en opgeslagen in een ruimte met een oppervlakte van meer dan 4 m².
- Bij installatie, gebruik of opslag van het apparaat in een ongeventileerde ruimte moet deze ruimte zo zijn ingericht dat er zich geen gelekt koelmiddel kan ophopen, resulterend in brandgevaar door ontbranding van het koelmiddel door elektrische verwarmingstoestellen, kachels of andere ontstekingsbronnen.
- Het apparaat moet voldoen aan de nationale gasvoorschriften.
- Onderhoud dient altijd te worden uitgevoerd in overeenstemming met de aanwijzingen van de fabrikant.
- Het apparaat dient zodanig te worden opgeslagen dat mechanische schade wordt voorkomen.
- Elke persoon die werkt aan een koelcircuit of het openmaakt, moet een op dat moment geldig certificaat hebben van een door de bedrijfstak goedgekeurde beoordelingsinstantie, die erkent dat de betreffende persoon de deskundigheid heeft om veilig om te kunnen gaan met koelmiddelen conform een door de bedrijfstak goedgekeurde beoordelingspecificatie.
- Onderhoud mag alleen worden uitgevoerd zoals door de fabrikant is aanbevolen. Onderhoud en reparatie waarbij de hulp van ander deskundig personeel nodig is, moeten worden uitgevoerd onder toezicht van iemand die deskundig is in het werken met brandbare koelmiddelen.
- Neem bij alle noodzakelijke reparaties contact op met het dichtstbijzijnde erkende servicecentrum en volg uitsluitend de instructies van de fabrikant strikt op.

WAARSCHUWING AFVALVERWIJDERING

Dit apparaat mag niet worden afgevoerd bij het huisvuil. Dit product kan op verschillende manieren worden afgevoerd.

- 1 Dit product NIET aanbieden als ongesorteerd huisvuil. Dit soort producten moet gescheiden worden afgevoerd voor spe-

ciale verwerking.

- 2 De gemeente heeft hiervoor speciale inzamelpunten ingericht, waar gebruikers hun elektronische producten gratis kunnen inleveren.
- 3 De fabrikant neemt het oude apparaat terug voor verwerking, zonder kosten voor de gebruiker.
- 4 Aangezien oude producten waardevolle grondstoffen bevatten, kunnen ze ook worden verkocht aan een schroothandelaar.

Het illegaal storten van afval in bossen en landschappen brengt uw eigen gezondheid in gevaar. Hierdoor kunnen gevaarlijke stoffen in het grondwater terechtkomen en uiteindelijk in de voedselketen. Betekenis van het symbool met de doorgekruiste container. Elektrische apparaten NIET afvoeren als ongesorteerd huisvuil, maar afgeven bij inleverpunten voor gescheiden inzameling. Neem contact op met uw gemeente voor informatie over inleverpunten. Uit elektrische apparaten die op stortplaatsen terechtkomen, kunnen gevaarlijke stoffen lekken die via het grondwater in de voedselketen terechtkomen, met schadelijke gevolgen voor uw gezondheid en welzijn.



Dit symbool geeft aan dat dit product in de EU niet bij het gewone huisvuil mag worden afgevoerd. Om mogelijke schade aan het milieu of de volksgezondheid door ongecontroleerde afvalverwijdering te voorkomen, dient dit product op verantwoorde wijze te worden gerecycled om duurzaam hergebruik van grondstoffen te bevorderen.

Voor het inleveren van uw gebruikte apparaat kunt u gebruik maken van het inleveren inzamelsysteem of contact opnemen met de winkel waar het product gekocht is. Deze winkel kan dit product op milieuveilige wijze afvoeren voor recycling.

R290: 3

ALGEMEEN

Sluit voor een optimale prestatie en maximaal rendement van uw ontvochtiger alle ramen.

De capaciteit van de ontvochtiger is afhankelijk van de temperatu-

ur en vochtigheid in de ruimte; bij lagere temperaturen wordt minder vocht afgevoerd.

FUNCTIES

Krachtig luchtontvochtigingsvermogen

De ontvochtiger maakt gebruik van koeltechnologie en verwijdert op krachtige wijze vocht uit de lucht om het vochtigheidsniveau in de ruimte te verlagen en de binnenlucht droog en comfortabel te houden.

Lichtgewicht draagbaar design

De ontvochtiger is compact en licht. Dankzij de zwenkwielen aan de onderzijde van het apparaat is dit gemakkelijk van de ene naar de andere ruimte te verplaatsen.

Werking bij lage temperatuur met automatische ontdooiing

Als het apparaat werkt bij een kamertemperatuur tussen 7°C en 12°C, stopt het apparaat elke 30 minuten om te ontdooien.

Als het apparaat werkt bij een kamertemperatuur tussen 12°C en 20°C, stopt het apparaat elke 45 minuten om te ontdooien.

Aanpasbare vochtigheidsregelaar

Selecteer het gewenste vochtigheidsniveau met de vochtigheidsregelaar.

Timer aan/uit

Programmeer het apparaat om automatisch in- en uit te schakelen.

Stille werking

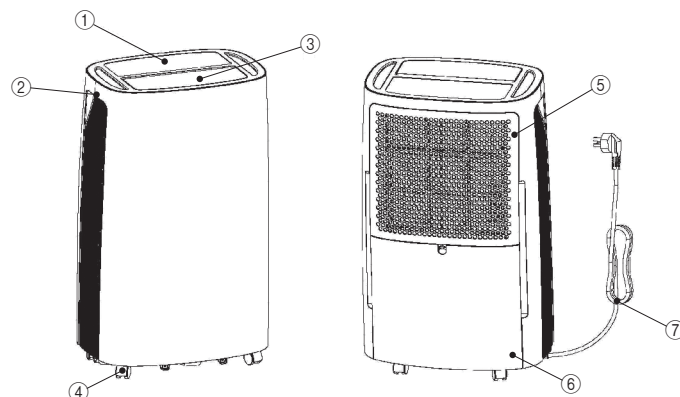
De ontvochtiger werkt met een laag geluidsniveau.

Energiezuinig

Het apparaat heeft een laag energieverbruik.

1. BESCHRIJVING

VAN ONDERDELEN



1. Bedieningspaneel

4. Zwenkwiel

7. Voedingskabel

2. Handgreep

5. Filterkast

3. Windscherm

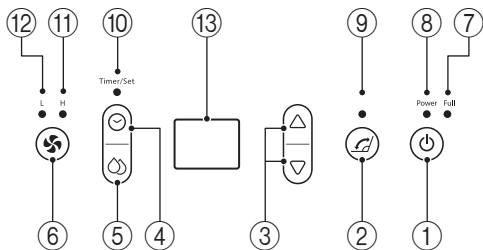
6. Watertank

OPTIONEEL



1. Afvoerslang

BEDIENINGSPANEEL



- | | |
|------------------------------------|------------------------------------|
| 1. Aan/uit-toets | 2. Zwenkknop |
| 3. Afsteltoets | 4. Timertoets |
| 5. Insteltoets | 6. Toets voor ventilatorsnelheden |
| 7. Indicatielampje voor water vol | 8. Voedingslampje |
| 9. Zwenklampje | 10. Lampje ingestelde timer |
| 11. Lampje hoge ventilatorsnelheid | 12. Lampje lage ventilatorsnelheid |
| 13. Indicatiepaneel | |

2. MODUS

Vochtighheidsniveau en 2-cijferig timerdisplay



De indicator heeft de drie volgende functies:

1. Na inschakelen geeft het apparaat de luchtvochtigheid in de ruimte aan.
2. Als u de vochtigheid instelt, geeft de indicator het vochtigheidsniveau aan dat u hebt ingesteld.
3. Als u de tijd programmeert voor het apparaat om automatisch in- en uit te schakelen, toont de indicator deze tijden.
4. Als de omgevingsvochtigheid lager dan 35% is, toont de indicator "35".
5. Als de omgevingsvochtigheid hoger dan 95% is, toont de indicator "95".

3. BEDIENINGSINSTRUCTIES

Het voedingsindicatielampje gaat aan als het apparaat aangesloten wordt, ongeacht of het apparaat al dan niet in werking is.

1. In-/uitschakelen

Druk op om het apparaat te starten, wanneer het apparaat is gestopt; of druk op om het uit te schakelen, wanneer het apparaat in bedrijf is.

2. Vochtighheidsinstelling

Druk op de toets om de luchtvochtigheid in te stellen, druk vervolgens op of om de luchtvochtigheid aan te passen van 40% tot 80%, iedere instelling is 5%, het LED-lampje zal knipperen op het display bij de aanpassing. Stop met drukken voor 5 seconden, en het display zal terugkeren naar normaal. De standaard luchtvochtigheid is 40%.

3. Instelling ventilatorsnelheid

Druk op de om de ventilatorsnelheid in te stellen op snel of langzaam, en het bijbehorende lampje voor de ventilatorsnelheid gaat branden.

4. Zwenkinstelling

Nadat het apparaat is ingeschakeld, drukken op om het zwenken van de luchtuitlaatschoep te starten of stoppen.

5. Tijd instelling

Druk op om de starttijd in te stellen wanneer het apparaat is gestopt, vervolgens zal het LED-lampje worden weergegeven, u kunt drukken op de of knop om de automatische starttijd aan te passen van 1 tot 24 uur. Druk op om de instelstatus van de uitschakeltijd in te voeren wanneer het apparaat draait, dan zal de LED de tijd weergeven, u kunt drukken op de of om de automatische stoptijd aan te passen van 1 tot 24 uur. De geprogrammeerde tijd blijft ongewijzigd als het apparaat stopt met werken vanwege vol water of tijdens het ontdooien. Eenmaal in- of uitgeschakeld door de gebruiker, kan het apparaat

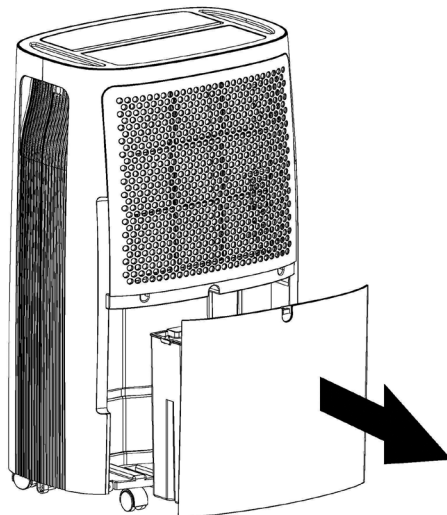
at de timingfunctie verliezen.

4. HET VERZAMELDE WATER AFVOEREN

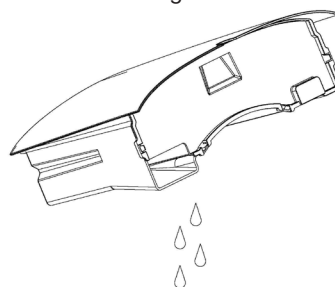
Als de afvoertank vol is, gaat het indicatielampje voor een volle tank aan en de zoemer piept 15 keer om de gebruiker te waarschuwen. Het water moet uit de afvoertank verwijderd worden. De werking stopt automatisch.

5. DE AFVOERTANK LEGEN

1. Druk met beide handen licht op de zijkanten van de tank en haal deze er voorzichtig uit.

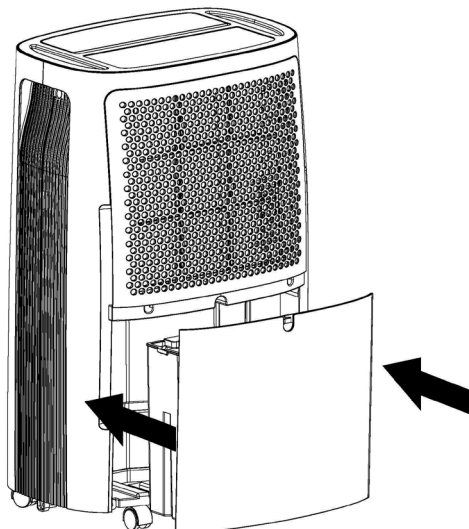


2. Gooi het verzamelde water weg.



LET OP

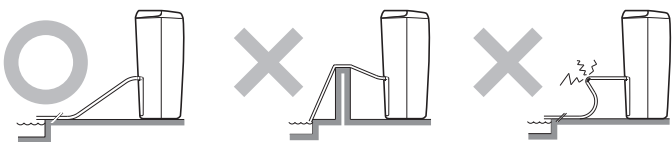
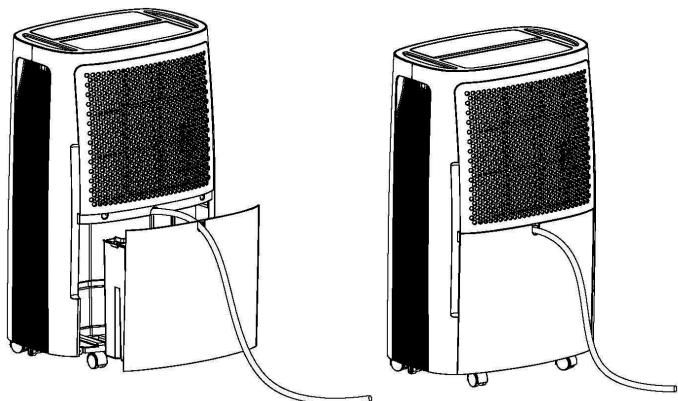
1. Als de afvoertank vuil is, was deze dan met koud of lauw water. Gebruik geen reinigingsmiddel, schuursponsjes, chemisch behandelde doekjes, benzine, benzeen, verdunner of andere oplosmiddelen. Deze kunnen de tank bekrassen en beschadigen en waterlekkage veroorzaken.
2. Als u de afvoertank terugplaatst, druk deze dan met beide handen stevig op zijn plaats. Als de tank niet juist geplaatst wordt, wordt de "TANK FULL"-sensor geactiveerd en werkt de ontvochtiger niet.



6. DOORLOPENDE WATERAFVOER

Het apparaat beschikt over een afvoeropening voor doorlopende afvoer. Gebruik een plastic buis (met een binnendiameter van 10 mm). Sluit de afvoerbuis aan op de afvoeropening (in tussenplaat) en leid de buis in de juiste richting.

Het water in de afvoertank kan doorlopend worden afgevoerd via de afvoeropening in het apparaat voor doorlopende afvoer.



7. ONDERHOUD

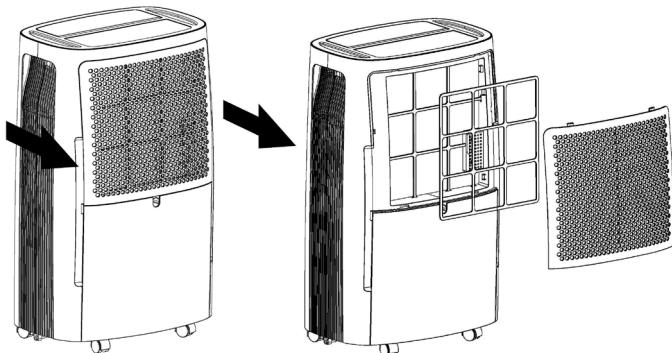
De ontvochtiger schoonmaken

De behuizing schoonmaken

Neem deze af met een zachte vochtige doek.

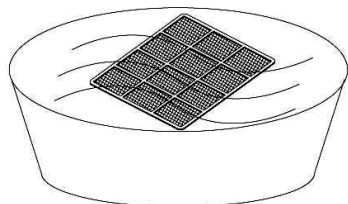
Het luchtfilter schoonmaken

1. Open eerst het inlaatrooster en verwijder het luchtfilter.



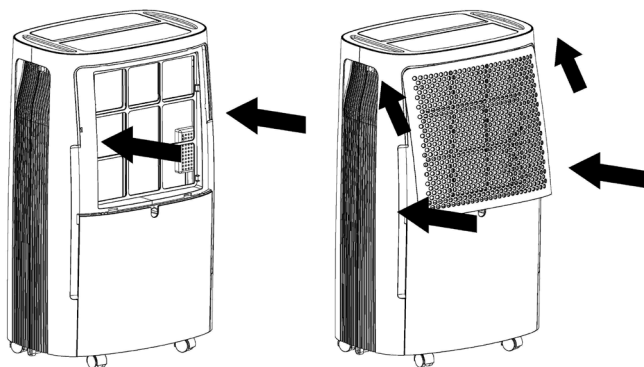
2. Maak het luchtfilter schoon

Ga met een stofzuiger licht over het oppervlak van het luchtfilter om vuil te verwijderen. Als het luchtfilter erg vuil is, was dit dan met warm water en een mild reinigingsmiddel en laat het goed drogen.



3. Bevestig het luchtfilter

Steek het filter rustig in het apparaat en zet het inlaatrooster op zijn plaats.



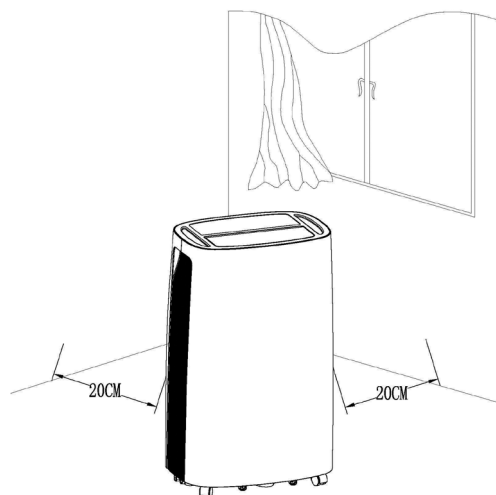
De ontvochtiger opbergen

Berg het apparaat op deugdelijke wijze op als dit gedurende langere tijd niet gebruikt wordt. Volg hierbij de volgende stappen:

1. Gooi eventueel water dat nog in de afvoertank zit weg.
2. Rol de stroomkabel op en stop deze in de watertank.
3. Maak het luchtfilter schoon.
4. Berg het apparaat op op een koele, droge plek.

Vrije ruimte

Zorg dat tijdens de werking van het apparaat de minimaal vereiste ruimte rondom het apparaat in acht wordt genomen, zoals getoond in de afbeelding links.



8. PROBLEEMOPLOSSING

Als een van onderstaande situaties zich voordoet, controleer dan de volgende items alvorens u contact opneemt met de klantenservice.

Probleem	Mogelijke oorzaak	Oplossing
Het apparaat werkt niet	Is de voedingskabel uit het stopcontact gehaald?	Steek de voedingskabel in het stopcontact.
	Knippert het indicatielampje voor een volle tank? (De tank is vol of is niet juist geplaatst.)	Gooi het water in de afvoertank weg en plaats de tank terug.
	Is de temperatuur van de ruimte hoger dan 35°C of lager dan 7°C?	De beveiliging is geactiveerd en het apparaat kan niet gestart worden.
De ontvochtigingsfunctie werkt niet	Is het luchtfilter verstopt?	Maak het luchtfilter schoon zoals beschreven onder "De ontvochtiger schoonmaken".
	Is de luchtafvoer of luchtinlaat geblokkeerd?	Verwijder de obstructie van de luchtafvoer of luchtinlaat.
Er wordt geen lucht afgevoerd	Is het luchtfilter verstopt?	Maak het luchtfilter schoon zoals beschreven onder "De ontvochtiger schoonmaken".
De werking is lawaaiig	Is het apparaat gekanteld of staat dit onstabiel?	Plaats het apparaat op een stabiele, stevige locatie.
	Is het luchtfilter verstopt?	Maak het luchtfilter schoon zoals beschreven onder "De ontvochtiger schoonmaken".

9. OPMERKING T.A.V. ONDERHOUDSWERK

1. Controles van de omgeving

Voor aanvang van werk aan systemen met brandbare koelmiddelen zijn er veiligheidscontroles nodig om het risico op brand te minimaliseren. Bij reparaties aan het koelsysteem moeten de volgende voorzorgsmaatregelen in acht worden genomen voordat werk aan het systeem wordt uitgevoerd.

Werkprocedure

Werk moet volgens een gecontroleerde procedure worden uitgevoerd om het risico te minimaliseren dat er een brandbaar gas of damp aanwezig is terwijl het werk wordt uitgevoerd.

2. Algemene werkomgeving

Alle onderhoudspersoneel en anderen die in de buurt werken, moeten worden ingelicht over de aard van het werk dat wordt uitgevoerd. Vermijd het werken in beperkte ruimten. De omgeving rond de werkruimte dient te worden afgezet. Zorg ervoor dat de omstandigheden in de ruimte veilig zijn door het gebruik van brandbaar materiaal te beperken.

3. Controle op de aanwezigheid van koelmiddel

De ruimte moet voor en tijdens het werk worden gecontroleerd met een geschikte detector voor koelmiddel om ervoor te zorgen dat de monteur op de hoogte is van een mogelijk brandbare atmosfeer. Zorg ervoor dat de gebruikte detectieapparatuur voor lekkages geschikt is voor gebruik met brandbare koelmiddelen, d.w.z. vonkvrij, goed afgedicht of intrinsiek veilig.

4. Aanwezigheid van een brandblusser

Als er werk aan de koelapparatuur of bijbehorende onderdelen moet worden uitgevoerd waarbij warmte vrijkomt, moet er direct geschikt brandblusmateriaal beschikbaar zijn. Er moet een poeder- of CO₂-brandblusser aanwezig zijn in het gebied waar gevuld wordt.

5. Geen ontstekingsbronnen

Iemand die werk uitvoert aan een koelsysteem waarbij leidingswerk betrokken is dat brandbaar koelmiddel bevat of heeft bevat, mag niet op een zodanige manier ontstekingsbronnen gebruiken dat dit kan leiden tot risico's op brand of explosie. Alle mogelijke ontstekingsbronnen, inclusief roken, moeten voldoende ver weg blijven van de plaats van installatie, reparatie of verwijdering zolang er brandbaar koelmiddel kan ontsnappen naar de omliggende ruimte. Voordat het werk plaatsvindt, moet de ruimte rond de apparatuur worden onderzocht om zeker te zijn dat er geen brandgevaar of ontstekingsrisico's zijn. Er moeten "Niet roken"-borden worden geplaatst.

6. Geventileerde ruimte

Zorg ervoor dat het gebied in de open lucht is of dat het voldoende geventileerd wordt voordat u het systeem openmaakt of werk uitvoert waarbij warmte vrijkomt. Tijdens de periode dat het werk wordt uitgevoerd, moet voortdurend in zekere mate geventileerd worden. De ventilatie moet eventueel vrijgekomen koelmiddel veilig verspreiden en bij voorkeur naar buiten afvoeren in de buitenlucht.

7. Controles van de koelmiddelapparatuur

Als elektrische onderdelen worden vervangen, moeten deze geschikt zijn voor hun doel en de juiste specificatie hebben. De onderhoudsrichtlijnen van de fabrikant moeten te allen tijde worden opgevolgd. Bij twijfel kunt u voor advies contact opnemen met de technische dienst van de fabrikant.

De volgende controles moeten worden uitgevoerd bij installaties die brandbare koelmiddelen gebruiken:

- De grootte van de vulapparatuur moet in overeenstemming zijn met de afmetingen van de ruimte waarin de onderdelen die koelmiddel bevatten zijn gemonteerd;
- De ventilatieapparatuur en uitlaten werken afdoende en zijn niet geblokkeerd.

8. Controles van elektrische apparaten

Bij reparatie en onderhoud aan elektrische onderdelen moeten veiligheidscontroles en procedures voor inspectie van onderdelen worden uitgevoerd. Als er een storing is die de veiligheid in gevaar brengt, mag er geen elektrische voeding worden aangesloten op het circuit, totdat de storing naar behoren is verholpen. Als de storing niet onmiddellijk kan worden verholpen maar het nodig is dat de apparatuur blijft werken, moet er een afdoende tijdelijke oplossing worden gebruikt. De eigenaar van de apparatuur moet worden ingelicht, zodat alle partijen hierover zijn geïnformeerd.

De eerste veiligheidscontroles houden onder andere in dat:

- De condensatoren ontladen zijn; dit moet op een zodanig veilige manier gebeuren dat er geen vonken ontstaan;
- Er geen elektrische onderdelen en bedrading zijn die onder spanning staan tijdens het vullen, terugwinnen of doorspelen van het systeem;
- Er doorlopend verbinding met de aarde is.

9. Reparaties aan afgedichte onderdelen

Tijdens reparaties aan afgedichte onderdelen moeten alle elektrische voedingen worden losgekoppeld van de apparatuur waaraan gewerkt wordt, voordat afdekkingen e.d. worden verwijderd.

Als het absoluut noodzakelijk is dat er tijdens het onderhoud een elektrische voeding is naar de apparatuur, dan moet er een doorlopend werkende vorm van lekdetectie worden aangebracht op het meest kritische punt om te waarschuwen voor mogelijk gevaarlijke situaties.

In het bijzonder moet er aandacht aan worden besteed dat bij werkzaamheden aan elektrische onderdelen de behuizing niet zodanig wordt gewijzigd dat het beschermingsniveau wordt aangetast. Hieronder wordt tevens verstaan schade aan kabels, overmatig aantal aansluitingen, niet originele aansluitklemmen, schade aan afdichtingen, onjuist aanbrengen van doorvoeringen, enz.

Zorg ervoor dat de apparatuur stevig gemonteerd is.

Zorg ervoor dat afdichtingen of afdichtingsmateriaal niet zodanig zijn verweerd dat ze niet langer geschikt zijn om het binnendringen van brandbare gassen te voorkomen. Vervangende onderdelen moeten overeenkomen met de specificaties van de fabrikant.

OPMERKING: Het gebruik van siliconenkit kan de effectiviteit van sommige typen detectieapparatuur voor lekkages negatief beïnvloeden. Intrinsiek veilige onderdelen hoeven niet te worden afgeschermd voordat er aan gewerkt wordt.

10. Reparaties aan intrinsiek veilige onderdelen

Breng niet een permanente inductieve belasting of belasting-capaciteit aan op het circuit zonder ervoor te zorgen dat deze niet de toelaatbare spanning en stroom voor de gebruikte apparatuur overschrijdt.

Intrinsiek veilige onderdelen zijn de enige onderdelen waaraan gewerkt mag worden in de buurt van brandbare gassen, terwijl er spanning op staat. De testapparatuur moet de juiste specificaties hebben.

Vervang onderdelen alleen door onderdelen die door de fabrikant zijn voorgeschreven. Andere dan de door de fabrikant voorgeschreven onderdelen kunnen ontbranding van koelmiddel veroorzaken dat door een lek in de lucht is terechtgekomen.

11. Bekabeling

Controleer dat de bekabeling niet wordt blootgesteld aan slijtage, corrosie, overmatige druk, trillingen, scherpe randen of andere negatieve effecten uit de omgeving. De controle moet ook rekening houden met het effect van veroudering of doorlopen-de trillingen van bronnen zoals compressoren of ventilatoren.

12. Detectie van lekken van brandbare koelmiddelen

Onder geen enkele omstandigheid mogen mogelijke ontstekingsbronnen worden gebruikt bij het zoeken naar of detecteren van lekkages van koelmiddel. Een halogenide fakkelt (of elke andere detector met een onafgeschermd vlam) mag niet worden gebruikt.

13. Methodes voor lekdetectie

De volgende methodes voor lekdetectie zijn toegestaan voor koelsystemen met brandbaar koelmiddel.

Er moeten elektronische lekdetectoren worden gebruikt voor het detecteren van brandbare koelmiddelen, maar het kan zijn dat de gevoeligheid niet afdoende is of opnieuw gekalibreerd moet worden (detectieapparatuur moet worden gekalibreerd in een ruimte zonder koelmiddel). Zorg ervoor dat de detector niet een mogelijke ontstekingsbron is en geschikt is voor het gebruikte koelmiddel.

Voor de meeste koelmiddelen kunnen vloeistoffen voor lekdetectie worden gebruikt, maar gebruik van reinigingsmiddelen met chloor moet worden vermeden omdat de chloor kan reageren met het koelmiddel en de koperen leidingen kan corroderen.

Als er een lek wordt vermoed, moeten alle onafgeschermd vlammen worden verwijderd/gedoofd.

Als er een lekkage van koelmiddel is ontdekt waarvoor soldeerwerk nodig is, moet alle koelmiddel uit het systeem worden verwijderd. Er moet dan zuurstofvrije stikstof (OFN) door het systeem worden gespoeld zowel voor als tijdens de soldeerwerkzaamheden.

14. Verwijdering en leegmaken

Als het koelcircuit moet worden geopend voor reparaties – of voor andere doeleinden – moeten de conventionele procedures worden gebruikt. Het is echter belangrijk dat de beste methode wordt gebruikt omdat de brandbaarheid in overweging moet worden genomen. De volgende procedure moet worden gevolgd:

verwijder koelmiddel;
spoel het circuit met inert gas;
leegmaken;
spoel nogmaals met inert gas;
open het circuit door zagen of solderen.

De vulling van koelmiddel moet worden opgevangen in de juiste cilinders voor terugwinning. Het systeem moet worden "gespoeld" met OFN om de unit veilig te maken. Het kan zijn dat dit proces een paar keer moet worden herhaald. Voor deze taak mag geen perslucht of zuurstof worden gebruikt.

Het doorspoelen moet worden uitgevoerd door het vacuüm in het systeem met OFN op te heffen en door te gaan met vullen tot de bedrijfsdruk is bereikt, daarna naar de buitenlucht te ventileren en tenslotte een vacuüm te trekken. Dit proces moet worden herhaald tot er geen koelmiddel meer in het systeem aanwezig is. Als het systeem voor de laatste keer met OFN is gevuld, moet het worden doorgespoeld tot atmosferische druk, zodat de werkzaamheden plaats kunnen vinden.

Deze uitvoering is absoluut cruciaal als er gesoldeerd moet worden aan de leidingen. Zorg ervoor dat de uitlaat van de vacuümpomp zich niet dicht bij een ontstekingsbron bevindt en dat er ventilatie aanwezig is.

15. Vulprocedures

In aanvulling op de normale vulprocedures moeten de volgende voorschriften worden opgevolgd.

- Zorg ervoor dat er geen vervuiling van verschillende koelmiddelen optreedt bij het gebruik van de vulapparatuur. Slangen of leidingen moeten zo kort mogelijk zijn om de hoeveelheid koelmiddel die ze bevatten te minimaliseren.
- Cilinders moeten rechtop worden gehouden.
- Zorg ervoor dat het koelsysteem geaard is voordat het systeem met koelmiddel wordt gevuld.
- Breng labels aan op het systeem als het compleet gevuld is (tenzij ze reeds aanwezig zijn).
- Er moet heel goed voor worden gezorgd dat het koelsysteem niet te veel gevuld wordt.

Voordat het systeem opnieuw wordt gevuld, moet een druktest met OFN worden uitgevoerd. Het systeem moet na het vullen, maar voor de inbedrijfstelling, worden getest op lekkages. Voordat de locatie wordt verlaten, moet er nog een vervolgstest op lekkage worden uitgevoerd.

16. Buitenbedrijfstelling

Voordat deze procedure wordt uitgevoerd, is het essentieel dat de monteur volledig bekend is met de apparatuur en alle details. Het is een aanbevolen goede werkwijze dat alle koelmiddelen veilig worden teruggewonnen. Voordat de taak wordt uitgevoerd, moet er een monster van de olie en het koelmiddel worden genomen, indien er een analyse nodig is om het teruggewonnen koelmiddel te kunnen hergebruiken. Het is essentieel dat er stroom beschikbaar is voordat de taak wordt uitgevoerd. Zorg ervoor dat u bekend bent met de apparatuur en zijn werking.

- a) Isoleer het systeem elektrisch.
- b) Voordat u de procedure gaat uitvoeren, moet u ervoor zorgen dat: er zo nodig apparatuur voor mechanische bewerking aanwezig is voor het werken met cilinders met koelmiddel; alle persoonlijke beschermingsmiddelen aanwezig zijn en juist worden gebruikt; het terugwinningsproces doorlopend door een deskundig persoon wordt bewaakt; de apparatuur en cilinders voor terugwinning voldoen aan de van toepassing zijnde normen.
- c) Pomp het koelsysteem zo mogelijk leeg.
- d) Als een vacuüm niet mogelijk is, moet er een verdeelleiding worden gemaakt, zodat het koelmiddel uit de diverse onderdelen van het systeem kan worden verwijderd.
- e) Zorg ervoor dat de cilinder op de weegschaal staat, voordat de terugwinning plaatsvindt.
- f) Start de machine voor terugwinning en werk volgens de instructies van de fabrikant.
- g) Vul de cilinders niet te veel (niet meer dan 80% van het volume gevuld met vloeistof).
- h) Overschrijd de maximale bedrijfsdruk van de cilinder niet, zelfs niet tijdelijk.
- i) Als de cilinders op de juiste manier zijn gevuld en het proces afgerond is, moeten de cilinders en apparatuur direct van de locatie worden afgevoerd en alle afsluitventielen op de apparatuur worden gesloten.
- j) Teruggewonnen koelmiddel mag niet worden gebruikt voor vulling van een ander koelsysteem voordat het is gereinigd en gecontroleerd.

17. Etikettering

De apparatuur moet worden voorzien van een label waarop staat dat deze buiten bedrijf is gesteld en het koelmiddel is verwijderd. Het label moet worden gedateerd en ondertekend. Zorg ervoor dat er op de apparatuur labels zitten die aangeven dat de apparatuur brandbaar koelmiddel bevat.

18. Terugwinning

Bij het verwijderen van koelmiddel uit een systeem, hetzij voor onderhoud dan wel buitenbedrijfstelling, is een aanbevolen goede werkwijze dat alle koelmiddel veilig wordt verwijderd.

Bij het overbrengen van koelmiddel in de cilinders moet u ervoor zorgen dat alleen juiste cilinders voor teruggewonnen koelmiddel worden gebruikt. Zorg ervoor dat het juiste aantal cilinders beschikbaar is voor het opvangen van de totale hoeveelheid in het systeem. Alle gebruikte cilinders moeten geschikt zijn voor het teruggewonnen koelmiddel en worden voorzien van labels voor dat koelmiddel (d.w.z. speciale cilinders voor de terugwinning van koelmiddel). Cilinders moeten voorzien zijn van overdrukklep en bijbehorende afsluitkleppen en in goede staat verkeren. Cilinders voor terugwinning moeten leeg zijn gemaakt en zo mogelijk worden gekoeld voordat de terugwinning plaatsvindt.

De terugwinningsapparatuur moet in goede staat verkeren met

een set instructies voorhanden over de apparatuur en moet geschikt zijn voor de terugwinning van brandbaar koelmiddel. Daarnaast moet er een set geijkte weegschalen aanwezig zijn die in goede staat verkeren. Slangen moeten compleet zijn met lekvrije verbindingkoppelingen en in goede staat verkeren. Voordat u de terugwinningsapparatuur gebruikt, moet worden gecontroleerd dat deze in voldoende goede staat verkeert, juist onderhouden is en dat alle bijbehorende elektrische onderdelen zijn afgedicht om ontbranding te voorkomen als er koelmiddel is vrijgekomen. Neem bij twijfel contact op met de fabrikant.

Het teruggewonnen koelmiddel moet teruggestuurd worden naar de leverancier van het koelmiddel in de juiste cilinder en voorzien van het betreffende afvalverzendformulier. Meng koelmiddelen niet in de terugwinningseenheden en zeker niet in cilinders.

Als compressoren of compressorolie moeten worden verwijderd, moet u ervoor zorgen dat ze op een acceptabel niveau zijn geleegd, zodat zeker is dat er geen brandbaar koelmiddel bij het smeermiddel aanwezig is. Dit proces van leegmaken moet worden uitgevoerd voordat de compressor naar de leverancier wordt teruggezonden. Om dit proces te versnellen mag alleen elektrische verwarming op de compressorbehuizing worden gebruikt. Als de olie uit een systeem wordt afgetapt, moet dit veilig gebeuren.

19. Vervoer van apparatuur die brandbaar koelmiddel bevat

Bepaald door lokale voorschriften.

20. Afdankte apparatuur die brandbaar koelmiddel bevat

Zie landelijke voorschriften.

21. Verpakking van (onverkochte) opgeslagen apparatuur

Opgeslagen apparatuur dient zodanig te worden verpakt dat mechanische beschadiging van de apparatuur binnenin de verpakking niet kan leiden tot lekkage van het koelmiddel dat in de apparatuur aanwezig is.

Het maximale aantal apparaten dat samen mag worden opgeslagen, is afhankelijk van lokale voorschriften.

10. SPECIFICATIES

Model	TD-C 1416	TD-C 1420
Capaciteit	16 L/D (30°C, 80% relatieve luchtvochtigheid)	20 L/D (30°C, 80% relatieve luchtvochtigheid)
Voeding	220-240 V~ / 50 Hz	220-240 V~ / 50 Hz
Energieverbruik	260 W	325 W
Bedrijfsbereik	7°C - 35°C	7°C - 35°C
Koelmiddel	R290 (75 g)	R290 (90 g)
GWP	3	3
Gewicht	12 kg	14 kg
Druk (hoog / laag)	1,8 / 0,6 Mpa	1,8 / 0,6 Mpa
Druk (max)	3,00 Mpa	3,00 Mpa
Beschermingsgraad van het apparaat	IPX0	IPX0

De ontvochtigingscapaciteit wordt bepaald bij een kamertemperatuur van **30°C met een relatieve vochtigheid van 80%**.

Als specificaties na deze bepaling verbeteren, worden de nieuwe specificaties vermeld op de naamplaat van het product.

De bedrijfstemperatuur ligt tussen 5°C en 35°C, met een max. relatieve vochtigheid van 80%. Als de kamertemperatuur buiten dit bereik ligt, werkt het apparaat niet zoals normaal. De GWP-waarde van R290 koelvloeistof is 3.

BEPERKTE GARANTIE

TOYOTOMI CO., LTD. ("TOYOTOMI") garandeert dat bij normaal gebruik en onderhoud alle verkochte producten en delen daarvan gedurende **VIERENTWINTIG (24) MAANDEN** vanaf de datum van levering aan de oorspronkelijke koper in de detailhandel vrij zijn van materiaal- of productiefouten. Dit is onderhevig aan de volgende voorwaarden:

DIT VALT ONDER DE GARANTIE: Producten of delen daarvan die materiaal- of productiefouten bevatten.

DIT VALT NIET ONDER DE GARANTIE:

Deze garantie geldt niet voor mankementen als gevolg van nalatigheid van anderen; het niet volgens de gebruiksaanwijzing installeren, bedienen of onderhouden van het apparaat (gebruiks- en onderhoudsvoorschriften worden meegeleverd bij elk nieuw apparaat); onredelijk gebruik; ongevallen; wijzigingen; gebruik van niet erkende en niet door TOYOTOMI gestandaardiseerde onderdelen en accessoires; elektrische storing, d.w.z. als gevolg van overbelasting van het stroomnet, kortsluiting enz.; onjuiste installatie; of reparatie door iemand anders dan een door TOYOTOMI aangegeven voorziening.

WIE VALT ER ONDER DE GARANTIE: De oorspronkelijke koper in de detailhandel.

DIT DOEN WIJ: TOYOTOMI herstelt of vervangt, naar eigen inzicht, zonder kosten alle defecte onderdelen die worden gedekt door deze beperkte garantie mits u de onderdelen naar uw dichtstbijzijnde erkende dealer of TOYOTOMI-distributeur brengt.

ZO KUNT U GEBRUIKMAKEN VAN UW

GARANTIEVOORZIENINGEN: De defecte producten of onderdelen met deze **BEPERKTE GARANTIE** dienen naar een erkende dealer of TOYOTOMI-distributeur te worden gebracht. Als er bij u in de buurt geen voorziening beschikbaar is, kunt u contact opnemen met onze **KLANTENSERVICE** via:

TOYOTOMI EUROPE SALES B.V.

E-MAIL: info@toyotomi.eu

INTERNET: www.toyotomi.eu

HET VOORGAANDE BEHANDELT ALLE VERPLICHTINGEN EN VERANTWOORDELIJKHEDEN VAN TOYOTOMI MET BETREKKING TOT DE KWALITEIT VAN DE GELEVERDE PRODUCTEN DIE HIERONDER VALLEN. ALLE ANDERE GARANTIES, EXPLICIET OF IMPLICIET, MET INBEGRIIP VAN GARANTIES OVER VERKOOPBAARHEID OF GESCHIKTHEID VOOR BEPAALDE DOELEINDEN, WORDEN UITGESLOTEN. TOYOTOMI KAN NIET AANSPAKELIJK WORDEN GEHOUDEN VOOR HET NIET KUNNEN GEBRUIKEN VAN HET PRODUCT, ONGEMAK, VERLIES OF ANDERE SCHADE DIE DIRECT OF INDIRECT VOORTKOMT UIT HET GEBRUIK OF NIET KUNNEN GEBRUIKEN VAN HET PRODUCT OF VOOR SCHADE DIE TE WIJTEN IS AAN GEBREKEN VAN HET PRODUCT.

Alleen TOYOTOMI is bevoegd om de voorwaarden van de beperkte garantie op enigerlei wijze te verlengen of te wijzigen.

Het is in sommige gebieden niet toegestaan om uitsluiting of beperking van incidentele schade of gevolgschade toe te passen of beperkingen in te stellen voor de duur van een impliciete garantie en het kan dus zijn dat deze beperkingen of uitsluitingen niet op u van toepassing zijn. Deze beperkte garantie zorgt voor specifieke wettelijke rechten en deze rechten kunnen per gebied verschillen.

SPIEGAZIONE DEI SIMBOLI



L'apparecchio contiene gas infiammabile R290.



Leggere il manuale per l'utente prima di usare l'apparecchio.



Leggere il manuale di installazione prima di installare l'apparecchio.



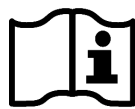
Leggere il manuale di assistenza prima di riparare l'apparecchio.

AVVISO

- Leggere attentamente il presente manuale prima di usare l'apparecchio e conservarlo per consultazione futura.
- Installare l'apparecchio solo se conforme a leggi, ordinamenti e norme locali/nazionali.
- Il prodotto è destinato all'uso come deumidificatore in ambienti domestici ed è adatto all'uso in locali asciutti, in normali condizioni domestiche, in soggiorno, cucina e garage.
- NON usare il deumidificatore in bagno o in altri luoghi dove potrebbe essere esposto a spruzzi di acqua.
- Collegare il prodotto sempre a una presa elettrica monofase 220-240 V / ~50 Hz.
- Il mancato rispetto di queste istruzioni può comportare l'annullamento della garanzia sul prodotto.
- Attenersi rigidamente alle istruzioni del produttore circa l'uso e le riparazioni!



Caution, risk of fire, R290



AVVERTENZE DI SICUREZZA

Quando si usa l'unità, adottare le seguenti precauzioni di sicurezza:

1. Prima di pulirlo o riporlo, staccare sempre il cavo di alimentazione.
2. Gli apparecchi possono essere usati all'interno, ma non nelle lavanderie.
3. NON posizionare l'unità in prossimità di apparecchi che generano calore o nei pressi di materiali infiammabili e pericolosi.
4. NON infilare mai dita od oggetti nei condotti di ingresso o di scarico.
5. NON sedersi né salire sull'unità.
6. Svuotare l'acqua raccolta nel serbatoio come necessario.
7. NON azionare il deumidificatore in un'area chiusa come all'interno di un armadio, può provocare un incendio.
8. NON portare l'unità vicino a materiali commestibili, oggetti d'arte o materiale scientifico.
9. Installare il tubo di scarico in discesa, per essere certi che l'acqua condensata possa essere scaricata costantemente.
10. Se il cavo di alimentazione è danneggiato deve essere sostituito dal produttore o equivalente soggetto qualificato per evitare ogni pericolo.
11. L'apparecchio deve essere posizionato in modo che la spina sia accessibile.
12. Lasciare una distanza di 20 cm intorno all'unità e dalla parete e altri oggetti per garantire la circolazione dell'aria.
13. L'apparecchio sarà installato nel rispetto delle normative nazionali in materia di cablaggi elettrici.
14. L'apparecchio non può essere usato nel trasporto pubblico.
15. Questo dispositivo può essere usato da bambini dagli 8 anni in su e da persone con capacità psichiche, sensoriali e mentali limitate o mancanza di esperienza se con supervisione o istruite

precedentemente riguardo all'uso del dispositivo in maniera sicura, assicurandosi della comprensione degli eventuali rischi. Impedire ai bambini di giocare con l'apparecchio. Operazioni di pulizia o manutenzione non possono essere effettuate da bambini senza supervisione.

16. I bambini saranno sorvegliati per accertarsi che non giochino con l'apparecchio.
17. Gli apparecchi evidentemente danneggiati non devono essere azionati.

AVVERTENZA

Informazioni specifiche relative ad apparecchi che contengono gas refrigerante R290:

- L'apparecchio contiene gas infiammabile R290.
- L'R290 è un gas refrigerante conforme alle direttive europee in materia di ambiente. Si tratta di un refrigerante naturale (propano), non tossico e privo di proprietà che riducono lo strato di ozono, con un potenziale di riscaldamento globale molto basso (GWP = 3).
- NON perforare nessun elemento del circuito refrigerante.
- NON usare strumenti per accelerare il processo di sbrinamento o per la pulizia, se non quelli raccomandati dal produttore.
- L'apparecchio sarà conservato in un ambiente privo di fonte di ignizione continue (ad es. fiamme aperte, impianto a gas attivo o riscaldatore elettrico attivo).
- NON perforare, né bruciare.
- Ricordare che i refrigeranti possono essere inodore.
- L'apparecchio sarà installato, azionato e riposto in un ambiente con superficie maggiore di 4 m².
- Se l'apparecchio viene installato, azionato o riposto in un'area non ventilata, l'ambiente deve essere progettato in

modo da prevenire l'accumulo di perdite di refrigeranti che comportano il rischio di incendio o esplosione a causa dell'ignizione del refrigerante provocata da riscaldatori elettrici, stufe o altre fonti di ignizione.

- L'apparecchio sarà conforme alle normative nazionali in materia di gas.
- La manutenzione sarà effettuata solo come raccomandato dal produttore.
- L'apparecchio sarà riposto in modo da prevenire qualsiasi danno meccanico.
- Qualsiasi soggetto coinvolto in lavori o interventi sul circuito refrigerante dovrà essere titolare di certificazione valida rilasciata da un'autorità di valutazione accreditata nel settore che attesta la sua competenza a maneggiare refrigeranti in sicurezza, ai sensi di specifica di valutazione riconosciuta nel settore.
- La manutenzione sarà effettuata solo come raccomandato dal produttore dell'apparecchio. Manutenzione e riparazioni che richiedano l'intervento di personale qualificato saranno eseguite sotto la supervisione del soggetto competente nell'uso di refrigeranti infiammabili.
- Per qualsiasi riparazione necessaria, rivolgersi al più vicino centro di assistenza autorizzato e seguire solo le istruzioni del produttore.

AVVERTENZA PER LO SMALTIMENTO

È vietato smaltire l'apparecchio con i normali rifiuti domestici. Lo smaltimento è possibile in diversi modi.

- 1 NON smaltire il prodotto con i rifiuti domestici indifferenziati. Raccogliere simili rifiuti separatamente, in quanto è necessario un trattamento speciale.
- 2 I comuni hanno piani di raccolta definiti, per cui i rifiuti elettronici possono essere smaltiti senza nessun costo per l'utente.
- 3 Il produttore ritirerà il vecchio apparecchio ai fini dello smaltimento senza nessun costo per l'utente.

4 I prodotti dismessi contengono materiali preziosi che possono essere venduti come rottami metallici.

Lo smaltimento abusivo di rifiuti in boschi e nell'ambiente rappresenta una minaccia per la salute, in quanto sostanze pericolose penetrano nelle falde freatiche e raggiungono la catena alimentare. Significato dell'icona del contenitore per immondizia con ruote barrato con croce. NON smaltire gli apparecchi elettrici nei rifiuti domestici indifferenziati, rispettare la raccolta differenziata. Rivolgersi alle autorità locali per informazioni sul sistema di raccolta in vigore. Se gli apparecchi elettrici vengono smaltiti in discariche, sostanze pericolose possono penetrare nelle acque freatiche e finire nella catena alimentare, con gravi danni per la salute e il benessere.



Questo marchio indica che il prodotto non deve essere smaltito con i normali rifiuti domestici all'interno dell'UE. Per prevenire possibili danni all'ambiente o alla salute umana derivanti dallo smaltimento incontrollato dei rifiuti, riciclarlo responsabilmente per promuovere il riutilizzo sostenibile delle risorse materiali. Per restituire l'apparecchio usato, usare i sistemi di reso e raccolta o contattare il rivenditore dove il prodotto è stato acquistato. Possono ritirare il prodotto per un riciclaggio sicuro per l'ambiente.

R290: 3

GENERALE

Per ottenere performance ottimali dal deumidificatore, accertarsi che tutte le finestre siano chiuse al fine di raggiungere la massima efficacia.

La capacità del deumidificatore dipende dalla temperatura e dall'umidità nella camera, a temperature più basse verrà sottratta meno umidità.

CARATTERISTICHE

Potente capacità di deumidificazione

Sfruttando la tecnologia di refrigerazione, il deumidificatore sottrae efficacemente l'umidità dall'aria per ridurre il tenore di umidità relativa nella camera e tenere l'aria all'interno secca e piacevole.

Leggero design portatile

Il deumidificatore è costruito per essere compatto e leggero. Le rotelle sotto l'unità ne rendono facile lo spostamento di camera in camera.

Funzionamento a basse temperature con sbrinamento automatico

Quando l'unità funziona a temperatura ambiente tra i 7°C e i 12°C, si arresterà per lo sbrinamento ogni 30 minuti.

Quando l'unità funziona a temperatura ambiente tra i 12°C e i 20°C, si arresterà per lo sbrinamento ogni 45 minuti.

Livello di umidità regolabile

Regola il livello di umidità desiderato.

Timer di accensione/spegnimento

Programma l'unità perché si accenda e spenga automaticamente.

Funzionamento silenzioso

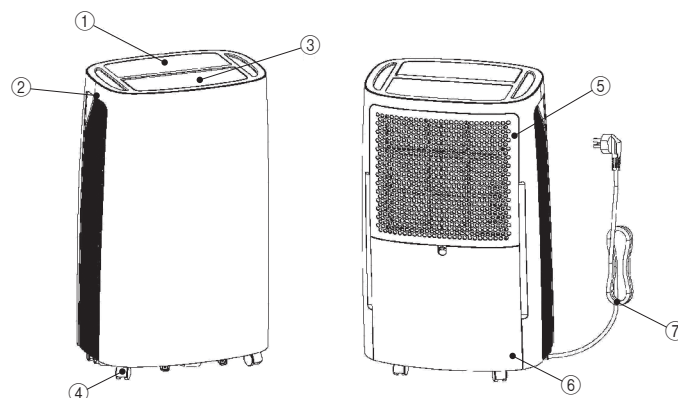
Il deumidificatore ha un livello di rumorosità minimo.

Efficienza energetica

L'unità ha un basso consumo energetico.

1. DESCRIZIONE

COMPONENTI



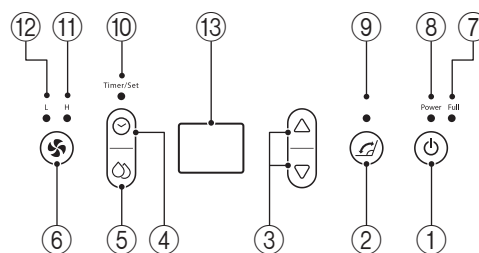
- | | | |
|--------------------------|-------------------|-------------------------|
| 1. Pannello di comando | 2. Maniglia | 3. Deflettore del vento |
| 4. Rotella | 5. Scatola filtri | 6. Serbatoio acqua |
| 7. Cavo di alimentazione | | |

OPTIONAL



1. Tubo di scarico

PANNELLO DI COMANDO



- | | |
|-------------------------------|------------------------------|
| 1. Pulsante di accensione | 2. Pulsante di oscillazione |
| 3. Pulsante di regolazione | 4. Pulsante timer |
| 5. Pulsante di impostazione | 6. Pulsante velocità ventola |
| 7. Spia serbatoio acqua pieno | 8. Spia di accensione |
| 9. Lampada a oscillazione | 10. Spia timer/impostazione |
| 11. Spia ventola veloce | 12. Spia ventola lenta |
| 13. Display | |

2. FUNZIONAMENTO

Livello di umidità e display a 2 cifre del timer



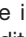

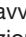




Il display mostra 3 funzioni:

1. Quando l'unità è accesa, indicherà il livello di umidità nella camera.
2. Quando si imposta l'umidità, riporta l'umidità selezionata.
3. Quando si programma l'orario di accensione e spegnimento automatici dell'unità, mostrerà l'orario.
4. Se l'umidità dell'ambiente è inferiore al 35% indicherà "35".
5. Se l'umidità dell'ambiente è superiore al 95% indicherà "95".

3. ISTRUZIONI PER L'USO

La spia POWER si accenderà quando la spina viene inserita, che l'unità sia in funzione o meno.

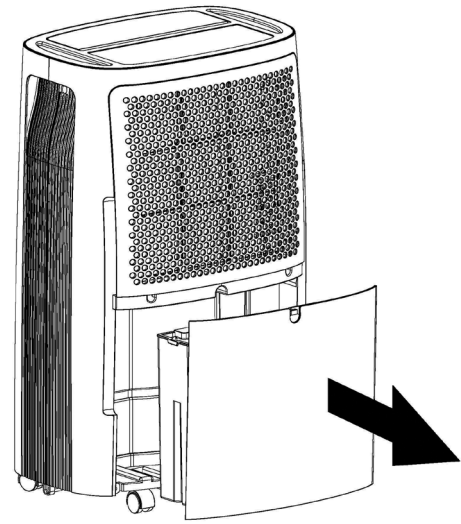
1. Accensione/Spengimento
Premere  per avviare l'unità, quando l'unità è ferma; o premere  per spegnerla, quando l'unità è in funzione.
2. Regolazione dell'umidità
Premere il tasto  per entrare nello stato di impostazione dell'umidità, poi premere Δ o ∇ per impostare l'umidità dal 40% all'80%, ogni impostazione è del 5%, l'indicatore LED lampeggia quando viene effettuata l'impostazione. Interrompere la pressione per 5 secondi, si ritorna alla visualizzazione normale. Il valore di umidità predefinito è del 40%.
3. Regolazione della velocità del ventilatore
Premere  per impostare la velocità del ventilatore su alta o bassa, e la luce corrispondente alla velocità del ventilatore si accenderà.
4. Regolazione dell'oscillazione
Dopo l'avvio della macchina, premere  per avviare o arrestare l'oscillazione della foglia di uscita dell'aria.
5. Impostazione del tempo
Premere  per inserire lo stato di impostazione dell'ora di inizio quando l'unità è ferma, poi l'indicatore LED mostrerà l'ora, si può premere il tasto Δ o ∇ per impostare l'ora di inizio automatico da 1 a 24 ore. Premere  per inserire lo stato di impostazione del tempo di spegnimento quando l'unità è in funzione, poi l'indicatore LED mostrerà l'ora, è possibile premere il pulsante Δ o ∇ per impostare il tempo di spegnimento automatico da 1 a 24 ore. Il tempo programmato rimane invariato se la macchina smette di funzionare perché l'acqua è piena o durante lo sbrinamento. Una volta che l'utente lo accende o lo spegne, l'unità può perdere la funzione di temporizzazione.

4. SCARICO DELL'ACQUA RACCOLTA

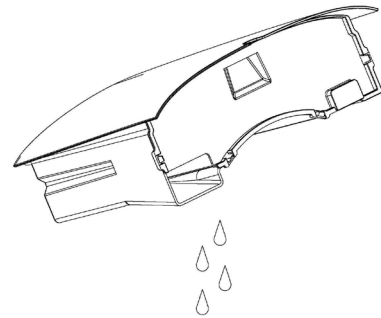
Quando il serbatoio di scarico è pieno, la spia di serbatoio pieno si accenderà, l'apparecchio si arresterà automaticamente e un segnale acustico risuonerà 15 volte per avvertire l'utente che il serbatoio acqua deve essere svuotato.

5. SVUOTAMENTO DEL SERBATOIO DI SCARICO

1. Premere leggermente sui lati del serbatoio con entrambe le mani ed estrarlo delicatamente.

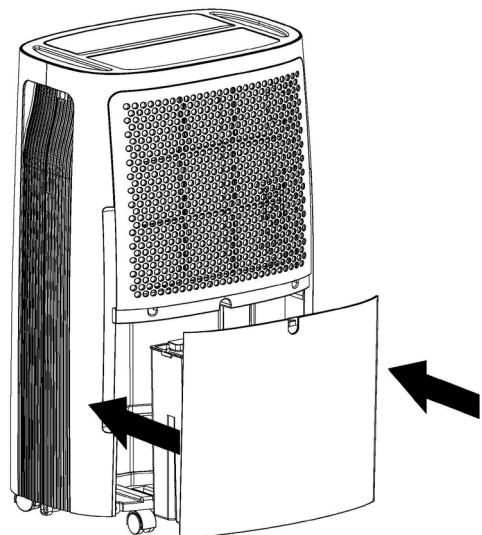


2. Svuotare l'acqua raccolta.



NOTA

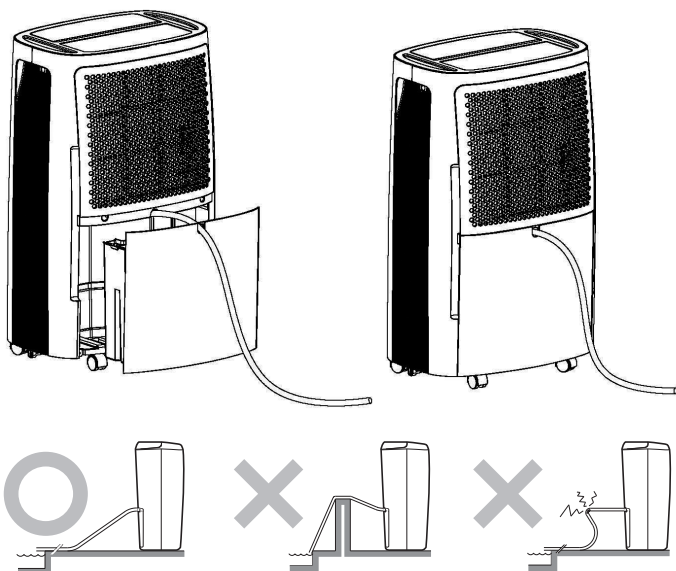
1. Se il serbatoio di scarico è sporco, lavarlo con acqua fredda o tiepida. Non usare detergente, spugnette abrasive, panni anti-polvere sottoposti a trattamento chimico, benzina, benzene, diluenti o altri solventi, potrebbero graffiare e danneggiare il serbatoio e provocare perdite di acqua.
2. Quando si rimonta il serbatoio di scarico, spingere saldamente a posto il serbatoio con entrambe le mani. Se il serbatoio non è posizionato correttamente, il sensore "TANK FULL" viene attivato e il deumidificatore non funzionerà.



6. SCARICO ACQUA CONTINUO

L'unità presenta una porta per lo scarico continuo. Usando un tubo in plastica (con diametro interno di 10 mm), inserirlo nel foro di scarico (sulla piastra intermedia) sul lato del serbatoio acqua, installarlo in posizione e sistemare il tubo di scarico.

L'acqua nel serbatoio di scarico può essere scaricata in continuo dalla porta dell'unità.



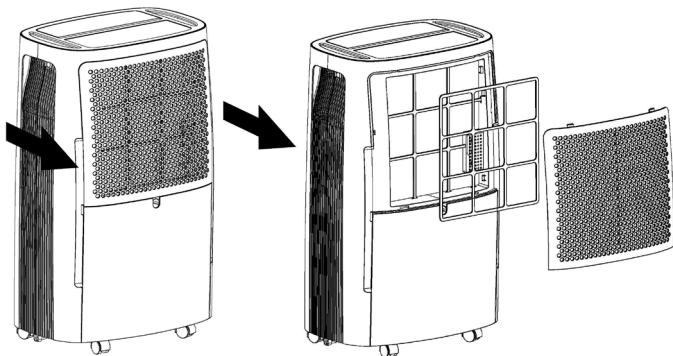
7. MANUTENZIONE

**Pulizia del deumidificatore
Pulizia dell'esterno**

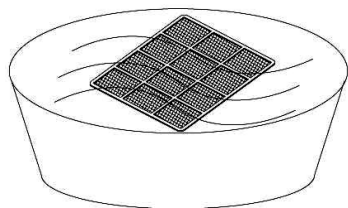
Pulire con un panno morbido inumidito.

Pulizia del filtro dell'aria

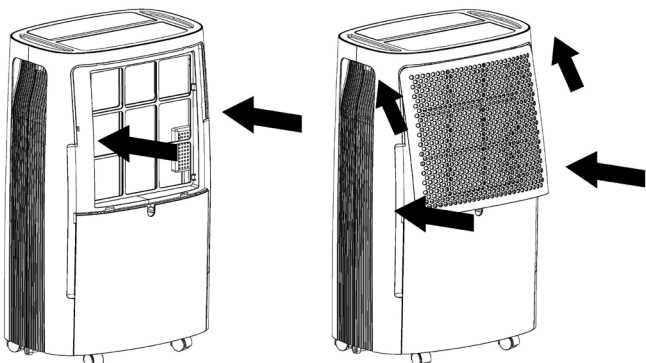
1. Aprire prima la griglia di entrata e rimuovere il filtro dell'aria.



2. Pulire il filtro dell'aria.
Passare delicatamente un aspirapolvere sulla superficie del filtro dell'aria per rimuovere lo sporco. Se il filtro dell'aria è eccezionalmente sporco, lavarlo con acqua calda o un detergente delicato ed asciugarlo accuratamente.



3. Montare il filtro dell'aria.
Inserire delicatamente il filtro nella griglia e rimontare correttamente la griglia.



Riporre il deumidificatore

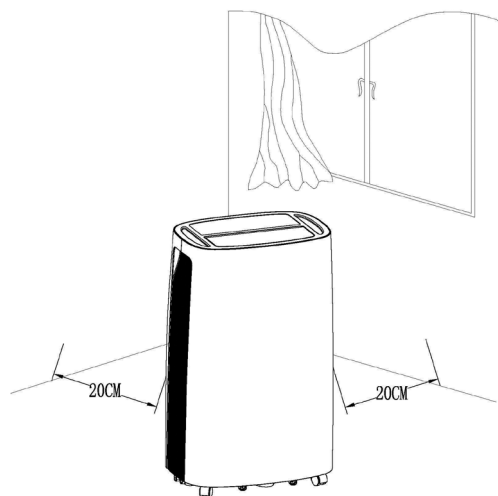
Se l'unità non verrà usata per un periodo di tempo prolungato e si

desidera conservarla, rispettare i seguenti punti.

1. Svuotare eventuale acqua rimasta nel serbatoio di scarico.
2. Ripiegare il cavo di alimentazione e metterlo nel serbatoio dell'acqua.
3. Pulire il filtro dell'aria.
4. Conservare in luogo fresco e asciutto.

Spazi liberi

Mantenere lo spazio libero minimo intorno al deumidificatore quando l'unità è in funzione, come mostrato nel disegno a sinistra.



8. RISOLUZIONE DEI PROBLEMI

Se si presenta una condizione riportata di seguito, controllare i seguenti elementi prima di rivolgersi al servizio clienti.

Problema	Causa probabile	Soluzione
L'unità non funziona	Il cavo di alimentazione è stato scollegato?	Collegare il cavo di alimentazione alla presa elettrica.
	La spia di serbatoio pieno lampeggia? (Il serbatoio è pieno o in posizione errata)	Svuotare l'acqua dal serbatoio di scarico e rimettere a posto il serbatoio.
	La temperatura della camera è superiore a 35°C o inferiore a 7°C?	Il dispositivo di protezione si è attivato e l'unità non può essere riavviata.
La funzione di deumidificazione non funziona	Il filtro dell'aria è ostruito?	Pulire il filtro dell'aria come descritto in "Pulizia del deumidificatore".
	Il condotto di ingresso o di scarico è ostruito?	Rimuovere l'ostruzione nel condotto di scarico o di ingresso.
L'aria non viene scaricata.	Il filtro dell'aria è ostruito?	Pulire il filtro dell'aria come descritto in "Pulizia del deumidificatore".
L'apparecchio è rumoroso	L'unità è sollevata o instabile?	Spostare l'unità in luogo stabile e solido.
	Il filtro dell'aria è ostruito?	Pulire il filtro dell'aria come descritto in "Pulizia del deumidificatore".

9. NOTA PER LA MANUTENZIONE

1. Controlli dell'area

Prima di iniziare a lavorare su sistemi che contengono refrigeranti infiammabili, sono necessari controlli di sicurezza per accertarsi che il rischio di ignizione sia ridotto al minimo. Per riparazioni all'impianto refrigerante, rispettare le seguenti precauzioni prima di lavorare sull'impianto.

Procedura operativa

Il lavoro sarà svolto secondo una procedura controllata in modo da ridurre al minimo il rischio che un gas o vapore infiammabile sia presente durante i lavori.

2. Area di lavoro generale

Tutto il personale di manutenzione e altro che lavora nell'area sarà informato della natura del lavoro da svolgere. Evitare di lavorare in spazi chiusi. L'area intorno allo spazio di lavoro sarà delimitata. Accertarsi che le condizioni all'interno dell'area siano state rese sicure attraverso il controllo del materiale infiammabile.

3. Controllo della presenza di refrigerante

L'area sarà sottoposta a controllo con adeguato rilevatore di refrigerante, prima e durante i lavori, per accertarsi che il tecnico sia consapevole di atmosfere potenzialmente infiammabili. Accertarsi che l'apparecchiatura di rilevamento perdite usata sia idonea all'uso con refrigeranti infiammabili, ovvero non emetta scintille, sia adeguatamente sigillata e intrinsecamente sicura.

4. Presenza di estintori

Se sull'impianto di refrigerazione o componente associato devono essere condotti lavori a caldo, tenere a portata di mano estintori adeguati. Tenere un estintore a polvere secca o CO₂ nei pressi dell'area di carica.

5. Nessuna fonte di ignizione

Nessun soggetto che svolga lavori in relazione all'impianto refrigerante che comportano l'esposizione di tubi che contengono o hanno contenuto refrigerante infiammabile userà una qualsiasi fonte di ignizione in maniera che possa condurre al rischio di incendio o esplosione. Tutte le possibili fonti di ignizione, compreso fumo di sigaretta, saranno tenute a debita distanza dal sito di installazione, riparazione, rimozione e smaltimento, operazioni durante le quali il refrigerante infiammabile potrebbe essere rilasciato sulla superficie circostante. Prima che abbiano luogo i lavori, l'area intorno all'apparecchiatura sarà ispezionata per accertarsi che non vi siano pericoli di fiamma o rischi di ignizione. I segnali di divieto di fumo saranno ben visibili.

6. Area ventilata

Accertarsi che l'area sia all'aperto o che sia adeguatamente ventilata prima di intervenire sull'impianto o condurvi qualsiasi lavoro. Una certa ventilazione sarà garantita per l'intero periodo di esecuzione dei lavori. La ventilazione dovrà disperdere in sicurezza eventuale refrigerante rilasciato ed espellerlo preferibilmente all'esterno nell'atmosfera.

7. Controlli dell'apparecchiatura di refrigerazione

Quando vengono sostituiti componenti elettrici, dovranno essere idonei allo scopo e conformi alle specifiche. Rispettare sempre le direttive del produttore sulla manutenzione e l'assistenza. In caso di dubbi, consultare il reparto tecnico del produttore per assistenza.

I seguenti controlli saranno applicati agli impianti che usano refrigeranti infiammabili:

- le dimensioni della carica sono adeguate alle dimensioni dell'ambiente in cui vengono installati i componenti che contengono refrigerante;
- il macchinario per la ventilazione e le uscite funzionano adeguatamente e non sono ostruite.

8. Controlli dei dispositivi elettrici

Gli interventi di riparazione e manutenzione ai componenti elettrici includerà controlli di sicurezza iniziali e procedure di ispezione dei componenti. In caso di guasto che potrebbe compromettere la sicurezza, nessuna alimentazione elettrica sarà collegata al circuito finché il guasto non sia stato risolto. Se il guasto non può essere risanato immediatamente, ma è necessario continuare il funzionamento, adottare un'adeguata soluzione temporanea. Sarà segnalata al titolare dell'apparecchiatura in modo che tutte le parti siano avvisate.

I controlli di sicurezza iniziali comprenderanno:

- i condensatori vengono scaricati; l'operazione sarà svolta in maniera sicura per evitare la possibilità di formazione di scin-

tille;

- nessun componente elettrico e cavo viene esposto durante la carica, il recupero o lo spurgo del sistema;
- il collegamento a massa è garantito costantemente.

9. Riparazioni ai componenti sigillati

Durante le riparazioni ai componenti sigillati, tutte le forniture elettriche saranno scollegate dall'impianto su cui si dovrà lavorare prima che venga rimossa qualsiasi protezione sigillata, ecc. Se è indispensabile disporre di alimentazione elettrica all'apparecchiatura durante l'intervento, una forma di rilevamento perdite in funzione permanente sarà ubicata nel punto più critico di rilevamento di una situazione potenzialmente pericolosa.

Particolare attenzione sarà dedicata a quanto segue, per accertarsi che lavorando ai componenti elettrici l'alloggiamento non venga alterato in maniera da comprometterne il livello di protezione. In ciò sono inclusi danni ai cavi, numero di collegamenti eccessivo, terminali non realizzati secondo le specifiche originali, danni alle guarnizioni, installazione non corretta di premitreccia, ecc.

Accertarsi che l'apparecchio sia montato in sicurezza.

Accertarsi che le guarnizioni o il materiale sigillante non si siano deteriorati in misura tale da non servire più allo scopo di prevenire l'ingresso di atmosfere infiammabili. La sostituzione dei componenti avverrà in conformità alle specifiche del produttore.

NOTA: L'uso di sigillante al silicone può inibire l'efficacia di alcuni tipi di apparecchiature di rilevamento perdite.

Componenti intrinsecamente sicuri non devono essere isolati prima degli interventi su di essi.

10. Riparazione di componenti intrinsecamente sicuri

Non applicare alcun carico induttivo o capacitivo al circuito, senza aver verificato che non superi la tensione e la corrente consentite per l'apparecchiatura in uso.

Componenti intrinsecamente sicuri sono solo i tipi su cui è consentito lavorare in presenza di atmosfere infiammabili. L'apparecchio per il test sarà della corretta capacità.

Sostituire i componenti solo con pezzi di ricambio indicati dal produttore. Altri pezzi potrebbero comportare l'ignizione del refrigerante nell'atmosfera in seguito a una perdita.

11. Cablaggio

Controllare che il cablaggio non sia esposto a usura, corrosione, pressione eccessiva, vibrazioni, bordi aguzzi e altri effetti ambientali avversi. Il controllo terrà inoltre conto degli effetti dell'invecchiamento o della vibrazione continua derivante da fonti quali compressori o ventole.

12. Rilevamento perdite di refrigeranti infiammabili

In nessun caso potenziali fonti di ignizione saranno usate per individuare o rilevare perdite di refrigeranti. Non usare torce agli alogenuri (o altro rilevatore che usa fiamma libera).

13. Metodi di rilevamento perdite

I seguenti metodi di rilevamento perdite sono accettati per impianti che contengono refrigerante infiammabile.

Rilevatori di perdita elettronici saranno usati per rilevare refrigeranti infiammabili, ma la sensibilità potrebbe non essere adeguata o potrebbero necessitare di ritaratura (l'apparecchio di rilevamento sarà tarato in un'area priva di refrigerante). Accertarsi che il rilevatore non sia una potenziale fonte di ignizione e sia adatto al refrigerante usato.

Fluidi per il rilevamento delle perdite sono adatti all'uso con la maggior parte dei refrigeranti, ma l'uso di detergenti che contengono clorina sarà evitato, in quanto la clorina può reagire con il refrigerante e corrodere i tubi in rame.

Se si sospetta una perdita, rimuovere/spegnere ogni fiamma libera.

Se viene rilevata una perdita di refrigerante che richiede brasatura, tutto il refrigerante sarà rimosso dall'impianto. Azoto privo di ossigeno sarà quindi spinto attraverso il sistema prima e durante le operazioni di brasatura.

14. Rimozione ed evacuazione

Quando si interviene sul circuito refrigerante per effettuare riparazioni o per qualsiasi altro scopo, saranno usate procedure convenzionali. È tuttavia importante che siano seguite le migliori pratiche, in quanto l'infiammabilità è un pericolo costante. Attenersi alle seguenti procedure:

Rimuovere il refrigerante;

Depurare il circuito con gas inerte; Evacuare;

Depurarlo ancora con gas inerte;

Aprire il circuito tramite taglio o brasatura.

La carica di refrigerante sarà nelle apposite bombole. L'impianto verrà "spurgato" con azoto privo di ossigeno per

rendere l'unità sicura. Il processo potrebbe dover essere ripetuto più volte. Non usare aria compressa od ossigeno per questa operazione.

Lo spurgo sarà eseguito rompendo il vuoto nell'impianto con l'azoto privo di ossigeno e continuando a riempirlo finché non si raggiunge la pressione di esercizio, quindi sfiatando nell'atmosfera e ripristinando infine il vuoto. Il processo sarà ripetuto finché tutto il refrigerante non è stato espulso dal sistema. Quando viene usata l'ultima carica di azoto senza ossigeno, l'impianto sarà sfiatato alla pressione atmosferica per consentire che l'intervento abbia luogo.

L'operazione è assolutamente fondamentale se devono essere eseguite operazioni di brasatura sulle tubature. Accertarsi che l'uscita della pompa sotto vuoto non sia vicina a nessuna fonte di ignizione e che sia disponibile ventilazione.

15. Procedure di carica refrigerante

Oltre alle tradizionali procedure di carica, vanno soddisfatti i seguenti requisiti.

- Accertarsi che non si verifichi contaminazione da diversi refrigeranti quando si usa l'apparecchiatura di carica. Tubi o condotte dovranno essere quanto più corti possibili per ridurre il quantitativo di refrigerante contenuto.
- Le bombole saranno tenute dritte.
- Accertarsi che l'impianto di refrigerazione sia collegato a massa prima di caricare l'impianto con il refrigerante.
- Etichettare il sistema terminata la carica (se non lo è già).
- Fare particolare attenzione a non riempire troppo l'impianto di refrigerazione.

Prima di ricaricarlo, testarne la pressione con azoto privo di ossigeno. Testare l'impianto circa l'assenza di perdite al completamento della carica, ma prima della messa in funzione. Un ulteriore test delle perdite va eseguito prima di lasciare il sito.

16. Dismissione

Prima di eseguire questa procedura, è essenziale che il tecnico abbia totale dimestichezza con l'apparecchiatura e tutti i suoi componenti. Si raccomanda una buona pratica di recupero in sicurezza di tutti i refrigeranti. Prima di procedere, prelevare un campione di olio e refrigerante, qualora sia necessaria l'analisi prima di riutilizzare il refrigerante rigenerato. È fondamentale che sia disponibile alimentazione elettrica prima di iniziare l'operazione.

Acquisire dimestichezza con l'apparecchiatura e il suo funzionamento.

- a) Isolare elettricamente l'impianto.
- b) Prima di procedere, accertarsi che: sia disponibile, se necessario, un'attrezzatura meccanica per la movimentazione delle bombole di refrigerante; siano disponibili e vengano utilizzati i necessari dispositivi di protezione individuale; il processo di recupero venga svolto sotto la costante supervisione di una persona competente; le apparecchiature di recupero e le bombole siano conformi alle norme vigenti.
- c) Se possibile, trasferire il refrigerante nell'unità esterna con una procedura di "pump-down".
- d) Se non è possibile creare il vuoto, usare un collettore che consenta l'espulsione del refrigerante da varie parti del sistema.
- e) Prima di procedere al recupero, appoggiare la bombola sulla bilancia.
- f) Avviare il dispositivo di recupero e utilizzarlo secondo le istruzioni del produttore.
- g) Evitare di riempire eccessivamente le bombole (non superare l'80% del volume liquido).
- h) Non superare la pressione di esercizio massima della bombola, nemmeno provvisoriamente.
- i) Dopo avere correttamente riempito le bombole e avere terminato la procedura, trasferire al più presto le bombole e le apparecchiature dal sito e chiudere tutte le valvole di isolamento dell'apparecchiatura.
- j) Prima di caricare il refrigerante recuperato in un altro impianto di refrigerazione deve essere pulito e controllato.

17. Etichettatura

L'apparecchio deve essere dotato di etichetta che segnala che è stato dismesso e svuotato del refrigerante. L'etichetta recerà data e firma. Accertarsi che sull'apparecchio siano presenti etichette che segnalano che l'apparecchio contiene refrigerante infiammabile.

18. Recupero

Quando si scarica il refrigerante da un impianto ai fini della manutenzione o dismissione, si raccomanda la buona pratica di ri-

muovere tutti i refrigeranti in sicurezza.

Se il refrigerante viene trasferito in bombole, accertarsi di utilizzare solo bombole adatte al recupero di refrigerante. Accertarsi che sia disponibile un numero di bombole sufficiente a contenere l'intera carica dell'impianto. Tutte le bombole che saranno utilizzate saranno destinate a contenere il refrigerante recuperato ed etichettate per quel refrigerante (ad es. bombole speciali per il recupero di refrigerante). Le bombole dovranno essere provviste di valvola di sicurezza e di valvole di intercettazione ben funzionanti. Le bombole di recupero vuote devono essere evacuate e, se possibile, raffreddate prima di procedere al recupero.

L'apparecchiatura di recupero dovrà essere in buono stato di funzionamento, accompagnata da un set di istruzioni a portata di mano e dovrà essere adatta per il recupero di refrigeranti infiammabili.

Inoltre, dovrà essere disponibile un set di bilance tarate e ben funzionanti. I tubi dovranno essere completi di raccordi di disaccoppiamento esenti da perdite e in buone condizioni.

Prima di utilizzare l'attrezzatura di recupero, controllare che sia ben funzionante, che sia stata sottoposta a una corretta manutenzione e che i componenti elettrici associati siano sigillati per impedire rischi di ignizione in caso di fuoriuscite di refrigerante. In caso di dubbi consultare il produttore.

Il refrigerante recuperato dovrà essere restituito al fornitore nelle bombole di recupero corrette, accompagnate dal relativo formulario di identificazione rifiuto. Non mescolare diversi tipi di refrigerante nelle unità di recupero, in particolare nelle bombole.

Se occorre dismettere i compressori o gli oli dei compressori, evacuarli a un livello accettabile per evitare che rimanga del refrigerante infiammabile all'interno del lubrificante. La procedura di evacuazione dovrà essere eseguita prima di restituire il compressore ai fornitori. Per accelerare questo processo, utilizzare solo riscaldamento elettrico del corpo del compressore. Quando si estrae l'olio dal sistema, scaricarlo con una procedura sicura.

19. Trasporto di apparecchiature che contengono refrigeranti infiammabili

Disciplinato da normative locali.

20. Smaltimento di apparecchiature contenenti refrigeranti infiammabili

Vedi normative nazionali.

21. Stoccaggio di apparecchiature imballate (invendute)

Gli imballaggi da stoccare devono essere protetti in modo che eventuali danni meccanici alle apparecchiature in essi contenute non possano causare perdite di refrigerante.

Il numero massimo di apparecchi che è possibile immagazzinare in uno stesso luogo è stabilito dalle normative locali.

10. SPECIFICHE

Modello	TD-C 1416	TD-C 1420
Capacità	16 L/D (30°C, 80% RH)	20 L/D (30°C, 80% RH)
Alimentazione	220-240 V ~ / 50 Hz	220-240 V ~ / 50 Hz
Consumo elettrico	260 W	325 W
Intervallo di esercizio	7°C - 35°C	7°C - 35°C
Refrigerante	R290 (75g)	R290 (90g)
GWP	3	3
Peso	12 kg	14 kg
Pressione (alta / bassa)	1.8 / 0.6 Mpa	1.8 / 0.6 Mpa
Pressione (max)	3.00 Mpa	3.00 Mpa
Protezione unità	IPX0	IPX0

La capacità di deumidificazione è regolata su una temperatura della camera di **30°C con umidità relativa dell'80%**.

Se le specifiche sono state migliorate successivamente, la targhetta identificativa riporterà le nuove specifiche.

La temperatura d'esercizio è entro un intervallo di 7°C - 35°C, con umidità relativa massimo dell'80%. Se la temperatura ambiente è esterna a tale intervallo, l'unità non funzionerà correttamente. Il valore GWP del refrigerante R290 è 3.

GARANZIA LIMITATA

TOYOTOMI CO., LTD. ("TOYOTOMI") garantisce che i suoi prodotti e le parti di cui sono composti sono esenti da difetti di fabbricazione e dei materiali in condizioni di uso normale; la garanzia vale VENTIQUATTRO (24) MESI dalla data di consegna al cliente finale secondo i termini e le condizioni seguenti.

COSA COPRE LA GARANZIA:

Il prodotto e le sue parti, in caso di difetti di materiali e fabbricazione.

COSA NON COPRE LA GARANZIA:

La presente garanzia non copre difetti dovuti a negligenza di terzi; mancato rispetto delle istruzioni di installazione, messa in funzione o manutenzione (le istruzioni operative e di manutenzione sono in dotazione con ciascuna nuova unità); uso irresponsabile, incidenti, alterazioni, uso di parti o accessori non autorizzati o non rispondenti agli standard TOYOTOMI; malfunzionamenti elettrici, ad es. risultanti da sovraccarichi di tensione, cortocircuiti, ecc.; installazione non corretta; riparazioni effettuate da servizi di assistenza diversi da quelli indicati da TOYOTOMI.

CHI COPRE LA GARANZIA: Il cliente finale.

COSA FARÀ TOYOTOMI: TOYOTOMI riparerà o sostituirà, a propria discrezione, gratuitamente tutte le parti difettose coperte dalla presente garanzia limitata, che dovranno essere consegnate al rivenditore autorizzato o distributore TOYOTOMI più vicino.

COSA FARE PER USUFRUIRE DELLA GARANZIA: Il cliente Deve restituire il Prodotto o la parte difettosa a un qualsiasi rivenditore autorizzato o distributore TOYOTOMI insieme con la presente GARANZIA LIMITATA. Se il servizio non è disponibile in loco, rivolgersi all'UFFICIO CLIENTI all'indirizzo:

TOYOTOMI EUROPE SALES B.V.

E-MAIL: info@toyotomi.eu

INTERNET: www.toyotomi.eu

QUANTO PRECEDE COMPRENDE TUTTI GLI OBBLIGHI E LE RESPONSABILITÀ DI TOYOTOMI RELATIVAMENTE ALLA QUALITÀ DEL PRODOTTO FORNITO. È ESCLUSA OGNI ALTRA GARANZIA, ESPRESSA O IMPLICITA, COMPRESA LA GARANZIA DI COMMERCIALIZZABILITÀ O IDONEITÀ A UNO SCOPO PARTICOLARE. TOYOTOMI NON SARÀ RESPONSABILE DI IMPOSSIBILITÀ DI USARE IL PRODOTTO, DISAGI, PERDITA O ALTRI DANNI, DIRETTI O CONSEGUENTI, DERIVANTI DALL'USO O DALL'IMPOSSIBILITÀ DI USO DEL PRODOTTO O DANNI DERIVANTI O ATTRIBUIBILI A DIFETTI NEL PRODOTTO.

Nessuno, se non TOYOTOMI, ha facoltà di estendere o modificare i termini della presente Garanzia limitata in qualsivoglia maniera.

Alcuni Paesi non consentono l'esclusione o la limitazione dei danni incidentali o conseguenti o limitazioni alla durata della garanzia, pertanto, tali limitazioni o esclusioni potrebbero non essere valide. La presente Garanzia limitata riconosce specifici diritti legali al cliente, che potrebbe godere anche di ulteriori diritti in base al Paese di residenza.

EXPLICACIÓN DE SÍMBOLOS



La unidad contiene el gas inflamable R290.



Antes de usar la unidad, lea el manual de usuario.



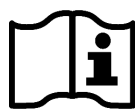
Antes de instalar el aparato, lea el manual de instalación.



Antes de reparar el aparato, lea el manual de mantenimiento.

ATENCIÓN

- Lea cuidadosamente este manual de usuario antes de usar el aparato y guárdelo para consultarlo en el futuro.
- Instale este aparato solo si cumple la legislación, reglamentación y normas locales/nacionales.
- El propósito de este producto es ser utilizado como deshumidificador en viviendas residenciales, y solo es apto para su uso en lugares secos, en condiciones domésticas normales, en el interior de un salón, cocina o garaje.
- NO ponga el deshumidificador en cuartos de baño ni otros lugares en los que sea probable que le salpique agua.
- Conecte este aparato siempre en un enchufe eléctrico monofásico 220-240 V / ~50 Hz.
- No seguir estas instrucciones puede acarrear la nulidad de la garantía de este aparato.
- ¡Siga estrictamente las instrucciones del fabricante en cuanto a uso y reparaciones!



Caution, risk of fire, R290

ADVERTENCIAS DE SEGURIDAD

Al usar la unidad, siga las siguientes precauciones de seguridad:

1. Desenchufe el cable de alimentación antes de limpiar o guardar el aparato.
2. Los aparatos se pueden usar en interiores, pero no en lavaderos.
3. NO ponga la unidad cerca de aparatos generadores de calor o de materiales inflamables y peligrosos.
4. NUNCA introduzca los dedos u objetos por los conductos de entrada o desagüe.
5. NO se sienta en la unidad ni se suba de pie encima de ella.
6. Deseche el agua que se vaya acumulando en el depósito según se requiera.
7. NO utilice el deshumidificador en una zona cerrada como el interior de un armario, ya que podría producirse un incendio.
8. NO haga funcionar la unidad cerca de objetos comestibles, obras de arte o materiales científicos.
9. Instale la tubería de desagüe inclinada hacia abajo para asegurarse de que el agua condensada pueda ser evacuada continuamente.
10. Si el cable de alimentación eléctrica del aparato está dañado, deberá ser reemplazado por el fabricante o una persona de similar cualificación para evitar peligros.
11. El aparato deberá ser posicionado de tal manera que el enchufe quede accesible.
12. Mantenga una distancia de 20 cm alrededor de la unidad y la pared u otros objetos para asegurar la circulación del aire.
13. El aparato deberá ser instalado de acuerdo con la normativa nacional local en materia de cableado.
14. Este aparato no puede ser utilizado en el transporte público.
15. Este electrodoméstico puede ser utilizado por niños a partir de 8 años y por personas con capacidades físicas, sensoriales o mentales reducidas o falta de

experiencia y conocimientos si se les ha supervisado o instruido sobre el uso seguro del electrodoméstico y comprenden los peligros que conlleva. Los niños no deben jugar con el aparato. La limpieza y el mantenimiento del aparato no deben ser efectuados por niños sin supervisión.

16. Los niños deben ser vigilados para asegurar que no jueguen con el aparato.
17. Si un aparato está obviamente dañado no debe ser utilizado.

ADVERTENCIA

Información específica para aparatos con gas refrigerante R290:

- La unidad contiene el gas inflamable R290.
- El R290 es un gas refrigerante que cumple las directivas europeas sobre medio ambiente. Es un refrigerante natural (propano), no tóxico y que no daña la capa de ozono, con un potencial de calentamiento global muy bajo (GWP = 3).
- NO agujeree ninguna parte del circuito refrigerante.
- Use solamente agentes recomendados por el fabricante para acelerar el proceso de eliminación de escarcha o para limpiar la unidad.
- La unidad se debe almacenar en una habitación sin fuentes de ignición en funcionamiento continuo (por ejemplo: fuego abierto, aparatos de gas o calefactores eléctricos en funcionamiento).
- NO agujeree ni queme la unidad.
- NO olvide que los refrigerantes pueden ser inodoros.
- La unidad debe instalarse, almacenarse y operarse en una habitación con un área de suelo de más de 4 m².
- Si se instala, maneja o almacena el aparato en una zona no ventilada, la habitación deberá estar diseñada para prevenir la acumulación de fugas de refrigerante que puedan resultar en un riesgo de incendio o explosión por ignición del

refrigerante causada por calefactores eléctricos, placas de cocina u otras fuentes de ignición.

- El aparato deberá cumplir la normativa nacional en materia de gas.
- El mantenimiento solo deberá realizarse de la forma recomendada por el fabricante.
- El aparato deberá ser almacenado de tal forma que se prevengan daños mecánicos.
- Cualquier persona que trabaje con circuitos refrigerantes o acceda a ellos deberá estar en posesión de un certificado válido de una autoridad evaluadora acreditada por la industria que autorice su competencia para manejar refrigerantes de forma segura y de acuerdo con unas especificaciones de evaluación reconocidas por la industria.
- El mantenimiento solo podrá realizarse de la forma recomendada por el fabricante del equipo. El mantenimiento y la reparación que requieran de la asistencia de otro tipo de personal cualificado deberán ser realizados bajo la supervisión de la persona competente en el uso de refrigerantes inflamables.
- Para cualquier reparación que necesite, póngase en contacto con el centro de servicio técnico más cercano y siga sola y estrictamente las instrucciones del fabricante.

ADVERTENCIA SOBRE ELIMINACIÓN DE RESIDUOS

Está prohibido desechar este aparato con la basura doméstica. Hay varias posibilidades para su eliminación.

- 1 NO tire este producto a la basura municipal normal. Es necesario recoger estos residuos por separado para darles un tratamiento especial.
- 2 El ayuntamiento ha creado sistemas de recogida en los que se pueden desechar los residuos electrónicos al menos sin coste para el usuario.

- 3 El fabricante aceptará recoger el aparato antiguo para su eliminación al menos sin coste para el usuario.
- 4 Debido a que los productos viejos contienen recursos valiosos, se pueden vender a comerciantes de chatarra.

La basura y residuos arrojados sin control en bosques y entornos naturales ponen en riesgo su salud debido a que se producen escapes de sustancias peligrosas en las aguas subterráneas que acaban por llegar a la cadena alimentaria. Significado del cubo de basura con ruedas tachado. NO elimine los aparatos eléctricos con la basura municipal sin clasificar, haga uso de los puntos de recogida por separado. Póngase en contacto con su gobierno local para informarse sobre los sistemas de recogida disponibles. Si se arrojan electrodomésticos a un vertedero, puede haber fugas de sustancias peligrosas en las aguas subterráneas que acaben llegando a la cadena alimentaria, dañando su salud y bienestar.



Este símbolo indica que este producto no podrá ser desechado junto con otros residuos domésticos en ningún país de la UE. Para evitar los posibles daños al medio ambiente o a la salud de las personas causados por los desechos incontrolados, reciclelo de forma responsable para promover una reutilización sostenible de los recursos materiales. Para devolver su aparato usado, utilice los sistemas de devolución y recogida o póngase en contacto con el distribuidor al que adquirió el producto. Ellos pueden recoger este producto para reciclarlo de forma segura para el medio ambiente.

R290: 3

GENERAL

Para obtener un rendimiento óptimo de su deshumidificador, asegúrese de que todas las ventanas estén cerradas para alcanzar la máxima eficiencia. La capacidad del deshumidificador depende de la temperatura y la humedad de la habitación: a menor temperatura, menos humedad se elimina.

CARACTERÍSTICAS

Potente capacidad deshumidificadora

Haciendo uso de la tecnología de refrigeración, el deshumidificador ejerce un poderoso efecto de eliminación de la humedad del aire para disminuir el nivel de humedad de la habitación y mante-

ner el aire interior seco y confortable.

Diseño ligero y portátil

El deshumidificador está construido compacto y ligero. Las ruedas de la parte inferior de la unidad facilitan su transporte de una habitación a otra.

Funcionamiento a baja temperatura con eliminación de escarcha automática

Cuando la unidad está funcionando con una temperatura ambiente entre 7°C y 12°C, se detendrá a eliminar la escarcha cada 30 minutos.

Cuando la unidad está funcionando con una temperatura ambiente entre 12°C y 20°C, se detendrá a eliminar la escarcha cada 45 minutos.

Higrostatto ajustable

Ajuste el higrostatto al nivel deseado de humedad.

Temporizador de activación/desactivación

Programa la unidad para que se encienda y apague automáticamente.

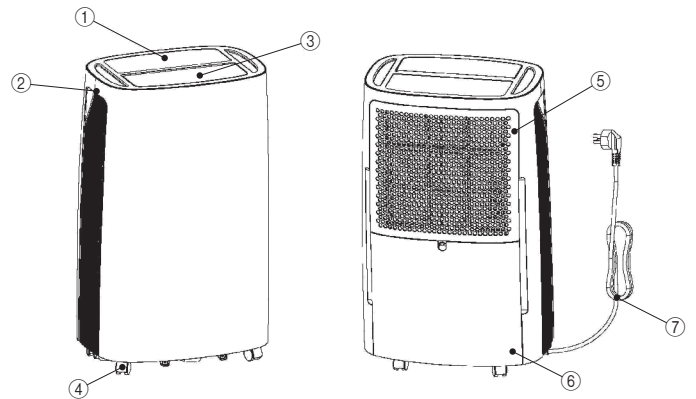
Funcionamiento silencioso

El deshumidificador funciona con un bajo nivel de ruido.

Energéticamente eficiente

La unidad tiene un consumo bajo de energía.

1. DESCRIPCIÓN DE LAS PARTES



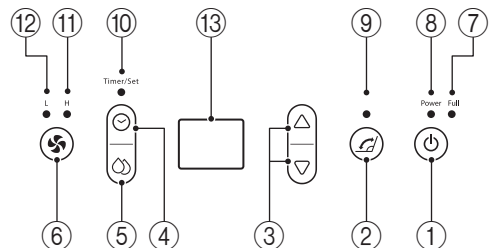
- | | | |
|--------------------------|----------------|------------------------|
| 1. Panel de control | 2. Manija | 3. Deflector de viento |
| 4. Rueda | 5. Portafiltro | 6. Deposito de agua |
| 7. Cable de alimentacion | | |

OPCIONAL



1. Tubería de desagüe

PANEL DE CONTROL



- | | |
|------------------------------|--------------------------------------|
| 1. Botón de encendido | 2. Botón de giro |
| 3. Botón regulador | 4. Botón del temporizador |
| 5. Botón de ajuste | 6. Botón de velocidad del ventilador |
| 7. Luz de depósito lleno | 8. Luz de encendido |
| 9. Lámpara de giro | 10. Luz de temporizador/ajuste |
| 11. Luz de ventilador rápido | 12. Luz de ventilador lento |
| 13. Panel indicador | |

2. FUNCIONAMIENTO

Pantalla de dos dígitos para nivel de humedad y temporizador










El indicador incluye tres funciones:

1. Cuando se encienda la unidad, el nivel de humedad de la estancia será indicado.
2. Al ajustar la humedad, indica la humedad que haya seleccionado.
3. Al programar el tiempo de encendido y apagado de la unidad, mostrará las horas.
4. Cuando la humedad ambiental sea de menos del 35%, mostrará "35".
5. Cuando la humedad ambiental sea de más del 95%, mostrará "95".

3. INSTRUCCIONES DE MANEJO

La luz indicadora de encendido se enciende cuando la unidad está enchufada, independientemente de si está funcionando o no.

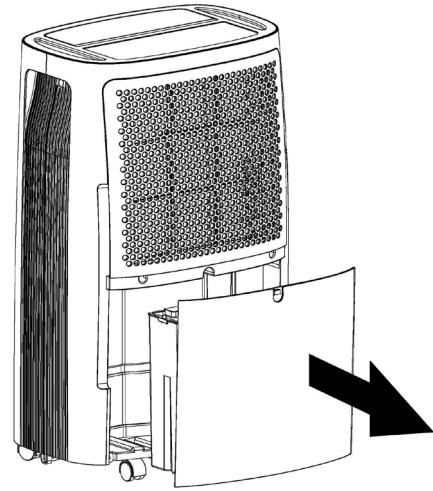
1. Encendido/Apagado
Pulse  para poner en marcha la unidad, cuando la unidad está detenida; o pulse  para apagarla, cuando la unidad está en funcionamiento.
2. Ajuste de la humedad
Pulse la tecla  para entrar en el estado de ajuste de la humedad, y luego pulse Δ o ∇ para ajustar la humedad del 40 al 80%, cada ajuste es del 5%, el indicador LED parpadea cuando se realiza el ajuste. Deje de pulsar durante 5 segundos, regresará a la visualización normal. El valor por defecto de la humedad es 40%.
3. Ajuste de la velocidad del ventilador
Presione  para ajustar la velocidad del ventilador a alta o baja, y se encenderá la luz correspondiente a la velocidad del ventilador.
4. Ajuste del giro
Después de que la máquina se pone en marcha, pulse  para iniciar o detener el movimiento de la hoja de salida de aire.
5. Ajuste del tiempo
Pulse  para entrar en el estado de ajuste del tiempo de arranque cuando la unidad está parada, entonces el indicador LED mostrará la hora, puede pulsar el botón Δ o ∇ para ajustar el tiempo de arranque automático de 1 a 24 horas. Pulse  para entrar en el estado de ajuste del tiempo de parada cuando la unidad está funcionando, entonces el indicador LED mostrará la hora, puede pulsar el botón Δ o ∇ para ajustar el tiempo de apagado automático de 1 a 24 horas. El tiempo programado permanece inalterado si la máquina deja de funcionar debido a que el agua está llena o durante la descongelación. Una vez que el usuario la enciende o la apaga, la unidad puede perder la función de temporización.

4. DESAGUAR EL AGUA RECOLECTADA

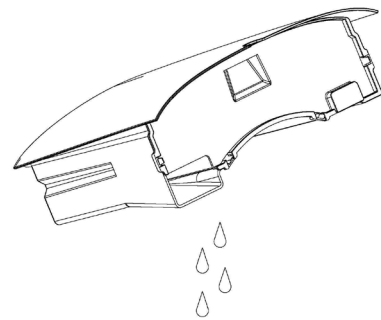
Cuando el depósito de desagüe está lleno, se enciende la luz indicadora de depósito lleno, el aparato deja de funcionar automáticamente y suena quince veces un pitido para avisar al usuario de que hay que vaciar el agua del depósito de desagüe.

5. VACIAR EL DEPÓSITO DE DESAGÜE

1. Presione ligeramente en los laterales del depósito con ambas manos y sáquelo con cuidado.

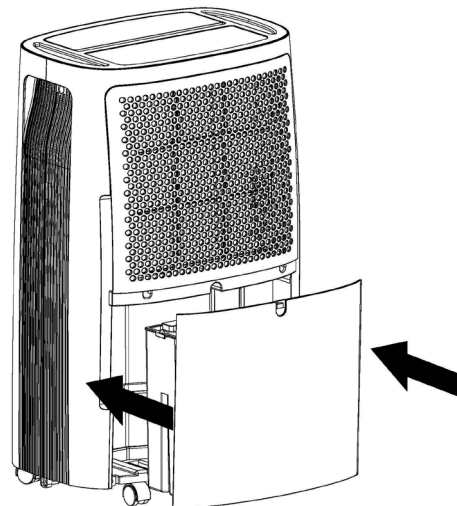


2. Tire el agua recolectada.



NOTA

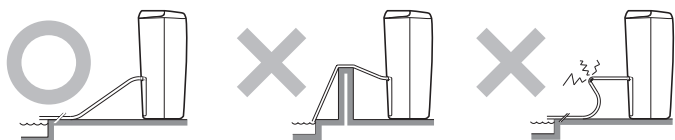
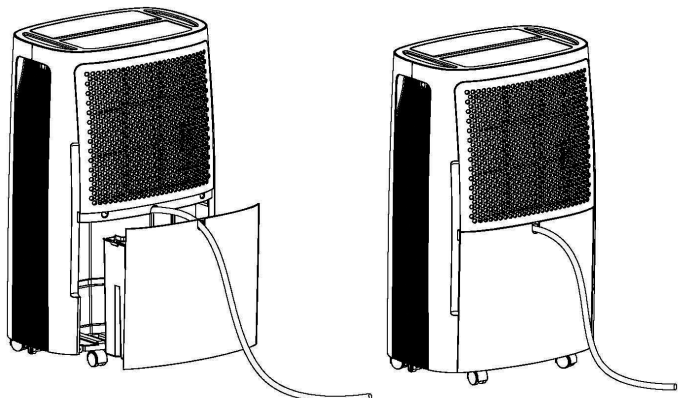
1. Si el depósito de desagüe está sucio, lávelo con agua fría o tibia. No use detergente, estropajos, trapos con tratamiento químico, gasolina, benceno, diluyente u otros disolventes, ya que pueden arañar y dañar el depósito y provocar fugas de agua.
2. Al sustituir el depósito de desagüe, presiónelo firmemente en su sitio con ambas manos. Si el depósito no queda bien en su posición, el sensor "DEPÓSITO LLENO" se activará y el deshumidificador no funcionará.



6. DESAGÜE CONTINUO DE AGUA

La unidad incluye una salida de desagüe continuo. Inserte una manguera de plástico (de 10 mm de diámetro interior) en el orificio de salida (donde se juntan las placas), llévela hasta el lateral del depósito de agua, instálela en su sitio y coloque la manguera.

Con la salida continua de la unidad, se puede evacuar constantemente el agua del depósito de desagüe.



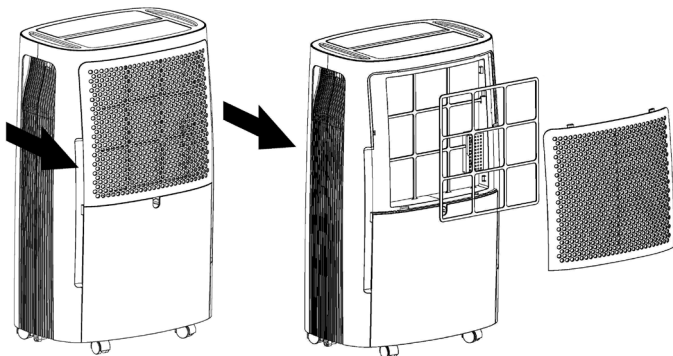
7. MANTENIMIENTO

Limpiar del deshumidificador Limpiar el cuerpo del aparato

Límpielo con un paño suave y húmedo.

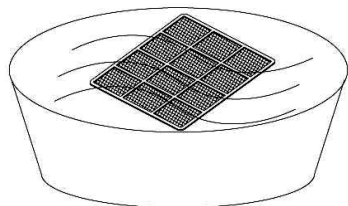
Limpiar el filtro de aire

1. Abra primero la rejilla de entrada y saque el filtro de aire.



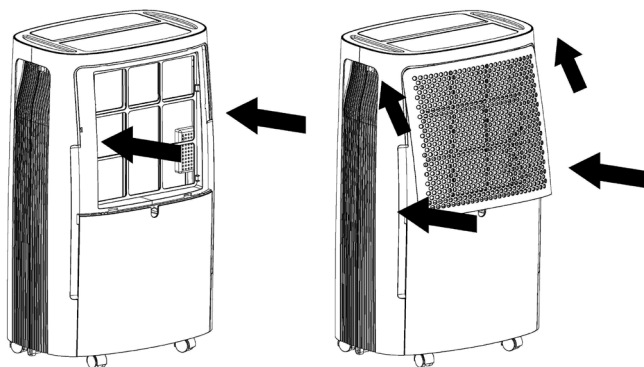
2. Limpie el filtro de aire.

Pase con cuidado un aspirador por la superficie del filtro para quitar el polvo. Si el filtro de aire está excepcionalmente sucio, lávelo con agua tibia y un detergente suave y déjelo secar bien.



3. Coloque el filtro de aire.

Inserte suavemente el filtro en la rejilla de entrada y póngala en su sitio.



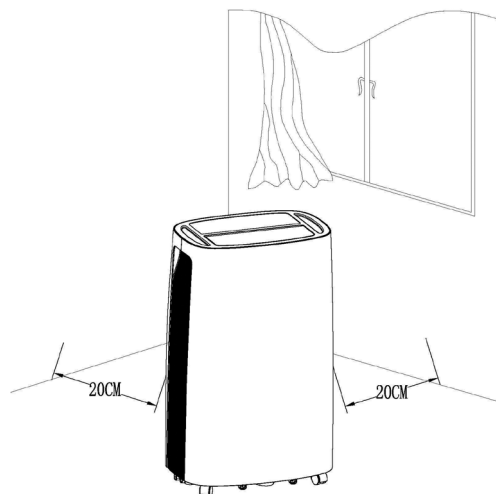
Guardar el deshumidificador

Cuando no se vaya a usar la unidad por un periodo largo de tiempo y quiera guardarla, siga los siguientes pasos:

1. Vacíe todo resto de agua que quede en el depósito de desagüe.
2. Enrolle el cable de alimentación y métalo en el depósito de agua.
3. Limpie el filtro de aire.
4. Guárdelo en un sitio fresco y seco.

Espacio libre

Mantenga el mínimo de espacio libre alrededor del deshumidificador cuando la unidad esté funcionando, tal como se muestra en la figura de la izquierda.



8. SOLUCIÓN DE PROBLEMAS

Si ocurre un problema de los enumerados a continuación, revise los siguientes elementos antes de llamar al servicio al cliente.

Problema	Posible causa	Solución
La unidad no funciona.	¿Se ha desenchufado el cable de alimentación?	Enchufe el cable de alimentación.
	¿Está parpadeando la luz de depósito lleno? (El depósito está lleno o mal colocado).	Vacíe el agua del depósito de desagüe y vuelva a colocarlo.
	¿La temperatura de la habitación supera los 35°C o está por debajo de los 7°C?	El dispositivo de seguridad está activado y la unidad no puede iniciarse.
No funciona la función de deshumidificación	¿Está obstruido el filtro de aire?	Limpie el filtro de aire como se explica en "Limpiar el deshumidificador".
	¿Están obstruidos los tubos de entrada o evacuación?	Elimine la obstrucción del tubo de entrada o evacuación.
No sale aire.	¿Está obstruido el filtro de aire?	Limpie el filtro de aire como se explica en "Limpiar el deshumidificador".
Hace ruido al funcionar.	¿La unidad está inclinada o en posición inestable?	Ponga la unidad en un sitio estable y firme.
	¿Está obstruido el filtro de aire?	Limpie el filtro de aire como se explica en "Limpiar el deshumidificador".

9. NOTA SOBRE LAS TAREAS DE MANTENIMIENTO

1. Revisión del área

Antes de empezar a trabajar en sistemas que contengan refrigerantes inflamables, es necesario realizar inspecciones de seguridad para asegurarse de minimizar el riesgo de ignición. Para reparar el sistema refrigerante, deben tomarse las siguientes precauciones antes de realizar trabajos en el sistema.

Procedimiento de trabajo

El trabajo se realizará siguiendo un procedimiento controlado para minimizar el riesgo de que haya gas o vapor inflamable mientras se lleva a cabo la tarea.

2. Área de trabajo general

Todo el personal de mantenimiento y otras personas que estén trabajando en el área cercana deberán ser informados de la naturaleza de los trabajos que se están efectuando. Se deberá evitar trabajar en espacios cerrados. Se deberá separar el espacio de trabajo. Asegúrese de que las condiciones dentro del área sean seguras controlando el material inflamable.

3. Comprobar la presencia de refrigerante

El área será inspeccionada con un detector de refrigerante apropiado antes de los trabajos y durante su curso, para garantizar que el técnico perciba un ambiente potencialmente inflamable. Asegúrese de que el equipo de detección de fugas que se esté utilizando sea apto para usar con refrigerante inflamable, es decir, sin chispa, adecuadamente sellado o intrínsecamente seguro.

4. Presencia de extintor

Si hay que realizar cualquier tarea en caliente al equipo de refrigeración o a alguna de sus partes asociadas, deberá haber disponible cerca un equipo de extinción de incendios adecuado. Tenga un extintor de polvo químico seco o de CO₂ junto al área de carga.

5. Ausencia de fuentes de ignición

Ninguna persona que esté realizando trabajos relacionados con un sistema refrigerante que impliquen exponer cualquier conducto que contenga o haya contenido refrigerante inflamable podrá utilizar ninguna fuente de ignición de un modo tal que pueda provocar riesgo de incendio o explosión. Todas las posibles fuentes de ignición, incluyendo fumar tabaco, deberán mantenerse lo suficientemente lejos del lugar donde se esté llevando a cabo la instalación, reparación, despiece o eliminación durante el tiempo en el que exista la posibilidad de escape de refrigerante inflamable al espacio circundante. Antes de realizar los trabajos se deberá revisar el área que rodea el equipo para asegurarse de que no haya elementos peligrosos inflamables ni riesgo de ignición. Se deberán colocar carteles de "No fumar".

6. Área ventilada

Asegúrese de que la zona esté al aire libre o de que esté adecuadamente ventilada antes de abrir el sistema o realizar ningún trabajo en caliente. Se deberá mantener un grado de ventilación durante el periodo en que se esté llevando a cabo el trabajo. La ventilación deberá dispersar de forma segura cualquier escape de refrigerante y, preferiblemente, expulsarlo externamente a la atmósfera.

7. Comprobaciones al equipo de refrigeración

Cuando se cambien componentes eléctricos, estos deben ser aptos para el propósito para el que se usan y poseer las especificaciones correctas. Deberán respetarse en todo momento las instrucciones del fabricante referentes a mantenimiento y reparaciones. En caso de duda, solicite la asistencia del departamento técnico del fabricante.

Se deberán realizar las siguientes comprobaciones a los equipos que utilicen refrigerantes inflamables:

- El tamaño de la carga debe estar conforme con el tamaño de la habitación en el que se deban instalar las partes que contienen refrigerante.
- La maquinaria y salidas de ventilación están funcionando adecuadamente y no están obstruidas.

8. Comprobaciones de los dispositivos eléctricos

La reparación y el mantenimiento de componentes eléctricos deberán incluir comprobaciones de seguridad iniciales y procedimientos de inspección de componentes. Si existe un defecto que pudiera poner en peligro la seguridad, no se deberá administrar electricidad al circuito hasta haberlo sido solucionado satisfactoriamente. Si el defecto no puede ser corregido de inmediato pero es necesario continuar con la operación, se utilizará una solución provisional adecuada. Se informará de ello al propietario del equipo para que todas las partes estén sobre aviso.

Las comprobaciones de seguridad iniciales incluirán:

- Que los condensadores estén descargados: esto se hará de manera segura para evitar la posibilidad de que salten chispas;
- Que no quede expuesto ningún componente eléctrico ni cableado que esté bajo tensión mientras el sistema esté siendo cargado, vaciado o purgado;
- Que no haya interrupciones en la conexión a tierra.

9. Reparación de componentes sellados

Durante la reparación de componentes sellados, todas las fuentes eléctricas deberán ser desconectadas del equipo en el que se esté trabajando antes de quitar cualquier cubierta sellada, etc.

Si es absolutamente necesario suministrar electricidad al equipo durante las tareas de mantenimiento, se instalará alguna forma permanente de detección de fugas en el punto más crítico para advertir de posibles situaciones peligrosas.

Se deberá prestar especial atención a lo siguiente para asegurar que al realizar trabajos en componentes eléctricos no se altere la cubierta de forma que afecte al nivel de protección. Esto incluirá daños a cables, número excesivo de conexiones, terminales no realizados según las especificaciones originales, daños en los sellados, instalación incorrecta de juntas, etc.

Asegúrese de que los aparatos estén bien montados.

Asegúrese de que los sellos o el material sellante no estén degradados hasta el punto de que ya no sirvan al propósito de prevenir la penetración de atmósferas inflamables. Las piezas de repuesto serán conformes a las especificaciones del fabricante.

ATENCIÓN: El uso de sellante de silicona puede reducir la efectividad de algunos tipos de instrumentos de detección de fugas. Los componentes intrínsecamente

mente seguros no tendrán que ser aislados antes de trabajar en ellos.

10. Reparación de componentes intrínsecamente seguros

No aplique ninguna carga permanente inductiva o capacitiva al circuito sin asegurarse de que no excederá la tensión y la corriente admisibles para el equipo en uso.

Los intrínsecamente seguros son el único tipo de componentes sobre los que se puede trabajar bajo tensión en presencia de una atmósfera inflamable. Los aparatos de ensayo deberán estar a la potencia de servicio correcta.

Sustituya los componentes solo con piezas especificadas por el fabricante. Otras piezas pueden provocar la ignición de refrigerante en la atmósfera debido a una fuga.

11. Cableado

Compruebe que el cableado no se verá sometido a desgaste, corrosión, presión excesiva, vibración, bordes afilados o cualquier otro efecto adverso en su entorno. La comprobación también tendrá en cuenta los efectos del paso del tiempo o de la vibración continua procedente de fuentes como compresores o ventiladores.

12. Detección de fugas de refrigerantes inflamables

Bajo ninguna circunstancia se utilizarán fuentes potenciales de ignición para buscar o detectar fugas de refrigerante. No se podrá usar un soplete de haluro (ni ningún otro detector que utilice una llama abierta).

13. Métodos de detección de fugas

Los siguientes métodos de detección de fugas son aceptables para sistemas que contengan refrigerante inflamable.

Se podrán utilizar detectores de fugas electrónicos para buscar la presencia de refrigerantes inflamables, pero puede que su sensibilidad no sea adecuada o que necesiten ser recalibrados (el material de detección será calibrado en un área libre de refrigerante). Asegúrese de que el detector no sea una fuente potencial de ignición y de que sea apto para el refrigerante utilizado.

Los líquidos de detección de fugas son adecuados para usar con la mayoría de refrigerantes, pero el uso de detergentes que contengan cloro puede reaccionar con el refrigerante y corroer las tuberías de cobre.

Si se sospecha la presencia de una fuga, deberá eliminarse/apagarse toda llama abierta.

Si se halla una fuga de refrigerante que requiera cobresoldeo, se deberá recuperar del sistema todo resto de refrigerante. El nitrógeno libre de oxígeno (OFN) deberá ser purgado del sistema tanto antes como durante el proceso de cobresoldeo.

14. Extracción y evacuación

Cuando se vaya a abrir un circuito de refrigerante para hacer reparaciones (o con cualquier otro propósito), se deberán aplicar procedimientos convencionales. Sin embargo, es importante seguir buenas prácticas al existir inflamabilidad. Se seguirá el siguiente procedimiento:

Extraer el refrigerante;

Purgar el circuito con gas inerte;

Vaciar;

Volver a purgar con gas inerte.

Abrir el circuito cortando o cobresoldando.

La carga de refrigerante será extraída a las botellas recuperadoras adecuadas. Se deberá "enjuagar" con OFN el sistema para que la unidad resulte segura. Puede que haga falta repetir este proceso varias veces. No se utilizarán para esta tarea aire u oxígeno comprimido.

Para conseguir enjuagar, primero se rompe el vacío del sistema con OFN y se continúa llenando hasta alcanzar la presión de trabajo; después se deja escapar a la atmósfera y, finalmente, se hace el vacío. Este proceso se repetirá hasta que no quede refrigerante dentro del sistema. Cuando se use la carga de OFN final, el sistema será purgado a presión atmosférica para permitir la realización de los trabajos.

Esta operación es absolutamente crucial si se van a realizar tareas de cobresoldeo en las tuberías. Asegúrese de que la salida de la bomba de vacío no esté cerca de ninguna fuente de ignición y de que haya ventilación.

15. Procedimientos de carga de refrigerante

Además de los procedimientos de carga convencionales, se deberán cumplir los siguientes requisitos.

- Asegúrese de que no se produzca contaminación de diferentes refrigerantes cuando se use material de carga. Las mangueras o líneas tienen que ser lo más cortas posible para minimizar la cantidad de refrigerante contenido en ellas.
- Las bombonas deberán mantenerse en posición vertical.

- Asegúrese de que el sistema refrigerante esté conectado a tierra antes de cargar el sistema con refrigerante.

- Etiquete el sistema al terminar la carga (si no lo está ya).

- Se deberán tomar extremas precauciones para no llenar en exceso el sistema refrigerante.

Antes de recargar el sistema se deberá probar su presión con OFN. Se revisará el sistema para ver si hay fugas al completar la carga pero antes de la puesta en servicio. Antes de abandonar el lugar se deberá llevar a cabo otra prueba de fugas.

16. Retirada de servicio

Antes de llevar a cabo este procedimiento, es esencial que el técnico esté completamente familiarizado con el equipo y sus detalles. Es una buena práctica recomendada recuperar de forma segura todos los refrigerantes. Antes de llevar a cabo la tarea, se tomarán muestras de aceite y refrigerante por si se requiere hacer un análisis antes de reutilizar el refrigerante recuperado. Es esencial que haya suministro eléctrico antes de comenzar la tarea.

Familiarícese con el equipo y su funcionamiento.

a) Aísle eléctricamente el sistema.

b) Antes de intentar el procedimiento asegúrese de que: haya disponible material de manipulación mecánica, si se trata de una reparación, para manejar las bombonas de refrigerante; esté disponible y se use correctamente todo el equipo de protección individual; el proceso de recuperación esté supervisado en todo momento por una persona competente; el equipo y las bombonas de recuperación cumplan las normas adecuadas.

c) Vacíe con bomba el sistema refrigerante, si es posible.

d) Si no es posible hacer el vacío, haga un colector múltiple para que el refrigerante pueda ser extraído de varias partes del sistema.

e) Asegúrese de que la bombona esté situada sobre la báscula antes de realizar la recuperación.

f) Ponga en marcha la recuperadora y siga las instrucciones del fabricante.

g) No llene en exceso las bombonas (no más del 80% del volumen de carga líquida).

h) No supere la presión de trabajo máxima de la bombona, ni siquiera temporalmente.

i) Una vez que se hayan llenado correctamente las bombonas y se haya terminado el proceso, ocúpese de evacuar las bombonas y el equipo de las instalaciones con prontitud y de cerrar todas las válvulas de aislamiento.

j) El refrigerante recuperado no será cargado en otro sistema refrigerante a no ser que haya sido depurado y revisado.

17. Etiquetado

El equipo será etiquetado indicando que ha sido retirado del servicio y vaciado de refrigerante. La etiqueta deberá estar fechada y firmada. Asegúrese de que haya etiquetas en el equipo que indiquen que este contiene refrigerante inflamable.

18. Recuperación

Al extraer el refrigerante de un sistema, tanto para realizar un mantenimiento como para retirar del servicio, es una buena práctica recomendada extraer todo refrigerante de forma segura.

Al transferir refrigerante a las bombonas, asegúrese de que solo se empleen bombonas de recuperación de refrigerante adecuadas. Ocúpese de que se disponga de la cantidad correcta de bombonas para que quepa el total de la carga del sistema. Todas las bombonas que se usen deberán estar diseñadas para la recuperación de refrigerante y estar etiquetadas para ese refrigerante (es decir, bombonas especiales para la recuperación de refrigerante). Las bombonas deberán estar completas, con la válvula de seguridad y las válvulas de cierre asociadas en buen estado de funcionamiento. Las bombonas recuperadoras vacías serán evacuadas y, si es posible, enfriadas antes de realizar la recuperación.

El equipo de recuperación deberá estar en buen estado de funcionamiento y con manual de instrucciones disponible, y deberá ser apto para la recuperación de refrigerantes inflamables.

Además, se deberá facilitar un juego de básculas calibradas en buen estado de funcionamiento. Las mangueras deberán estar completas, con racores de desconexión sin fugas, y en buenas condiciones.

Antes de usar la recuperadora, compruebe que está en un estado de funcionamiento satisfactorio, que tenga el mantenimiento debidamente realizado y que todos los componentes eléctricos asociados estén sellados para evitar ignición en caso de fuga de refrigerante. En caso de duda, consulte al fabri-

cante.

El refrigerante recuperado será devuelto al proveedor del refrigerante en la bombona de recuperación correcta, y se rellenará la documentación relevante de transferencia de residuos. No mezcle refrigerantes en unidades recuperadoras ni, especialmente, en bombonas.

Si hay que eliminar compresores o aceites de compresor, ocúpese de que se vacíen hasta un nivel aceptable para asegurarse de que no queda refrigerante inflamable dentro del lubricante. El proceso de vaciado se llevará a cabo antes de devolver el compresor a los proveedores. Para acelerar este proceso solo se podrá utilizar calefacción eléctrica aplicada al cuerpo del compresor. La extracción de aceite de un sistema será realizada de manera segura.

19. Transporte de equipos que contienen refrigerantes inflamables

Determinado por reglamentos locales.

20. Almacenamiento de suministros para aparatos con refrigerantes inflamables

Véanse los reglamentos nacionales.

21. Embalaje de almacenamiento del equipo (sin vender)

La protección del embalaje de almacenaje deberá estar hecha de tal manera que un daño mecánico al equipo dentro del embalaje no cause una fuga de la carga de refrigerante.

El máximo número de unidades del equipo que se permiten ser almacenadas juntas estará determinado por la reglamentación local.

10. ESPECIFICACIONES

Modelo	TD-C 1416	TD-C 1420
Capacidad	16 l/día (30 °C, 80% HR)	20 l/día (30 °C, 80% HR)
Suministro eléctrico	220-240 V ~ / 50 Hz	220-240 V ~ / 50 Hz
Consumo energético	260 W	325 W
Rango de trabajo	7°C-35°C	7°C-35°C
Refrigerante	R290 (75g)	R290 (90g)
ÍNDICE GWP	3	3
Peso	12 kg	14 kg
Presión (alta/baja)	1,8/0,6 Mpa	1,8/0,6 Mpa
Presión (máx.)	3,00 Mpa	3,00 Mpa
Protección de la unidad	IPX0	IPX0

La capacidad de deshumidificación está evaluada a una temperatura ambiente de **30 °C con una humedad relativa del 80%**.

Si las especificaciones mejoran más allá de esta marca, la placa de características del producto reflejará las nuevas especificaciones. El rango de temperatura de trabajo va de los 7 a los 35 °C, y la humedad relativa máxima es del 80%. Si la temperatura ambiente está fuera de este rango, la unidad no funcionará con normalidad. El índice GWP del refrigerante R290 es 3.

GARANTÍA LIMITADA

TOYOTOMI CO., LTD. ("TOYOTOMI") garantiza que todos los productos y sus componentes vendidos por ella están libres de defectos de materiales o fabricación bajo circunstancias de uso y mantenimiento normales durante TREINTA Y SEIS (36) MESES después de la fecha de entrega al comprador original en el comercio minorista, en los siguientes términos y condiciones:

LO QUE CUBRE: El producto o partes de él que tengan defectos de materiales o fabricación.

LO QUE NO CUBRE:

Esta garantía no se extiende para defectos debidos a negligencia de terceros; instalación, manejo o mantenimiento sin seguir las instrucciones (con cada unidad nueva se proporcionan instrucciones de manejo y mantenimiento); uso poco sensato, accidentes, alteraciones, uso de componentes y accesorios TOYOTOMI no autorizados o no estandarizados, fallo eléctrico, por ejemplo, como resultado de grandes subidas de tensión eléctrica, cortocircuito, etc.; instalación incorrecta; o reparación por parte de cualquier tercero diferente al servicio técnico especificado por TOYOTOMI.

A QUIÉN CUBRE: Al comprador original en el comercio minorista.

LO QUE HAREMOS: TOYOTOMI, siguiendo su propio criterio, reparará o sustituirá sin cargo alguno todos los componentes defectuosos cubiertos por esta garantía limitada, siempre y cuando sean transportados por usted al servicio técnico o distribuidor de TOYOTOMI más cercano.

LO QUE USTED DEBE HACER PARA RECIBIR EL SERVICIO DE GARANTÍA: Deberá devolver el producto o componente defectuoso a cualquier distribuidor autorizado o distribuidor de TOYOTOMI con esta GARANTÍA LIMITADA. Si en su localidad no dispone de servicio técnico, sírvase ponerse en contacto con nuestro DEPARTAMENTO DE RELACIONES CON EL CLIENTE en:

TOYOTOMI EUROPE SALES B.V.
CORREO ELECTRÓNICO: info@toyotomi.eu
INTERNET: www.toyotomi.eu

LO ANTERIOR EXPRESA TODAS LAS OBLIGACIONES Y RESPONSABILIDADES DE TOYOTOMI CON RESPECTO A LA CALIDAD DEL PRODUCTO SUMINISTRADO POR ELLA. QUEDA EXCLUIDA CUALQUIER OTRA GARANTÍA, EXPRESA O IMPLÍCITA, INCLUYENDO GARANTÍAS DE COMERCIABILIDAD O ADECUACIÓN PARA UN PROPÓSITO CONCRETO. TOYOTOMI NO SERÁ RESPONSABLE DE LA PÉRDIDA DE USO DEL PRODUCTO, INADECUACIÓN, PÉRDIDA O CUALQUIER DAÑO QUE SEA CONSECUENCIA DIRECTA O INDIRECTA DEL USO O DE LA INCAPACIDAD DE USAR EL PRODUCTO, O DE DAÑOS RESULTANTES DE DEFECTOS EN EL PRODUCTO O ATRIBUIBLES A ELLOS.

Nadie más que TOYOTOMI posee la autoridad para extender o modificar los términos de esta garantía limitada de la manera que sea.

Algunos estados no permiten la exclusión o limitación de daños directos o indirectos o limitaciones de la duración de una garantía implícita, de modo que puede que estas limitaciones o exclusiones no le sean aplicables a usted. Esta garantía limitada le da derechos legales específicos, y puede que usted tenga otros derechos que pueden variar de un estado a otro.

EXPLICAÇÃO DOS SÍMBOLOS



O aparelho está cheio com gás inflamável R290.



Antes de utilizar o aparelho, leia primeiro o manual do utilizador.



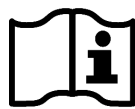
Antes de instalar o aparelho, leia primeiro o manual do utilizador.



Antes de reparar o aparelho, leia primeiro o manual do utilizador.

AVISO

- Leia atentamente este manual do utilizador antes de utilizar o aparelho e guarde-o para referência futura.
- Instale este dispositivo apenas quando estiver em conformidade com a legislação, decretos e normas locais/nacionais.
- Este produto destina-se a ser utilizado como desumidificador em casas residenciais e só é adequado para utilização em locais secos, em condições domésticas normais, no interior de salas de estar, cozinha e garagem.
- NÃO coloque o desumidificador em casas de banho ou noutros locais onde haja a possibilidade de ser pulverizada água.
- Ligue sempre este produto numa tomada eléctrica monofásica 220-240 V / ~50 Hz.
- O não cumprimento das instruções pode levar à anulação da garantia deste dispositivo.
- Siga rigorosamente as instruções do fabricante relativas à utilização e às reparações!



Caution, risk of fire, R290

AVISOS DE SEGURANÇA

Ao utilizar a unidade, observe as seguintes precauções de segurança:

1. Desligue o cabo de alimentação antes de limpar ou arrumar.
2. Os aparelhos podem ser utilizados em interiores, mas não em lavandarias.
3. NÃO coloque o aparelho perto de dispositivos geradores de calor ou perto de materiais inflamáveis e perigosos.
4. NUNCA coloque os dedos ou objectos nas condutas de admissão ou descarga.
5. NÃO se sente ou fique de pé sobre o aparelho.
6. Deitar fora a água recolhida no depósito, se necessário.
7. NÃO utilize o desumidificador numa área fechada, por exemplo dentro de um armário, pois pode provocar um incêndio.
8. NÃO coloque o aparelho próximo de itens comestíveis, objetos de arte ou materiais científicos.
9. Instale a tubagem de drenagem num declive para se certificar de que a água condensada é drenada continuamente.
10. Para evitar o perigo, se o cabo de alimentação estiver danificado, deve ser substituído pelo fabricante ou por uma pessoa igualmente qualificada.
11. O aparelho deve ser posicionado de modo a que a ficha fique acessível.
12. Mantenha uma distância de 20 cm em torno da unidade e da parede ou de outros objetos para garantir a circulação do ar.
13. O aparelho deve ser instalado de acordo com os regulamentos nacionais de cablagem.
14. O aparelho não pode ser utilizado em transportes públicos.
15. Este aparelho pode ser utilizado por crianças a partir dos 8 anos de idade e por pessoas com capacidades físicas, sensoriais ou mentais reduzidas ou com

falta de experiência e conhecimento, desde que tenham recebido supervisão ou instruções relativas à utilização do mesmo, de uma forma segura e compreendam os perigos envolvidos. As crianças não devem brincar com o aparelho. A limpeza e a manutenção não devem ser efetuadas por crianças sem supervisão.

16. As crianças devem ser supervisionadas para garantir que não brincam com o aparelho.
17. Os aparelhos claramente danificados não devem ser utilizados.

AVISO

Informações específicas relativas aos aparelhos com gás refrigerante R 290:

- O aparelho está cheio com gás inflamável R290.
- O R290 é um gás refrigerante que está em conformidade com as diretivas europeias sobre o ambiente. É um refrigerante natural (propano), não tóxico e livre de propriedades destruidoras da camada de ozono, com um potencial de aquecimento global muito baixo (GWP = 3).
- NÃO perfure nenhuma parte do circuito de refrigerante.
- NÃO utilize meios para acelerar o processo de descongelação ou para limpar, para além dos recomendados pelo fabricante.
- O aparelho deve ser mantido numa sala sem fontes de ignição em funcionamento contínuo (por exemplo: chamas abertas, um aparelho a gás em funcionamento ou um aquecedor elétrico em funcionamento).
- NÃO furar ou queimar.
- Tenha em atenção que os refrigerantes podem não apresentar odores.

- O aparelho deve ser instalado, utilizado e conservado numa sala com uma área de pavimento superior a 4 m².
- Se o aparelho for instalado, utilizado ou armazenado numa área não ventilada, a divisão deve ser concebida de modo a evitar a acumulação de fugas de refrigerante que possam provocar um risco de incêndio ou explosão devido à ignição do refrigerante por aquecimento eléctrico, fogões ou outras fontes de ignição.
- O aparelho deve estar em conformidade com os regulamentos nacionais relativos ao gás.
- A manutenção deve ser realizada apenas de acordo com as recomendações do fabricante.
- O aparelho deve ser conservado de modo a evitar danos mecânicos.
- Qualquer pessoa que esteja envolvida no trabalho num circuito de refrigeração ou que se inicie num circuito de refrigeração deve ser titular de um certificado válido atualizado emitido por uma autoridade de avaliação acreditada pelo setor, que autorize a sua competência para manusear os fluidos refrigerantes com segurança, em conformidade com uma especificação de avaliação reconhecida pelo setor.
- A manutenção deve ser realizada apenas de acordo com as recomendações do fabricante. A manutenção e reparação que necessitem da assistência de outro pessoal qualificado devem ser efetuadas sob a supervisão da pessoa competente para a utilização de fluidos refrigerantes inflamáveis.
- Para qualquer reparação de que necessite, contacte o Centro de Assistência Técnica autorizado mais próximo e siga rigorosamente apenas as instruções do fabricante.

AVISO PARA ELIMINAÇÃO

É proibido eliminar este aparelho no lixo doméstico. Existem várias possibilidades para a eliminação.

- 1 NÃO elimine este produto como lixo municipal não triado. É necessária a recolha separada destes resíduos para tratamento especial.
- 2 O município estabeleceu sistemas de recolha, onde os resíduos electrónicos podem ser eliminados sem encargos para o utilizador.
- 3 O fabricante recolherá o aparelho antigo para eliminação sem encargos para o utilizador.
- 4 Os produtos velhos contêm recursos valiosos. Podem ser vendidos a comerciantes de sucata metálica.

O despejo selvagem de resíduos em florestas e paisagens prejudica a saúde quando substâncias perigosas se infiltram na água subterrânea e entram na cadeia alimentar. Significado do caixote do lixo com rodas riscado. NÃO elimine os aparelhos eléctricos como lixo municipal não triado, utilize instalações de recolha seletiva. Entre em contacto com as autoridades locais para obter informações sobre os sistemas de recolha disponíveis. Se os eletrodomésticos forem despejados em aterros sanitários. As substâncias perigosas podem infiltrar-se nas águas subterrâneas e entrar na cadeia alimentar, prejudicando a sua saúde e bem-estar.



Esta marcação indica que este produto não deve ser eliminado com outros resíduos domésticos em toda a UE. Para evitar possíveis danos ao meio ambiente ou à saúde humana decorrentes do despejo descontrolado de resíduos, recicle-os de forma responsável para promover a reutilização sustentável dos recursos materiais. Para devolver o seu dispositivo usado, utilize os sistemas de recolha e devolução ou contacte o revendedor onde o produto foi adquirido. O revendedor pode levar este produto para reciclagem ambientalmente segura.

R290: 3

GERAL

Para obter o melhor desempenho do seu desumidificador, certifique-se de que todas as janelas estão fechadas para obter a máxima eficiência.

A capacidade do desumidificador depende da temperatura e da humidade na divisão, a temperaturas mais baixas será removida menos humidade.

CARACTERÍSTICAS

Poderosa capacidade de desumidificação

Tirando partido da tecnologia de refrigeração, o desumidificador remove poderosamente a hidratação do ar para diminuir o nível de humidade da divisão e manter o ar interior seco e confortável.

Design Portátil Leve

O desumidificador foi concebido para ser compacto e leve. As rodas na parte inferior do aparelho facilitam o deslocamento de uma divisão para outra.

Operação a Baixa Temperatura com Descongelamento Automático

Quando a unidade estiver a funcionar a uma temperatura ambiente entre 7°C e 12°C, parará para descongelar de 30 em 30 minutos.

Quando a unidade estiver a funcionar a uma temperatura ambiente entre 12°C e 20°C, parará para descongelar de 45 em 45 minutos.

Higróstato ajustável

Ajuste o nível de humidade desejado através do higróstato.

Temporizador Ligar / Desligar

Programa o aparelho para se ligar e desligar automaticamente.

Funcionamento silencioso

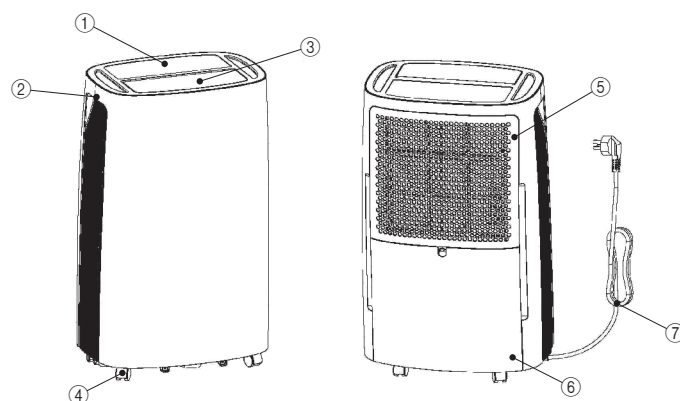
O desumidificador funciona com um baixo nível de ruído.

Eficiência Energética

O consumo de energia do aparelho é baixo.

1. DESCRIÇÃO

PEÇAS



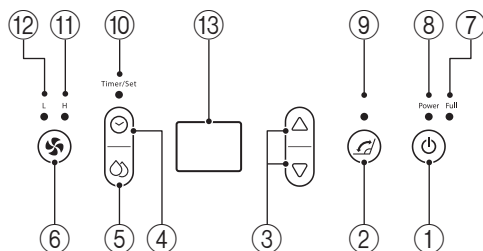
1. Painel de controlo
2. Alça
3. Pára-brisa
4. Roda
5. Caixa do filtro
6. Deposito de agua
7. Cabo de alimentacao

OPCIONAL



1. Mangueira de drenagem

PAINEL DE OPERAÇÃO



- | | |
|------------------------------|--------------------------------------|
| 1. Botão de ligar/desligar | 2. Botão de articulação |
| 3. Botão de regulação | 4. Botão Temporizador |
| 5. Botão de configuração | 6. Botão de velocidade do ventilador |
| 7. Lâmpada de depósito cheio | 8. Lâmpada de energia |
| 9. Luz de girar | 10. Lâmpada temporizador/Config. |
| 11. Lâmpada ventilador alto | 12. Lâmpada ventilador baixo |
| 13. Painel de Indicação | |

2. OPERAÇÃO

Nível de humidade e visor de 2 dígitos do temporizador



O indicador possui 3 funções:

- Quando a unidade é ligada, indica o nível de humidade do ambiente.
- Quando define a humidade, indicará a humidade que selecionou.
- Quando programa a hora para o aparelho ligar e desligar, será mostrada a hora.
- Quando a humidade ambiente for inferior a 35%, mostrará "35".
- Quando a humidade ambiente for superior a 95%, mostrará "95".

3. INSTRUÇÕES DE UTILIZAÇÃO

A luz de indicação de alimentação acende quando o aparelho está ligado à corrente, independentemente de o aparelho estar ou não em funcionamento.

- Ligar/desligar**
Pressione o botão para iniciar o dispositivo, quando o dispositivo está parado; ou pressione para desligá-lo, quando o dispositivo estiver operando.
- Ajuste de humidade**
Pressione o botão para ajustar a umidade, então pressione Δ ou ∇ para ajustar a umidade de 40% até 80%, cada configuração é de 5%, a luz do LED piscará e irá exibir ao ajustar. Pare de pressionar por 5 segundos, e o visor voltará ao normal. A umidade padrão é de 40%.
- Definição da velocidade do ventilador**
Pressione o botão para a velocidade do ventilador configurar rápido ou lento, e a luz correspondente antes que a velocidade do ventilador acenda.
- Ajuste de Girar**
Depois que o dispositivo é ligado, pressionar o botão para giro iniciar ou parar a palheta de saída de ar.
- Ajuste de tempo**
Pressione o botão para definir a hora de início quando o dispositivo está parado, então a luz do LED acenderá e será exibido, você pode pressionar Δ ou ∇ o botão e tem hora de início automático ajustável de 1 a 24 horas. Pressione o botão para o status de configuração do tempo de desligamento entre quando dispositivo gira, então o LED acenderá exibindo a hora, você pode pressionar o Δ ou ∇ para o automático ajustar o tempo de parada de 1 a 24 horas. O tempo programado permanece inalterado quando o dispositivo parar de trabalhar devido à água cheia ou durante o degelo. Uma vez ativado ou desativado por o usuário, pode o dispositivo perder a função de temporização.

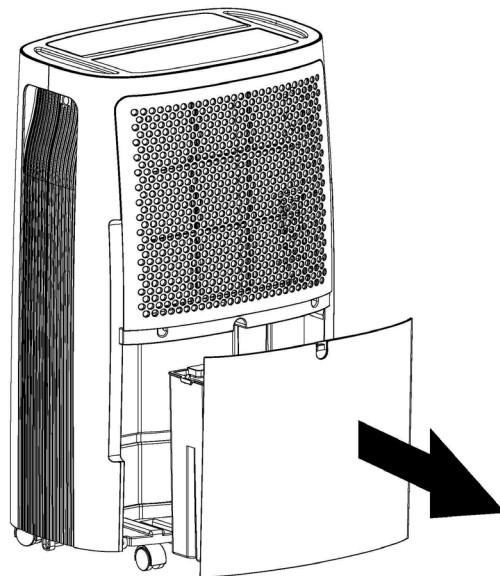
4. DRENAGEM DA ÁGUA RECOLHIDA

Quando o depósito de drenagem estiver cheio, o indicador luminoso de enchimento do depósito acende, a operação pára automati-

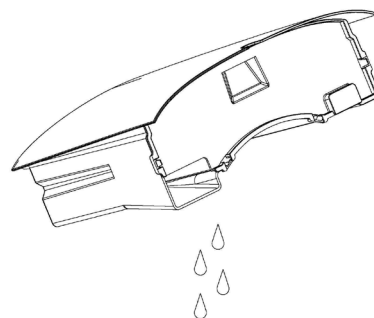
camente e são emitidos 15 sinais sonoros para alertar o utilizador de que a água necessita de ser esvaziada do depósito de drenagem.

5. ESAZIAMENTO DO DEPÓSITO DE DRENAGEM

- Pressione ligeiramente os lados do depósito com ambas as mãos e puxe o depósito suavemente para fora.

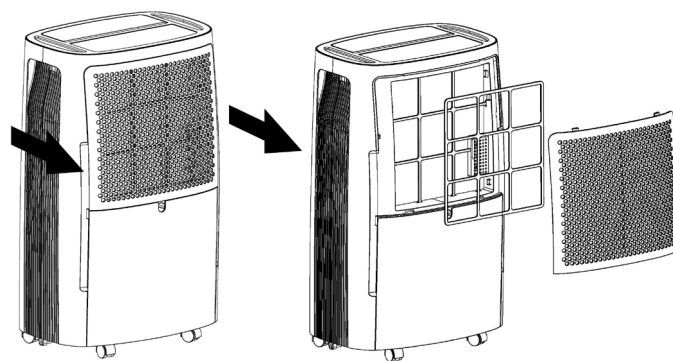
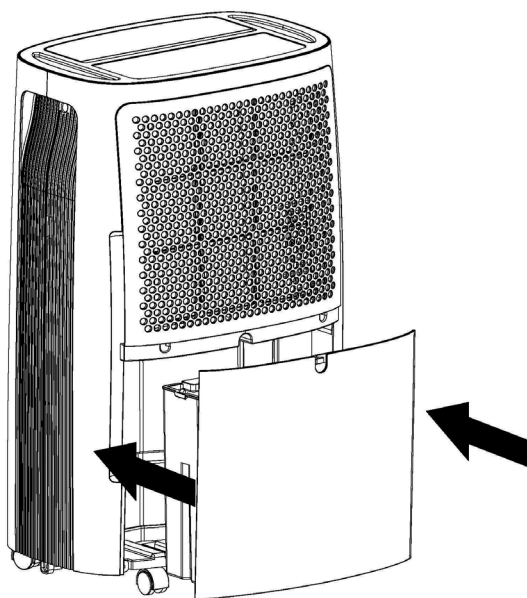


- Deite fora a água recolhida.

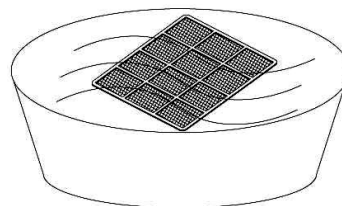


NOTA

- Se o depósito de drenagem estiver sujo, lave-o com água fria ou morna. Não utilize detergente, esfregões, panos de pó tratados quimicamente, gasolina, benzeno, diluente ou outros solventes, pois podem riscar e danificar o depósito e provocar fugas de água.
- Ao substituir o depósito de drenagem, pressione o depósito firmemente no lugar com ambas as mãos. Se o depósito não estiver posicionado corretamente, o sensor "DEPÓSITO CHEIO" será ativado e o desumidificador deixará de funcionar.



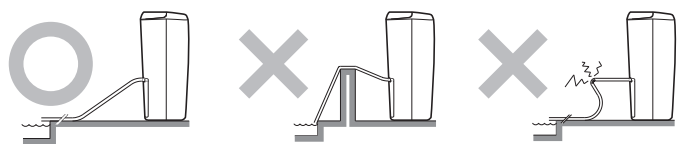
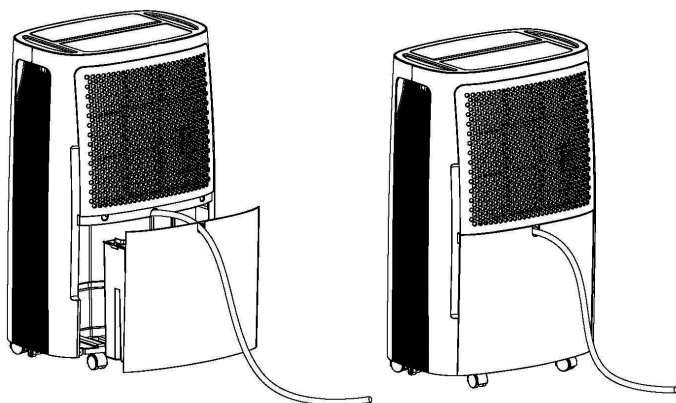
2. Limpe o filtro de ar
 Passe um aspirador suavemente sobre a superfície do filtro de ar para remover a sujidade. Se o filtro de ar estiver excepcionalmente sujo, lave-o com água morna e um produto de limpeza suave, e seque bem.



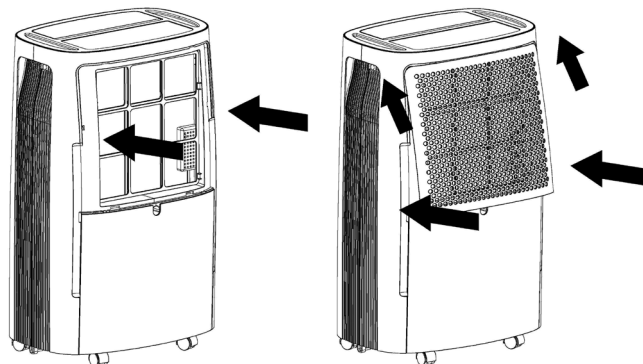
6. DRENAGEM DE ÁGUA CONTÍNUA

O aparelho dispõe de uma porta de drenagem contínua. Insira um tubo de plástico (com um diâmetro interno de 10 mm), no orifício de drenagem (na placa intermédia), estenda-o para fora do lado do reservatório de água, coloque-o no lugar e componha o tubo de drenagem.

A água no depósito de drenagem pode ser continuamente drenada a partir da porta contínua do aparelho.



3. Monte o filtro de ar
 Insira o filtro na grelha suavemente e coloque a grelha de entrada no lugar certo.



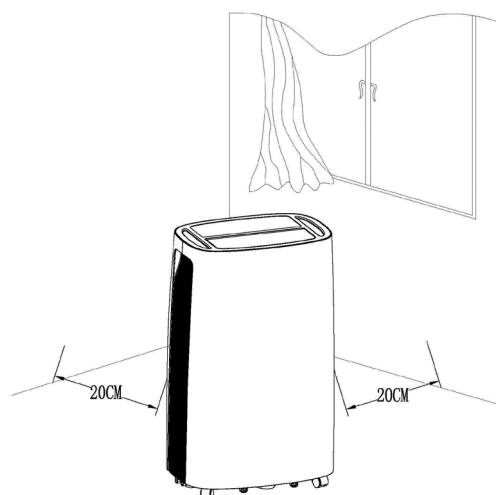
Armazenamento do desumidificador

Quando o aparelho não estiver a ser utilizado durante um longo período de tempo e quiser guardá-lo, observe os seguintes passos:

1. Esvazie a água deixada no depósito de drenagem.
2. Dobre o cabo de alimentação e coloque-o no depósito de água.
3. Limpe o filtro de ar.
4. Deite fora em local fresco e seco.

Afastamento

Mantenha uma distância mínima ao redor do desumidificador quando o aparelho estiver a funcionar, como mostrado no desenho à esquerda.



7. MANUTENÇÃO

Limpeza do desumidificador

Para limpar o corpo

Limpe-o com um pano macio e húmido.

Para limpar o filtro de ar

1. Abra primeiro a grelha de entrada e retire o filtro de ar.

8. RESOLUÇÃO DE PROBLEMAS

Se uma das condições listadas abaixo ocorrer, verifique os seguintes itens antes de ligar para o serviço de atendimento ao cliente.

Problema	Causa Possível	Solução
O aparelho não funciona	O cabo de alimentação foi desligado?	Ligue o cabo de alimentação à tomada.
	A lâmpada de indicação de depósito cheio está a piscar? (O depósito está cheio ou numa posição errada.)	Esvazie a água no depósito de drenagem e, de seguida, reposicione o depósito.
	A temperatura ambiente está acima de 35°C ou abaixo de 7°C?	O dispositivo de proteção está ativado e o aparelho não liga.
A função de desumidificação não funciona	O filtro de ar está entupido?	Limpe o filtro de ar conforme indicado em "Limpeza do desumidificador".
	A conduta de admissão ou de descarga estão obstruídas?	Remova a obstrução da conduta de descarga ou da conduta de admissão.
Não há descarga de ar	O filtro de ar está entupido?	Limpe o filtro de ar conforme indicado em "Limpeza do desumidificador".
Funcionamento ruidoso	O aparelho está inclinado ou instável?	Transfira o aparelho para um local estável e seguro.
	O filtro de ar está entupido?	Limpe o filtro de ar conforme indicado em "Limpeza do desumidificador".

9. NOTA PARA TRABALHO DE MANUTENÇÃO

1. Verificações da área

Antes de iniciar o trabalho em sistemas que contenham refrigerantes inflamáveis, são necessárias verificações de segurança para garantir que o risco de ignição seja minimizado. Para a reparação do sistema de refrigeração, devem ser cumpridas as seguintes precauções antes da realização de trabalhos no sistema. Procedimento de trabalho

Os trabalhos deverão ser realizados segundo um procedimento controlado, de modo a minimizar o risco de presença de gases ou vapores inflamáveis durante a sua execução.

2. Área de trabalho geral

Todo o pessoal de manutenção e outros que trabalhem na área local deverão ser instruídos sobre a natureza do trabalho a ser executado. Deve evitar-se o trabalho em espaços confinados. A área em torno do espaço de trabalho deve ser seccionada. Certifique-se de que as condições dentro da área foram protegidas pelo controlo de materiais inflamáveis.

3. Verificação da presença de refrigerante

Para garantir que o técnico está ciente de atmosferas potencialmente inflamáveis, a área deve ser verificada com um detector de refrigerante adequado antes e durante o trabalho. Certifique-se de que o equipamento de deteção de fugas utilizado é adequado para utilização com refrigerante inflamável, ou seja, sem faíscas, adequadamente selado ou intrinsecamente seguro.

4. Presença de extintor de incêndio

Se for necessário realizar trabalhos a quente no equipamento de refrigeração ou em partes associadas, deverá estar disponível um equipamento de extinção de incêndios adequado. Disponha de um extintor de pó seco ou CO₂ perto da área de carregamento.

5. Ausência de fontes de ignição

As pessoas que executem trabalhos relacionados com um sistema de refrigeração que impliquem a exposição de tubagens que contenham ou tenham contido refrigerantes inflamáveis não podem utilizar quaisquer fontes de ignição de tal forma que possam conduzir ao risco de incêndio ou explosão. Todas as possíveis fontes de ignição, incluindo o consumo de cigarros, devem ser mantidas suficientemente afastadas do local de instalação, reparação, remoção e eliminação, durante o qual o fluido refrigerante inflamável pode ser libertado para o espaço circundante. Antes da realização dos trabalhos, a área em redor do equipamento deve ser inspecionada para garantir que não existem riscos de inflamabilidade ou de ignição. Devem ser afixados sinais de "Não fumar".

6. Área ventilada

Antes de entrar no sistema ou de realizar qualquer trabalho a quente, certifique-se de que a área é aberta ou que está adequadamente ventilada. Deve continuar a existir um certo grau de ventilação durante o período em que o trabalho é realizado. A ventilação deve dispersar com segurança qualquer refrigerante libertado e, de preferência, expulsá-lo externamente para a atmosfera.

7. Verificações ao equipamento de refrigeração

Quando se proceder à substituição de componentes elétricos, estes devem ser adequados ao fim a que se destinam e à especificação correta. As diretrizes de manutenção e de serviço do fabricante devem ser sempre seguidas. Em caso de dúvida, consulte o departamento técnico do fabricante para obter assistência. As seguintes verificações devem ser aplicadas às instalações que utilizam fluidos refrigerantes inflamáveis:

- o tamanho da carga de acordo com o tamanho do compartimento no qual as peças que contêm refrigerante estão instaladas;
- as máquinas e as saídas de ventilação estão a funcionar adequadamente e não estão obstruídas.

8. Controlos aos dispositivos eléctricos

A reparação e manutenção de componentes eléctricos deve incluir verificações iniciais de segurança e procedimentos de inspeção de componentes. Se existir uma falha que possa comprometer a segurança, não deve ser ligada nenhuma alimentação eléctrica ao circuito até que este seja satisfatoriamente resolvido. Se a avaria não puder ser corrigida imediatamente, mas for necessário continuar a funcionar, deve ser utilizada uma solução temporária adequada. Isto deve ser comunicado ao proprietário do equipamento para que todas as partes sejam avisadas. As verificações de segurança iniciais devem incluir:

- que os condensadores são descarregados: tal deve ser feito de modo seguro para evitar a possibilidade de faíscas;
- que não existem componentes eléctricos e fios sob tensão expostos durante o carregamento, recuperação ou purga do sistema;
- que há continuidade na ligação à terra.

9. Reparações em componentes selados

Durante as reparações de componentes selados, todas as fontes de alimentação eléctrica devem ser desligadas do equipamento em serviço antes da remoção das tampas seladas, etc. Se for absolutamente necessário dispor de alimentação eléctrica para o equipamento durante a manutenção, deve ser colocada uma forma de deteção de fugas em funcionamento permanente no ponto mais crítico para alertar para uma situação potencialmente perigosa.

Deve ser dada especial atenção aos seguintes aspetos para assegurar que, ao trabalhar nos componentes eléctricos, o corpo não seja alterado de modo a afetar o nível de proteção. Isto deve incluir danos nos cabos, número excessivo de ligações, terminais não conformes com as especificações originais, danos nos vedantes, instalação incorreta dos prensa-cabos, etc. Certifique-se de que o aparelho está montado de forma segura. Assegure-se de que os vedantes ou materiais de vedação não se degradaram de tal forma que já não sirvam para impedir a penetração de atmosferas inflamáveis; as peças de substituição devem estar em conformidade com as especificações do fabricante.

NOTA: A utilização de vedante de silicone pode inibir a eficácia de alguns tipos de equipamento de deteção de fugas. Os componentes intrinsecamente seguros não precisam ser isolados antes de trabalhar neles.

10. Reparação de componentes intrinsecamente seguros

Não aplique ao circuito quaisquer cargas indutivas ou de capacitância permanentes sem garantir que este não exceda a tensão e a corrente permitidas para o equipamento em utilização. Os componentes intrínsecos são os únicos que podem ser trabalhados sob tensão na presença de uma atmosfera inflamável. A aparelhagem de ensaio deve ter a classificação correta. Substitua os componentes apenas por peças especificadas pelo fabricante. Outras peças podem resultar na ignição do refrigerante na atmosfera devido a uma fuga.

11. Cablagem

Verifique se a cablagem não está sujeita a desgaste, corrosão, pressão excessiva, vibração, arestas vivas ou quaisquer outros efeitos ambientais adversos. A verificação deve ter igualmente em conta os efeitos do envelhecimento ou das vibrações contínuas provenientes de fontes como compressores ou ventiladores.

12. Detecção de fugas em refrigerantes inflamáveis

Em circunstância alguma devem ser utilizadas fontes potenciais de ignição na procura ou deteção de fugas de fluido refrigerante. Não deve ser utilizada uma tocha de halogéneo (ou qualquer outro detetor que utilize uma chama viva).

13. Métodos de deteção de fugas

Os seguintes métodos de deteção de fugas são aceitáveis para sistemas que contenham refrigerante inflamável. Devem ser utilizados detetores eletrónicos de fugas para a deteção de fluidos refrigerantes inflamáveis, mas a sensibilidade pode não ser adequada ou pode necessitar de recalibração (o equipamento de deteção deve ser calibrado numa zona sem fluidos refrigerantes). Certifique-se de que o detetor não é uma fonte potencial de ignição e é adequado para o refrigerante utilizado.

Os fluidos de deteção de fugas são adequados para utilização com a maioria dos refrigerantes, mas deve evitar-se a utilização de detergentes que contenham cloro, uma vez que o mesmo pode reagir com o refrigerante e corroer a tubagem de cobre.

Em caso de suspeita de fuga, todas as chamas vivas devem ser removidas/extintas.

Se for detetada uma fuga de fluido refrigerante que exija brasagem, todo o fluido refrigerante deve ser recuperado do sistema. O azoto isento de oxigénio (OFN) é então purgado através do sistema antes e durante o processo de brasagem.

14. Remoção e evacuação

Ao entrar no circuito de fluido refrigerante para efetuar reparações - ou para quaisquer outros fins - devem ser utilizados procedimentos convencionais. No entanto, é importante que as melhores práticas sejam seguidas, uma vez que a Flamabilidade também deve ser considerada. Deve ser respeitado o seguinte procedimento:

Remover o refrigerante;

Purgar o circuito com gás inerte;

Evacuar;

Purgar novamente com gás inerte;

Abrir o circuito por corte ou brasagem.

A carga de fluido refrigerante deve ser recuperada para cilindros de recuperação adequados. O sistema deve ser " enxaguado " com OFN para tornar a unidade segura. Este processo pode ter de ser repetido várias vezes. O ar comprimido ou o oxigénio não devem ser utilizados para esta tarefa.

Para se conseguir a descarga é necessário romper o vácuo no sistema com OFN e continuar a encher até se atingir a pressão de funcionamento, ventilando em seguida para a atmosfera e, por fim, baixando para um vácuo. Este processo deve ser repetido até que não haja fluido refrigerante no sistema. Quando for utilizada a carga OFN final, o sistema deve ser ventilado até à pressão atmosférica para permitir a realização dos trabalhos. Esta operação é absolutamente vital para a realização de operações de brasagem na tubagem. Certifique-se de que a saída da bomba de vácuo não está perto de fontes de ignição e de que há ventilação disponível.

15. Procedimentos de carregamento do refrigerante

Para além dos procedimentos de carregamento convencionais, devem ser observados os seguintes requisitos:

- Certifique-se de que não ocorre contaminação de refrigerantes diferentes ao utilizar o equipamento de carga. As manjeiras ou tubagens devem ser tão curtas quanto possível

para minimizar a quantidade de fluido refrigerante nelas contido.

- Os cilindros devem ser mantidos na posição vertical.
- Certifique-se de que o sistema de refrigeração está ligado à terra antes de carregar o sistema com refrigerante.
- Coloque etiquetas no sistema quando o carregamento estiver concluído (caso ainda não o tenha feito).
- Deve ter-se extremo cuidado para não encher demasiado o sistema de refrigeração.

Antes de recarregar o sistema, este deve ser submetido a um ensaio de pressão com OFN. O sistema deve ser submetido a um ensaio de estanquidade após a conclusão do carregamento, mas antes da colocação em serviço. Deve ser efectuado um ensaio de estanquidade de seguimento antes de deixar o local.

16. Desmantelamento

Antes de realizar este procedimento, é essencial que o técnico esteja completamente familiarizado com o equipamento e todos os seus detalhes. Recomenda-se como boa prática que todos os refrigerantes sejam recuperados com segurança. Caso seja necessária uma análise antes da reutilização do fluido refrigerante recuperado, antes da execução da tarefa, deve ser recolhida uma amostra de óleo e fluido refrigerante. É essencial que haja energia elétrica disponível antes do início da tarefa.

Familiarize-se com o equipamento e o seu funcionamento.

- a) Isolar o sistema eletricamente.
- b) Antes de iniciar o procedimento, certifique-se de que: o equipamento de manuseamento mecânico está disponível, se reparado, para o manuseamento de garrafas de refrigerante; todos os equipamentos de protecção individual estão disponíveis e a ser utilizados corretamente; o processo de recuperação é sempre supervisionado por uma pessoa competente; o equipamento e as garrafas de recuperação estão em conformidade com as normas adequadas.
- c) Bombear o sistema de refrigerante, se possível.
- d) Se não for possível um vácuo, faça uma derivação para que o refrigerante possa ser removido de várias partes do sistema.
- e) Certifique-se de que o cilindro se encontra nas escalas antes da recuperação.
- f) Ligue a máquina de recuperação e utilize-a de acordo com as instruções do fabricante.
- g) Não encher demasiado os cilindros (Não mais de 80% do volume de carga líquida).
- h) Não exceda a pressão máxima de trabalho do cilindro, ainda que temporariamente.
- i) Quando os cilindros tiverem sido corretamente enchidos e o processo concluído, certifique-se de que os cilindros e o equipamento são retirados do local imediatamente e de que todas as válvulas de isolamento do equipamento estão fechadas.
- j) O fluido refrigerante recuperado não deve ser carregado noutra sistema de refrigeração, a menos que tenha sido limpo e verificado.

17. Etiquetagem

Os equipamentos devem ser etiquetados de forma a indicar que foram desativados e esvaziados de fluido refrigerante. O rótulo deve ser datado e assinado. Certifique-se de que existem etiquetas no equipamento indicando que o equipamento contém refrigerante inflamável.

18. Recuperação

Ao remover o refrigerante de um sistema, seja para manutenção ou desativação, recomenda-se como boa prática que todos os refrigerantes sejam removidos com segurança.

Ao transferir o refrigerante para os cilindros, certifique-se de que apenas são utilizados cilindros de recuperação de refrigerante adequados. Certifique-se de que está disponível o número correto de cilindros para manter a carga total do sistema. Todos os cilindros a utilizar são concebidos para o fluido refrigerante recuperado e rotulados para esse fluido refrigerante (ou seja, cilindros especiais para a recuperação do fluido refrigerante). Os cilindros devem estar completos, com o valor de descompressão e os valores de interrupção associados, em bom estado de funcionamento. Os cilindros de recuperação vazios são evacuados e, se possível, arrefecidos antes de ocorrer a recuperação.

O equipamento de recuperação deve estar em boas condições

de funcionamento, com um conjunto de instruções relativas ao mesmo, e deve ser adequado à recuperação de fluidos refrigerantes inflamáveis.

Além disso, deve estar disponível um conjunto de balanças calibradas e em bom estado de funcionamento. As mangueiras devem estar munidas de uniões de corte sem fugas e em bom estado.

Antes de utilizar a máquina de recuperação, verifique se esta se encontra em bom estado de funcionamento, se foi devidamente mantida e se todos os componentes eléctricos associados estão selados para evitar a ignição em caso de libertação de refrigerante. Em caso de dúvida, consulte o fabricante.

O fluido refrigerante recuperado deve ser devolvido ao fornecedor no cilindro de recuperação correto, devendo providenciar-se a respetiva Nota de Transferência de Resíduos. Não misture refrigerantes em unidades de recuperação, especialmente em cilindros.

Se for necessário remover compressores ou óleos de compressor, certifique-se de que os mesmos foram evacuados para um nível aceitável para garantir que o refrigerante inflamável não permaneça dentro do lubrificante. O processo de evacuação deve ser realizado antes da devolução do compressor aos fornecedores. Para acelerar este processo, só deve ser utilizado o aquecimento eléctrico do corpo do compressor. A operação de drenagem de óleo de um sistema deve ser executada com segurança.

19. Transporte de equipamento contendo refrigerantes inflamáveis

Determinado pelos regulamentos locais.

20. Aparelhos fora de utilização, refrigerantes inflamáveis

Ver Regulamentação Nacional.

21. Equipamento de embalagem de armazenamento não comercializado (não comercializado)

A proteção da embalagem de armazenamento deve ser construída de forma que os danos mecânicos ao equipamento dentro da embalagem não causem uma fuga da carga de refrigerante.

O número máximo de unidades de equipamento que podem ser armazenadas em conjunto será determinado pelos regulamentos locais.

10. ESPECIFICAÇÕES

Modelo	TD-C 1416	TD-C 1420
Capacidade	16 L/D (30°C, 80% RH)	20 L/D (30°C, 80% RH)
Fonte de Alimentação	220-240 V ~ / 50 Hz	220-240 V ~ / 50 Hz
Consumo de energia	260 W	325 W
Intervalo de operação	7°C - 35°C	7°C - 35°C
Refrigerante	R290 (75g)	R290 (90g)
GWP	3	3
Peso	12 kg	14 kg
Pressão (alta / baixa)	1.8 / 0.6 Mpa	1.8 / 0.6 Mpa
Pressão (máx.)	3.00 Mpa	3.00 Mpa
Proteção da unidade	IPX0	IPX0

A capacidade de desumidificação é classificada a uma temperatura ambiente de **30°C com uma humidade relativa de 80%**.

Se as especificações forem melhoradas após esta indicação, a placa de identificação do produto refletirá as novas especificações.

A temperatura operacional está na faixa de 7°C a 35°C e humidade relativa máxima de 80%. Se a temperatura ambiente estiver fora deste intervalo, o aparelho não funcionará normalmente. O valor GWP do refrigerante R290 é 3.

GARANTIA LIMITADA

TOYOTOMI CO., LTD. A ("TOYOTOMI") garante que todos os produtos e peças que comercializa estão isentos de defeitos de material ou de fabrico em condições normais de utilização e manutenção pelo período de TRINTA E SEIS (36) MESES a contar da data de entrega ao comprador original retalhista, sujeito aos seguintes termos e condições:

O QUE ESTÁ COBERTO:

O produto ou quaisquer peças do mesmo que apresentem defeitos de material ou de fabrico.

O QUE NÃO ESTÁ COBERTO:

Esta garantia não abrange qualquer defeito devido a negligência de terceiros; falha na instalação, operação ou manutenção da unidade de acordo com as instruções (instruções de manutenção e operação são fornecidas com cada nova unidade); utilização não razoável, acidentes, alteração, utilização de peças e acessórios TOYOTOMI não autorizados ou não padronizados; mau funcionamento eléctrico, isto é, resultante de grandes picos de energia, circuito fotográfico, etc.; instalação incorreta; ou reparação por qualquer outra entidade que não um serviço especificado pela TOYOTOMI.

QUEM ESTÁ COBERTO: O comprador original no retalho.

O QUE FAREMOS: A TOYOTOMI reparará ou substituirá, a seu critério, gratuitamente, todas as peças defeituosas cobertas por esta garantia limitada em regime de transporte para o seu revendedor ou distribuidor autorizado mais próximo da TOYOTOMI.

O QUE DEVERÁ FAZER PARA O SERVIÇO DE GARANTIA: Deverá devolver o Produto ou peça defeituosa a qualquer revendedor ou distribuidor autorizado da TOYOTOMI com esta GARANTIA LIMITADA. Se o serviço não estiver disponível localmente, contacte o nosso DEPARTAMENTO DE RELAÇÕES COM O CLIENTE:

TOYOTOMI EUROPE SALES B.V.

E-MAIL: info@toyotomi.eu





INTERNET: www.toyotomi.eu

O PRECEDENTE EXPRESSA TODAS AS OBRIGAÇÕES E RESPONSABILIDADES DA TOYOTOMI RELATIVAMENTE À QUALIDADE DO PRODUTO FORNECIDO PELA MESMA. TODAS AS OUTRAS GARANTIAS, EXPRESSAS OU IMPLÍCITAS, INCLUINDO AS GARANTIAS DE COMERCIALIZAÇÃO OU DE ADEQUAÇÃO PARA UMA FINALIDADE ESPECÍFICA SÃO RENUNCIADAS. A TOYOTOMI NÃO É RESPONSÁVEL PELA PERDA DE UTILIZAÇÃO DO PRODUTO, INCONVENIÊNCIA, PERDA OU QUAISQUER OUTROS DANOS, DIRETOS OU CONSEQUENTES DECORRENTES DA UTILIZAÇÃO OU INCAPACIDADE DE UTILIZAÇÃO DO PRODUTO OU DANOS RESULTANTES OU ATRIBUÍVEIS A DEFEITOS NO PRODUTO.

Nenhuma outra entidade que não a TOYOTOMI tem autoridade para estender ou modificar os termos desta Garantia Limitada independentemente da forma.

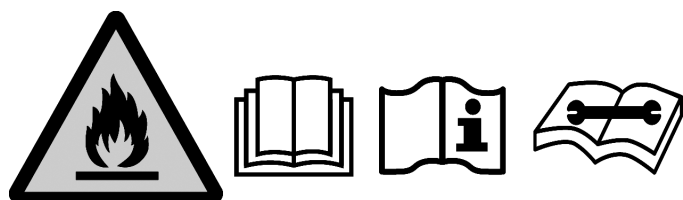
Alguns estados não permitem a exclusão ou limitação de danos incidentais ou consequenciais ou limitações sobre a duração de uma garantia implícita, pelo que estas limitações ou exclusões podem não se aplicar a si. Esta Garantia Limitada dá-lhe direitos legais específicos e pode também ter outros direitos que variam de estado para estado.

FORKLARING AF SYMBOLER

-  Apparatet er fyldt med brændbar R290-gas.
-  Læs brugermanualen, før du anvender apparatet.
-  Læs installationsmanualen, før du installerer apparatet.
-  Læs servicemanualen, før du reparerer apparatet.

BEMÆRK

- Læs denne brugsvejledning grundigt før apparatet tages i brug, og gem den til senere brug.
- Installer kun denne enhed, når den er i overensstemmelse med lokale/nationale bestemmelser, vedtægter og standarder.
- Dette produkt er beregnet til at blive brugt som en affugter i private hjem og er kun egnet til brug i tørre omgivelser, under normale husstandsforhold, indendørs i stue, køkken og garage.
- Placer IKKE affugteren på badeværelser eller andre steder, hvor det er sandsynligt, at vand kan sprøjtes på affugteren.
- Tilslut altid dette produkt til en enfaset stikkontakt på 220-240 V / ~50 Hz.
- Hvis ikke instruktionerne følges, kan det medføre, at garantien ophæves på denne enhed.
- Følg producentens instrukser nøje, hvad angår anvendelsen og reparationer!



Caution, risk of fire, R290

SIKKERHEDSADVARSLER

Træf venligst følgende sikkerhedsforanstaltninger, når du anvender enheden:

1. Frakobl strømkablet før enheden rengøres eller opbevares.
2. Apparaterne kan anvendes indendørs, men ikke i vaskerum.
3. Placer IKKE enheden tæt på varmeskabende enheder eller i nærheden af brændbare eller farlige materialer.
4. Placer ALDRIG dine fingre eller genstande i indsugnings- eller udledningskanalerne.
5. Sid og stå IKKE på enheden.
6. Bortskaf vand, der samles i beholderen, efter behov.
7. Anvend IKKE affugteren i et lukket område, såsom i et skab, da dette kan forårsage ildebrand.
8. Anvend IKKE enheden i nærheden af fødevarer, kunstgenstande eller videnskabelige materialer.
9. Monter afløbsrør ned ad hældningen for at sikre at kondenseret vand kan drænes uafbrudt.
10. Hvis strømkablet beskadiges, skal det erstattes af producenten eller af en person med tilsvarende kvalifikation for at undgå risiko.
11. Apparatet skal placeres så strømkablet er tilgængeligt.
12. Hold venligst 20 cm afstand mellem enheden og væggen eller andre genstande for at sikre luftcirkulation.
13. Apparatet skal monteres i overensstemmelse med lokale og nationale elforordninger.
14. Apparatet må ikke anvendes i offentlig transport.
15. Dette apparat kan anvendes af børn på 8 år eller ældre og personer med reduceret fysisk, sansemæssig eller mental kapacitet eller personer uden kendskab eller erfaring, hvis de er blevet givet opsyn eller instruktion i anvendelse.

sen af apparatet på en sikker måde og forstår de forbundne risici. Børn må ikke lege med apparatet. Rengøring og brugervedligeholdelse må ikke udføres af børn uden opsyn.

16. Børn bør holdes under opsyn for at sikre, at de ikke leger med apparatet.
17. Apparater, der er tydeligt beskadiget, må ikke anvendes.

ADVARSEL

Specifikke oplysninger vedrørende apparater med R290 kølemiddelsgas:

- Apparatet er fyldt med brændbar R290-gas.
- R290 er et kølemiddelsgas, der overholder de europæiske miljødirektiver. Dette er et naturligt kølemiddel (propan), der ikke er giftig, er uden ozonnedbrydende egenskaber og har en meget lav global opvarmningspotentiale (GWP = 3).
- Lav IKKE hul på nogen del af kølemiddelkredsløbet.
- Anvend IKKE metoder til at fremskynde afrimningsprocessen eller til rengøring andre end dem, der anbefales af producenten.
- Apparatet bør opbevares i et værelse uden antændelseskilder i kontinuerlig drift (for eksempel: åben ild, et aktivt gasapparat eller et aktivt el-varmelegeme).
- Gennembor eller brænd IKKE enheden.
- Vær bevidst over at kølemidler muligvis ikke har nogen duft.
- Apparatet skal monteres, anvendes og opbevares i et værelse med et gulvareal større end 4 m².
- Hvis apparatet monteres, anvendes eller opbevares i et ikke-ventileret område, bør lokalet være designet til at forhindre ophobning af kølemiddellækage, der ville medføre brand- eller eksplosionsfare i tilfælde af at kølemidlet blev antændt af elektriske varmelegemer, ovne eller andre antændelseskilder.

- Apparatet skal overholde nationale gasforordninger.
- Servicing må kun udføres som anbefalet af producenten.
- Apparatet skal opbevares på en måde, der forhindrer mekanisk beskadigelse af apparatet.
- Enhver person, der arbejder med eller bryder ind i en kølemiddelkredsløb, bør have et gyldigt certifikat fra en industrigodkendt evalueringsmyndighed, der bemyndiger deres kompetence til at håndtere kølemidler sikkert og i overensstemmelse med en industrigodkendt evaluerings-specifikation.
- Servicing må kun udføres som anbefalet af udstyrets producent. Vedligeholdelse og reparation, der kræver hjælp fra andre fagfolk, skal udføres under opsyn af en person, der er faglært i anvendelsen af brændbare kølemidler.
- For eventuel reparation bedes du kontakte det nærmeste autoriserede servicecenter og udelukkende følge producentens instrukser.

ADVARSEL OM BORTSKAFFELSE

Det er forbudt at bortskaffe dette apparat sammen med husholdningsaffald. Der er flere måder at bortskaffe den på.

- 1 Bortskaf IKKE dette produkt sammen med usorteret kommunalaffald. Det er nødvendigt at indsamle sådant affald separat for at særbehandle det.
- 2 Kommunen har oprettet indsamlingssystemer, hvor elektronisk affald kan bortskaffes, og brugeren som minimum ikke skal betale for det.
- 3 Producenten vil tage det gamle apparat tilbage til bortskaffelse, hvor brugeren som minimum ikke skal betale for det.
- 4 Da gamle produkter indeholder værdifulde ressourcer. De kan sælges til skrothandlere.

Ulovlig bortskaffelse af affald i skove og i naturen er farligt for din sundhed, da farlige stoffer kan sive ned i grundvandet og finde

vej ind i fødekæden. Betydningen af den afkrydsede skraldespand med hjul. Bortskaf IKKE el-apparater som usorteret kommunalaffald. Anvend særskilte indsamlingsfaciliteter. Kontakt din lokale myndigheder for at få oplysninger vedrørende de tilgængelige indsamlingsordninger. Hvis el-apparater bortskaffes i affaldsdepoters losseplads. Skadelige stoffer kan sive ned i grundvandet og komme ind i fødekæden og dermed beskadige din sundhed og velvære.



Denne markering angiver, at dette produkt ikke bør bortskaffes sammen med andet husholdningsaffald i hele EU. For at forhindre beskadigelse af miljøet eller menneskers sundhed pga. ukontrolleret bortskaffelse af affald, bør det sendes til genbrug på ansvarlig vis for at fremme den bæredygtige anvendelse af materielle ressourcer. For at returnere din brugte enhed, bedes du anvende returnerings- og indsamlingsordningerne eller kontakte forhandleren, hvor produktet blev købt. De kan tage imod produktet for at sende den til genbrug på en miljømæssigt sikker måde.

R290: 3

GENERELT

Sørg for, at alle vinduer lukkes for at opnå maksimal effektivitet for affugteren.

Affugterens kapacitet afhænger af temperaturen og luftfugtigheden i rummet. Ved lavere temperaturer fjernes mindre fugt.

FUNKTIONER

Kraftig affugtende kapacitet

Ved brug af køleteknologi fjerner affugteren fugt fra luften for at reducere fugtigheden i lokalet og holde indendørsluften tør og behagelig.

Letvægtet bærbar design

Affugteren er bygget til at være kompakt og letvægtet. Hjulene på enhedens bund gør det let at bevæge den mellem lokaler.

Drift i lave temperaturer med automatisk afrimning

Når enheden kører i en værelsestemperatur mellem 7 °C og 12 °C, vil den standse for at afrime hver 30. minut.

Når enheden kører i en værelsestemperatur mellem 12 °C og 20 °C, vil den standse for at afrime hver 45. minut.

Justerbart hygrostat

Du kan indstille den ønskede fugtighed på hygrostaten.

Timer tænd/sluk

Programmér enheden til automatisk at tænde og slukke.

Stille drift

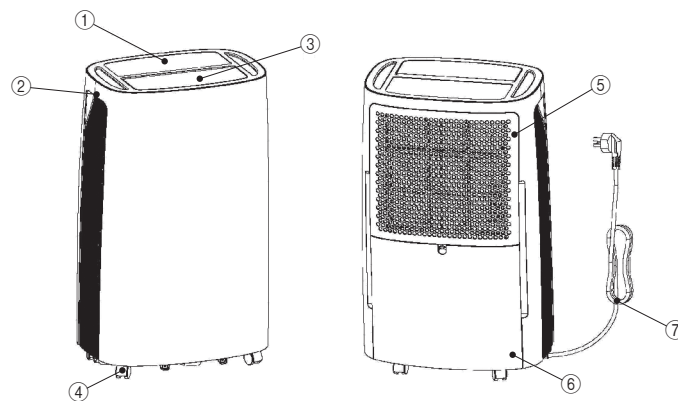
Affugteren kører med et lavt støjniveau.

Energieffektiv

Enhedens strømforbrug er lavt.

1. BESKRIVELSE

DELE



1. Kontrolpanel
4. Hjul
7. Stromkabel

2. Håndtere
5. Filtreringskasse

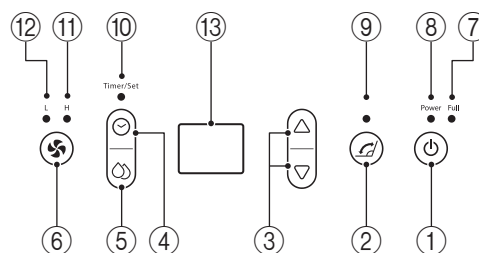
3. Vindeflektor
6. Vandbeholder

VALGFRI



1. Afløbsslange

BETJENINGSPANEL



1. Strømknop
2. Knappen Sving
3. Justeringsknop
4. Timer-knap
5. Indstillingsknop
6. Knap til blæserhastighed
7. Indikatorlys om fyldt vandbeholder
8. Strømlys
9. Svinglampe
10. Timer indstillings-lys
11. Høj blæser-lys
12. Lav blæser-lys
13. Indikatorpanel

2. BETJENING

Fugtighedsniveau og timer 2-cifret display





Indikatoren har 3 funktioner:

1. Når affugteren er tændt, vil det indikere rummet fugtniveau.
2. Når du har indstillet fugtigheden, vil den angive den fugtighed, som du har valgt.
3. Når du indstiller en tid, hvor enheden skal tændes og slukkes, vil den vise timerne.
4. Når omgivelsernes fugtighed ligger under 35 %, vil den vise "35".
5. Når omgivelsernes fugtighed ligger over 95 %, vil den vise "95".


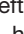
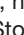
3. BETJENINGSMANUAL

Strømlyset vil tænde, når enheden er sluttet til, uanset om enheden kører eller ej.


1. Slå/fra

Tryk på  for at starte enheden, når enheden er stoppet. eller tryk på  for at lukke den, når enheden er i drift.


2. Indstilling for fugtighed

Tryk på  tasten for at gå ind i fugtighedsindstillingstilstand, tryk derefter på  eller  for at justere luftfugtigheden fra 40 % til 80 %, hver indstilling er 5 %, led-blinkende display, når du justerer. Stop med at trykke i 5 sekunder, vil det vende tilbage til normal visning. Standardværdien for fugtighed er 40%.


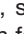
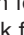

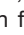

3. Indstilling af blæserhastighed

Tryk for  at indstille blæserhastigheden til høj eller lav, og det tilsvarende blæserhastighedslys tændes.

4. Svingindstilling

Når maskinen er startet, skal du trykke på  for at starte eller stoppe luftudgangsbladets sving.

5. Tidsindstilling

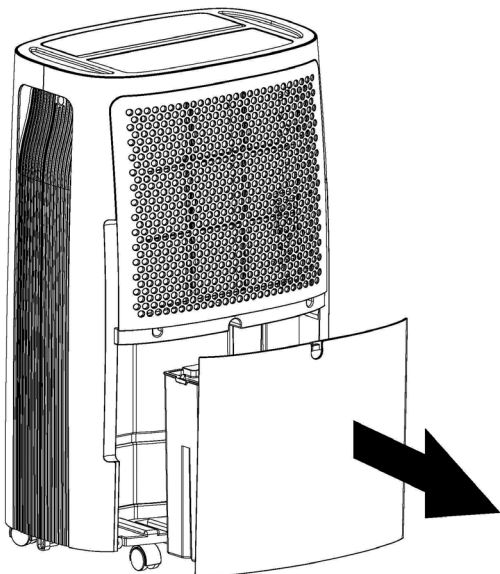
Tryk for  at indtaste starttidindstillingstilstand, når enheden er stoppet, så vil LED'en vise tiden, du kan trykke på  eller  knappen for at justere den automatiske opstartstid fra 1 til 24 timer. Tryk for  at indtaste lukketidindstillingstilstand, når enheden kører, så vil LED'en vise tiden, du kan trykke på  eller  knappen for at justere den automatiske nedlukningstid fra 1 til 24 timer. Den programmerede tid forbliver uændret, hvis maskinen holder op med at virke på grund af vand, der er fuldt eller under optøning. Når enheden er tændt eller slukket af brugeren, kan den miste tidsfunktionen.

4. UDTØMNING AF DET INDSAMLEDE VAND

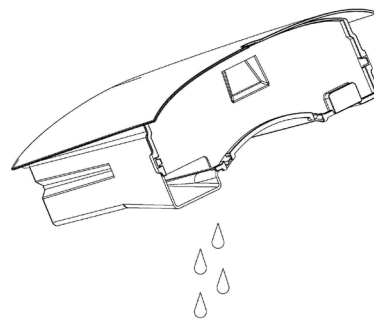
Når udløbsbeholderen er fyldt, vil indikatorlyset for fuld beholder tændes, apparatet vil holde op med at køre og summeren vil bippe 15 gange for at meddele brugeren, at vandet skal tømmes fra udløbsbeholderen.

5. TØMNING AF UDLØBSBEHOLDEREN

1. Tryk let på beholderens sider med begge hænder, og træk forsigtigt beholderen ud.

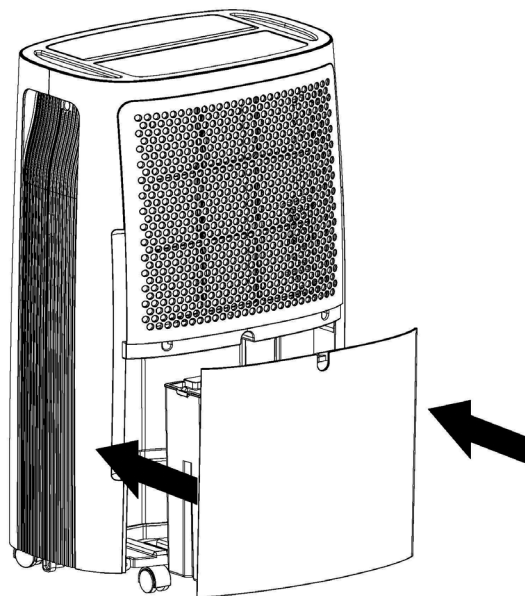


2. Smid det indsamlede vand væk.



BEMÆRK

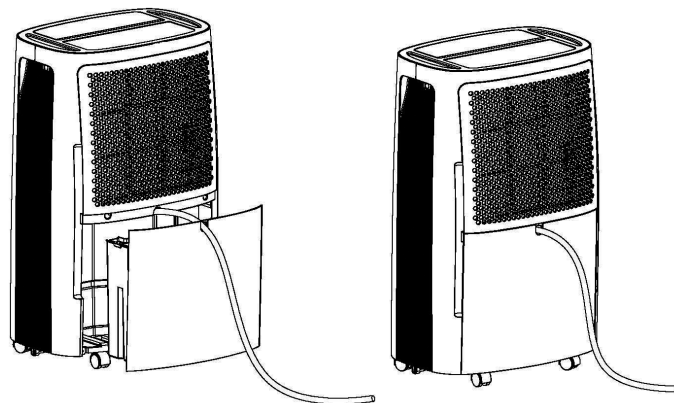
1. Hvis udløbsbeholderen er beskidt, bør den vaskes med koldt eller lunkent vand. Anvend ikke rengøringsmiddel; grydesvampe; støveklude, der er blevet kemisk behandlet; benzol; fortyndingsmiddel eller andre opløsningsmidler, da disse kan ridse og beskadige beholderen og forårsage udsivning af vand.
2. Når udløbsbeholderen sættes tilbage, skal beholderen trykkes solidt på plads med begge hænder. Hvis beholderen ikke er i den rigtige position, vil "TANK FULL"-sensoren aktiveres, og aflugteren vil ikke kunne køre.

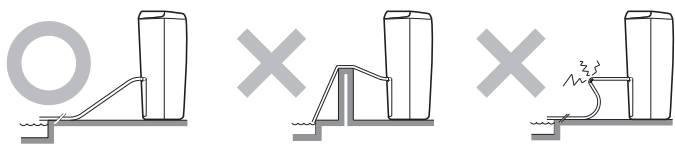


6. LØBENDE VANDUDLØB

Enheden har en port til løbende vandudløb. Indsæt et plastikrør (med en indre diameter på 10 mm) i afløbshullet (på mellempladen), før den ud af vandbeholderens side, fastmonter den og placer afløbsrøret.

Vandet i afløbsbeholderen kan løbende drænes fra enhedens udløbsport.





7. VEDLIGEHOLDELSE

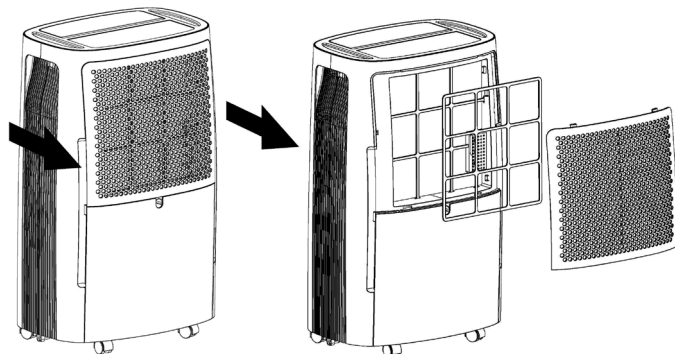
Rengøring af affugteren

For at rengøre legemet

Tør den af med en blød, fugtig klud.

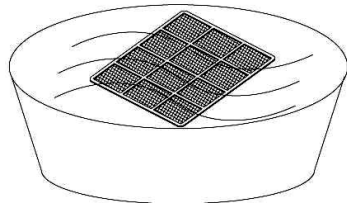
For at rengøre luftfilteret

1. Åbn indsugningsristen først og tag luftfilteret ud.



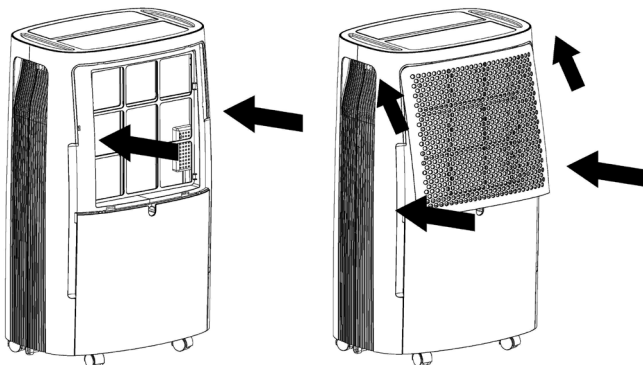
2. Rengør luftfilteret

Kør en støvsuger let over luftfilterets overflade for at fjerne snavs. Hvis luftfilteret er særligt beskidt, kan den rengøres med varmt vand og et mildt rengøringsmiddel og derefter tørres helt.



3. Genmonter luftfilteret

Placer filteret forsigtigt i risten og sæt indsugningsristen tilbage på sin plads.



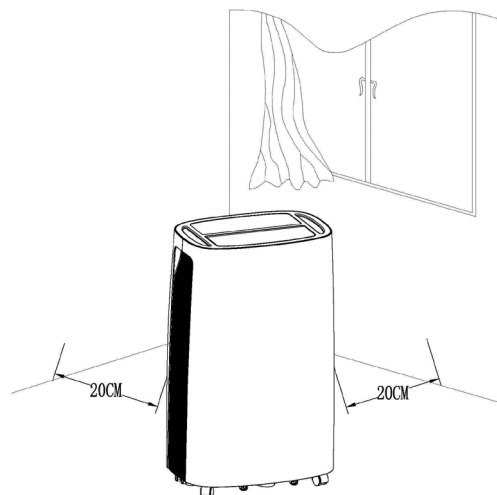
Opbevaring af affugteren

Når enheden ikke anvendes i længere perioder, og du ønsker at opbevare den, bør du følge disse trin:

1. Tøm udløbsbeholderen for eventuelt resterende vand.
2. Rul strømkablet sammen og læg den i vandtanken.
3. Rengør luftfilteret.
4. Opbevar den i et tørt og køligt sted.

Afstand

Oprethold minimumsafstande omkring affugteren, når enheden kører, som vist i tegningen til venstre.



8. FEJLFINDING

Hvis et problem opstår, der står angivet nedenunder, bedes du kontrollere følgende punkter, før du kontakter kundeservice.

Problem	Mulig årsag	Løsning
Enheden vil ikke køre	Er strømkablet blevet frakoblet?	Slut strømkablet til stikkontakten.
	Blinker indikatorlyset for fuld beholder? (Beholderen er fuld eller i forkert position.)	Tøm vandet ud af udløbsbeholderen og sæt den tilbage i position.
	Er temperaturen i lokalet over 35 °C eller under 7 °C?	Beskyttelsesenheden er aktiveret og enheden kan ikke startes.
Affugtningfunktionen virker ikke	Er luftfilteret tilstoppet?	Rengør luftfilteret som vist under "Rengøring af affugteren".
	Er indsugnings- eller udløbskanalen blokeret?	Fjern blokeringen fra indsugnings- eller udløbskanalen.
Der blæses ikke luft ud	Er luftfilteret tilstoppet?	Rengør luftfilteret som vist under "Rengøring af affugteren".
Det larmer, når den kører	Står enheden skævt eller usikkert?	Flyt enheden til en stabil, solid stilling.
	Er luftfilteret tilstoppet?	Rengør luftfilteret som vist under "Rengøring af affugteren".

9. BEMÆRKNING TIL VEDLIGEHOLDELSesarbejde

1. Kontrol af området

Før arbejde startes på systemer, der indeholder brændbare kølemidler, skal der udføres sikkerhedskontrol for at sikre at antændelsesfaren minimeres. For at reparere kølesystemet bør følgende sikkerhedsforanstaltninger træffes, før arbejdet på systemet påbegyndes.

Arbejdsprocedure

Arbejdet bør udføres med en kontrolleret procedure, for at minimere risikoen for at brændbar gas eller dampe er til stede, når arbejdet udføres.

2. Det generelle arbejdsområde

Alle vedligeholdelsesmedarbejdere og andre, der arbejder i nærheden, skal informeres om den type arbejde, der udføres. Undgå at arbejde under begrænsede pladsforhold. Området omkring arbejdsområdet bør afspærres. Sørg for at områdets tilstand er blevet gjort sikker via kontrol af brændbart materiale.

3. Kontrollér efter tilstedeværelsen af kølemiddel

Området skal kontrolleres med en egnet kølemiddeldetektor før og imens arbejdet udføres for at sikre at teknikeren er opmærksom på eventuelle brandfarlige atmosfærer. Sørg for at det udstyr til lækagedetektering, der anvendes, er egnet til brug med et brandbart kølemiddel, dvs. ikke-gnistdannede, behørigt forseglet eller egensikre.

4. Tilstedeværelsen af en brandslukker

Hvis køleudstyret eller nogen af dets dele skal varmebehandles, skal passende brandslukningsudstyr være ved hånden. Hav en tørpulver- eller CO₂-brandslukker ved siden af påfyldningsområdet.

5. Ingen antændelseskilder

Ingen person, der udfører arbejde i forbindelse med et kølesystem, der involverer blotlæggelse af rør, der indeholder eller har indeholdt brandbar kølemiddel, må anvende nogen form antændelseskilde på en sådan måde, at det kan forårsage en brand- eller eksplosionsrisiko. Alle mulige antændelseskilder, inklusive rygning af cigaretter, bør holdes en passende afstand væk fra det sted, hvor enheden monteres, repareres, fjernes eller bortskaffes, hvis der er en chance for at det brandbare kølemiddel kan slippe ud i det omkringliggende område. Før arbejdet påbegyndes, bør området omkring udstyret kontrolleres for at sikre, at der ikke er nogen brandfarlige genstande eller antændelsesrisici. "Rygning forbudt" skilte skal være sat op.

6. Ventilret område

Sørg for at området er åbent, eller at det er behørigt ventileret, før der brydes ind i systemet eller varmebehandling udføres. Der skal fortsat ventileres til en vis grad i den periode, hvor arbejdet udføres. Ventilationen bør på sikker vis kunne udsprede kølemiddel, der eventuelt slipper ud, og helst støde det ud i atmosfæren.

7. Kontrol af køleudstyret

Når elektriske komponenter udskiftes, skal de være velegnet til formålet og være af den rigtige specifikation. Producentens vedligeholdelses- og servicerefningslinjer bør altid følges. Hvis der er tvivl, bør producentens tekniske afdeling kontaktes for at få hjælp.

Følgende kontroller bør udføres på anlæg, der anvender brandbare kølemidler:

- påfyldningsstørrelsen i henhold til størrelsen på lokalet, hvori de dele monteres, der indeholder kølemiddel;
- ventilationsmaskineriet og -udløb virker tilstrækkeligt og er ikke blokeret.

8. Kontrol af elektriske enheder

Reparation og vedligeholdelse af elektriske komponenter bør inkludere indledende sikkerhedskontroller og procedurer til inspektion af komponenterne. Hvis der eksisterer en fejl, der kunne være til fare for sikkerheden, bør der ikke forbindes nogen elforsyning, før denne er blevet udbedret på passende vis. Hvis fejlen ikke kan udbedres med det samme, men det er nødvendigt at fortsætte driften, bør der anvendes en passende midlertidig løsning. Dette bør meddeles til udstyrets ejer, så alle parter er blevet underrettet.

Indledende sikkerhedskontroller skal inkludere:

- at kondensatorer er blevet afladte: dette bør gøres på sikker vis for at undgå gnistdannelse;
- at der ikke blotlægges nogen strømførende el-komponenter eller ledninger, når systemet fyldes, genvindes eller udrenses;
- at der konstant er jordbinding.

9. Reparation af forseglede komponenter

Ved reparation af forseglede komponenter, bør al elforsyning frakobles udstyret, der arbejdes på, før eventuelle forseglede dæksler osv. fjernes.

Hvis det er absolut nødvendigt at have en elforsyning koblet til udstyret under servicering, bør der monteres en form for løbende lækagedetektering på det mest kritiske punkt for at advare om eventuelle farlige situationer.

Særlig opmærksomhed bør gives til følgende for at sikre at beklædningen, under arbejdet på de elektriske komponenter, ikke ændres på en sådan måde, at det påvirker beskyttelsesniveauet. Dette inkluderer beskadigelse af kabler; for mange forbindelser; terminaler, der ikke er lavet til den oprindelige specifikation; beskadigelse af tætninger; forkert montering af pakbøsninger; osv.

Sørg for at apparatet er sikkert monteret.

Sørg for at tætninger eller tætningsmaterialer ikke er nedbrudt på en sådan måde, at de ikke længere forhindrer brandfarlige atmosfærer i at trænge ind eller ud. Reserverede bør stemme overens med producentens specifikationer.

BEMÆRK: Anvendelsen af silikonetætningsmiddel kan hindre effektiviteten af nogen slags udstyr til lækagedetektering. Enheder der er egensikre, behøves ikke isoleres, før der arbejdes på dem.

10. Reparationer på egensikre komponenter

Anvend ikke nogen induktions- eller kapacitetsbelastninger på kredsløbet uden at sikre, at dette ikke vil overstige den tilladte spænding og strømstyrke for det udstyr, der anvendes.

Egensikre komponenter er de eneste typer, der kan arbejdes med, når de er strømførende, ved tilstedeværelsen af en brandfarlig atmosfære. Testapparatet skal være af den rette tekniske specifikation.

Komponenter må alene udskiftes med dele, der specificeres af producenten. Andre dele kan forårsage antændelse af kølemidlet i atmosfæren fra lækager.

11. Kabelføring

Kontrollér at kabler ikke udsættes for slid, ætsning, for stor tryk, vibration, skarpe kanter eller andre negative miljøpåvirkninger. Kontrollen bør også tage i betragtning effekter fra aldring eller løbende vibrationer fra kilder såsom kompressorer eller blæsere.

12. Lækagedetektion af brandbare kølemidler

Under ingen omstændigheder må potentielle antændelseskilder anvendes til at lede efter eller spore kølemiddellækager. En halogenlygte (eller enhver anden detektor, der anvender åben ild) må ikke anvendes.

13. Metoder til lækagedetektering

Følgende metoder til lækagedetektering er egnet til systemer, der indeholder brandbare kølemidler.

Elektroniske lækagedetektorer skal anvendes til at detektere brandbare kølemidler, men deres følsomhed er muligvis ikke tilstrækkelig, eller skal muligvis genkalibreres (detekteringsudstyr skal kalibreres i områder uden kølemiddel). Sørg for at detektoren ikke er en mulig antændelseskilde og er egnet til det anvendte kølemiddel.

Væsker til lækagedetektering er egnet til brug med de fleste kølemidler, men undgå anvendelsen af rengøringsmidler med klor, da klor kan reagere med kølemidlet og ætse kobberløse.

Hvis der er mistanke om, at der er lækage, bør al åben ild fjernes/slukkes.

Hvis der opdages en kølemiddellækage, der kræver lodning, bør al kølemidlet genvindes fra systemet. Ifrit kvælstof (Oxygen Free Nitrogen - OFN) bør derefter skylles igennem systemet før og efter lodningsprocessen.

14. Fjernelse og udtømning

Når man bryder ind i kølemiddelløbet for at udføre reparationer - eller til ethvert andet formål - bør konventionelle procedurer følges. Dog er det vigtigt at bedste praksis følges, da der skal tages hensyn til brandbarheden. Følgende procedure skal følges:

Fjern kølemidlet;

Skyl kredsløbet med inert gas;

udtøm;

Skyl igen kredsløbet med inert gas;

Åbn kredsløbet ved at skære eller lodde.

Kølemiddelfyldningen skal genvindes ind i de rette genvindingscylindre. Systemet skal "skylles" med OFN for at gøre enheden sikker. Det kan være nødvendigt at gentage denne proces flere gange. Trykluft eller ilt må ikke bruges til denne opgave.

Skylning bør foregå ved at bryde systemets vakuum med OFN og fortsætte med at påfylde OFN, indtil arbejdsstrykkes nås, derefter bør det udluftes til atmosfærisk tryk, hvorefter den tages ned til vakuum. Denne proces bør gentages, indtil der ikke længere er kølemiddel i systemet. Når den sidste ladning af OFN bruges, bør systemet udluftes til atmosfærisk tryk for at lade arbejdet finde sted.

Denne operation er absolut nødvendig, hvis loddearbejde skal udføres på rørene. Sørg for at vakuumpumpens udstødning ikke er tæt på nogen antændelseskilder, og at der er tilstrækkelig ventilation.

15. Procedurer til påfyldning af kølemiddel

Ud over de konventionelle påfyldningsprocedurer skal følgende krav overholdes.

- Sørg for, at der ikke sker kontaminering mellem forskellige kølemidler, når påfyldningsudstyret anvendes. Slangere eller rør skal være så korte som muligt for at minimere mængden af kølemiddel, de kan indeholde.
- Cylindere skal opbevares oprejst.
- Sørg for at kølesystemet er jordbundet før kølemidlet fyldes i systemet.
- Markér systemet, når påfyldningen er færdig (hvis den ikke allerede er).
- Vær meget forsigtig ikke at overfylde kølesystemet. Før der fyldes på systemet, skal det tryktestes med OFN. Systemet skal testes for lækage efter påfyldningen er sket, men før den tages i brug. En opfølgende lækagetest bør udføres, før man forlader stedet.

16. Dekommissionering

Før denne procedure udføres, er det afgørende at teknikeren er helt fortrolig med udstyret og alle detaljer derom. Det er anbefalet god praksis at alle kølemidler genvindes sikkert. Før opgaven udføres, skal en olie- og kølemiddelprøve tages, i tilfælde af at en analyse nødvendiggøres, før det genvundne kølemiddel genbruges. Det er afgørende, at der er tilgængelig strømforsyning, før opgaven påbegyndes.

Bliv fortrolig med udstyret og dens drift.

- a) Isolér systemet elektrisk.
- b) Før proceduren forsøges, sørg for at: udstyr til mekanisk håndtering er tilgængelig, om nødvendig, for at flytte kølemiddelcylindre; alt personligt sikkerhedsudstyr er tilgængelig og anvendes korrekt; genvindingsprocessen tilses til alle tider af en kompetent person; genvindingsudstyr og -cylindre lever op til de passende standarder.
- c) Nedpump systemet, om muligt.
- d) Hvis en vakuum ikke er mulig, skab en manifold, så kølemidlet kan fjernes fra forskellige dele af systemet.
- e) Sørg for at cylinderen står på vægten, før genvinding finder sted.
- f) Start genvindingsmaskinen og anvend den i overensstemmelse med producentens instruktioner.
- g) Overfyld ikke cylindrene (ikke mere end 80 % af rumladningsvolumen).
- h) Overskrid ikke cylinderens maksimale arbejdsstryk, ikke engang midlertidigt.
- i) Når cylindrene er blevet fyldt korrekt, og processen er færdig, bør det sikres at cylindrene og udstyret fjernes fra stedet prompte og at alle udstyrets isolationsventiler er lukkede.
- j) Genvundet kølemiddel må ikke fyldes på en anden kølesystem, før det er blevet rensat og kontrolleret.

17. Mærkning

Udstyr skal have mærker, der angiver at det er blevet taget ud af drift og at kølemidlet er blevet fjernet. Mærket skal dateres og underskrives. Sørg for, at der er mærker på udstyret, der angiver at det indeholder et brandbart kølemiddel.

18. Genvinding

Når kølemiddel fjernes fra et system, enten til servicering eller

dekommissionering, er det anbefalet god praksis at alle kølemidler genvindes sikkert.

Når kølemiddel overføres til cylindre, skal det sikres, at der kun anvendes egnede cylindre til kølemiddelsgenvinding. Sørg for, at det rette antal cylindre til opbevaring af systemets samlede påfyldningsmængde er tilgængelig. Alle cylindre, der anvendes, skal være beregnet til det genvundne kølemiddel og markeret til det kølemiddel (dvs. særlige cylindre til genvinding af kølemidlet). Cylindre skal være udstyret med tilhørende trykafstningsventiler og forbundne af afspærringsventiler, der alle er i god driftsmæssig stand. Tomme genvindingscylindre er udtømte og, om muligt, nedkølet før genvindingen udføres.

Genvindingsudstyret skal være i god driftsmæssig stand med et sæt instruktioner til det pågældende udstyr og skal være egnet til genvinding af brandbare kølemidler.

Derudover skal et sæt kalibrerede vægte være tilgængelige i god driftsmæssig stand. Slangere skal være udstyret med tilhørende lækagefri frakoblingsforbindelser og være i god stand.

Før genvindingsmaskinen anvendes, bør det kontrolleres at den er i tilpas driftstilstand, at den er blevet behørigt vedligeholdt og at eventuelle tilhørende elektriske komponenter er forsegledede for at forhindre antændelse i tilfælde af udslip af kølemiddel. Rådfør med producenten, hvis der er tvivl derom.

Det genvundne kølemiddel bør sendes tilbage til kølemiddelsleverandøren i den rette genvindingscylinder, og den relevante formular om affaldsoverførsel skal være ordnet. Bland ikke kølemidler i genvindingsenheder og særligt ikke i cylindre.

Hvis kompressorer eller kompressorolier skal fjernes, skal det sikres, at de er blevet udtømt til et passende niveau for at sikre at brandbart kølemiddel ikke bliver tilbage i smøremidlet. Udtømningsprocessen skal udføres før kompressoren sendes tilbage til leverandøren. Der må kun anvendes elektrisk varme på kompressorens legeme for at fremskynde denne proces. Når olien er drænet ud af systemet, skal den bæres ud på sikker vis.

19. Transport af udstyr indeholdende brandbare kølemidler

Bestemmes af lokale forordninger.

20. Beholdninger af brandbare kølemidler til bortskaffede apparater

Se nationale forordninger.

21. Opbevaringsemballage (sælges ikke) til udstyr

Beskyttende opbevaringspakning bør konstrueres, så mekanisk beskadigelse af udstyret i indpakningen ikke forårsager udslip af det påfyldte kølemiddel.

Det maksimale styk. udstyr, der kan opbevares i samme sted, afgøres af lokale forordninger.

10. SPECIFIKATIONER

Model	TD-C 1416	TD-C 1420
Kapacitet	16 L/D (30°C, 80 % FG)	20 L/D (30°C, 80 % FG)
Strømforsyning	220-240 V ~ / 50 Hz	220-240 V ~ / 50 Hz
Strømforbrug	260 W	325 W
Driftstemperaturer	7°C - 35°C	7°C - 35°C
Kølemiddel	R290 (75 g)	R290 (90 g)
GWP	3	3
Vægt	12 kg	14 kg
Tryk (højt/lavt)	1,8 / 0,6 Mpa	1,8 / 0,6 Mpa
Tryk (maks.)	3,00 Mpa	3,00 Mpa
Enhedsbeskyttelse	IPX0	IPX0

Affugtningskapaciteten er beregnet ved en værelsestemperatur på **30 °C med en fugtighedsgrad på 80 %**.

Hvis specifikationerne forbedres efter denne angivelse, vil produktets mærkeplade afspejle de nye specifikationer. Driftstemperaturen ligger på intervallet 7 °C til 35 °C og en maksimal fugtighedsgrad på 80 %. Hvis værelsestemperaturen ligger uden for dette interval, vil enheden ikke køre normalt. GWP-værdien for R290-kølemiddel er 3.

BEGRÆNSET GARANTI

TOYOTOMI CO., LTD. ("TOYOTOMI") giver garanti på, at hvert produkt og eventuelle dele dertil, som de sælger, er uden defekt i materialer eller fremstilling under normal anvendelse og servicering i FIRE OG TYVE (24) MÅNEDER fra leveringsdatoen til den oprindelige detailkøber, underlagt følgende vilkår og betingelser:

HVAD DER DÆKKES: Produkter eller eventuelle dele deraf, der er defekt i deres materiale eller fremstilling.

HVAD DER IKKE DÆKKES:

Garantien dækker ikke nogen defekt, der er grundet andres forsømmelighed; montering, drift eller vedligeholdelse af enheden på en anden måde end angivet i vejledningen (brugs- og vedligeholdelsesvejledningen leveres sammen med hver nye enhed); urimelig anvendelse, uheld, ændringer, anvendelsen af uautoriserede eller ikke-standard TOYOTOMI-dele og -tilbehør; elektriske fejl, som f.eks. opstår fra store spændingsbølger, kortslutninger, osv.; forkert montering eller ved reparation ved en anden servicefacilitet end en, som TOYOTOMI angiver.

HVEM DER DÆKKES: Den oprindelige detailkøber.

HVAD VIL VI GØRE: TOYOTOMI vil gratis enten reparere eller udskifte, efter eget valg, alle defekte dele, der dækkes af denne begrænsede garanti ved aflevering af en berettiget enhed til din nærmeste godkendte TOYOTOMI-sælger eller -forhandler.

HVAD SKAL DU GØRE FOR AT MODTAGE GARANTITJENESTEN: Du skal tilbagelevere det defekte produkt eller den defekte del til enhver godkendt TOYOTOMI-sælger eller -forhandler sammen med denne BEGRÆNSEDE GARANTI. Hvis tjenesten ikke er tilgængelig lokalt, bedes du kontakte vores KUNDEKONTAKT-AFDELING på:

TOYOTOMI EUROPE SALES B.V.

E-MAIL: info@toyotomi.eu

INTERNET: www.toyotomi.eu

OVENSTÅENDE ANGIVER ALLE TOYOTOMIS FORPLIGTELSER OG ANSVAR, HVAD ANGÅR KVALITETEN AF DET PRODUKT, DE HAR LEVERET. ALLE ANDRE GARANTIER FRAKENDES, OM UDTRYKKELIGE ELLER UNDERFORSTÅEDE, INKLUSIVE GARANTIER OM SALGBARHED ELLER BRUGSEGNETHED FOR ET SÆRLIGT FORMÅL. TOYOTOMI ER IKKE ANSVARLIG FOR AFSAVNET AF PRODUKTET, ULEJLIGHEDEN, TAB ELLER ENHVER ANDEN SKADE, DER OPSTÅR DIREKTE ELLER SOM KONSEKVENNS AF ANVENDELSEN ELLER DEN MANGLENDE ANVENDELSE AF PRODUKTET ELLER SKADER, DER OPSTÅR ELLER KAN TILSKRIVES DEFEKTER I PRODUKTET.

Ingen andre end TOYOTOMI har bemyndigelse til at forlænge eller ændre vilkårene i denne begrænsede garanti på nogen som helst måde.

Nogle stater tillader ikke udelukkelsen eller begrænsning af tilfældige eller resulterende skader eller begrænsning af, hvor længe en underforstået garanti varer, så det er muligt at disse begrænsninger eller udelukkelse ikke gælder for dig. Denne begrænsede garanti tildeler dig specifikke juridiske rettigheder, og du kan også have andre rettigheder, der varierer mellem stater.

FÖRKLARING AV SYMBOLER



Enheten är fylld med R290 som är en brandfarlig gas.



Läs bruksanvisningen innan enheten används för första gången.



Läs bruksanvisningen innan installation av enheten.



Läs bruksanvisningen innan reparation av enheten.

MEDDELANDE

- Läs den här manualen noggrant innan du använder enheten och spara den för framtida bruk.
- Installera endast enheten om den är i överensstämmelse med lokala föreskrifter, lagar och standarder.
- Denna produkt är avsedd att användas som en luftavfuktare i bostadshus, och är endast lämplig för användning på torra platser, under normalt hushållsbruk, inomhus i vardagsrummet, i köket och garaget.
- Placera INTE luftavfuktaren i badrum eller på andra platser där den kan utsättas för vattenstänk.
- Koppla alltid in enheten i uttag av enfas med 220-240 V/~50 Hz.
- Underlåtenhet att följa anvisningarna kan leda till upphävande av garantin för den här enheten.
- Följ strikt tillverkarens instruktioner gällande användning och reparation!



Caution, risk of fire, R290



SÄKERHETSFÖRESKRIFTER

Vid användning av enheten följ dessa säkerhetsföreskrifter:

1. Dra alltid ur nätkabeln före rengöring eller förvaring.
2. Enheten kan användas inomhus men ej i tvättstugor.
3. Ställ ALDRIG enheten nära värmekällor, brandfarligt material eller annat farligt material.
4. Placera INTE fingrar eller föremål i luftintaget eller luftutblåset.
5. Sitt eller stå INTE på enheten.
6. Häll ut det uppsamlade vattnet i tanken efter behov.
7. Använd INTE luftavfuktaren i trånga utrymmen såsom i en garderob då det kan leda till brand.
8. Använd INTE enheten nära livsmedel, konstföremål eller vetenskapligt material.
9. Installera dräneringsslangen i en lutande vinkel nedåt så det kondenserade vattnet kontinuerligt kan rinna ut.
10. Om nätkabeln är skadad måste den bytas ut av tillverkaren eller annan kvalificerad person för att undvika fara.
11. Enheten bör placeras så att stickkontakten är åtkomlig.
12. Håll ett avstånd på 20 cm runt enheten, till väggen eller till andra föremål för att säkerställa luftcirkulation.
13. Enheten ska installeras i enlighet med nationella elsäkerhetslagar.
14. Enheten ska inte användas i kollektivtrafiken.
15. Enheten kan användas av barn från 8 år och uppåt samt personer med nedsatt fysisk, sensorisk eller mental förmåga, eller med brist på erfarenhet och kunskap, om de fått tillsyn eller anvisningar om en säker användning och förstår de faror som är involverade. Barn får inte leka med enheten. Rengöring och underhåll ska inte utföras av barn utan tillsyn.

- 16. Barn ska hållas under uppsikt så att de inte leker med luftavfuktaren.
- 17. Enheter som är uppenbart skadade ska inte användas.

VARNING

Särskild information gällande enheter med köldmedium R 290 i gasform:

- Enheten är fylld med R290 som är en brandfarlig gas.
- R290 är ett köldmedium i gasform som uppfyller de europeiska miljödirektiven. Det är ett naturligt köldmedium (propan) som är giftfritt och fritt från ozonnedbrytande egenskaper med mycket låg global uppvärmningspotential (GWP = 3).
- Punktera INTE någon del av köldmediekretsen.
- Försök INTE påskynda avfrostningsprocessen och rengör endast på de sätt som rekommenderas av tillverkaren.
- Enheten ska förvaras i ett rum utan antändningskällor (t.ex. öppen låga eller påslagen gasdriven apparat och elektriskt uppvärmningssystem).
- Gör INTE hål i enheten eller brännskadan.
- Observera att köldmedierna kan vara luktfria.
- Enheten ska installeras, användas och förvaras i utrymmen med en golvyta på över 4 m².
- Om enheten installeras, används eller förvaras i ett rum utan ventilation måste rummet vara utformat så att läckande köldmedium inte kan ansamlas, detta eftersom risk för brand eller explosion förekommer då köldmediet kan antändas av elektriska värmesystem, spisar eller andra antändningskällor.

- Enheten ska överensstämma med nationella gasbestämmelser.
- Service ska endast utföras enligt tillverkarens rekommendationer.
- Enheten ska förvaras så att mekanisk skada undviks.
- Den person som arbetar med, eller öppnar, en köldmediekrets bör ha ett giltigt certifikat från branschens övervakningsmyndighet, där personens kompetens tillåter hen att hantera köldmedier på ett säkert sätt i enlighet med praxis för branschen.
- Service ska endast utföras enligt tillverkaren för enhetens rekommendationer. Underhåll och reparationer som kräver utbildad personal ska endast ske under övervakning av någon med kompetens av brandfarliga köldmedier.
- Om enheten behöver repareras kontakta ditt auktoriserade servicecenter och följ strikt tillverkarens instruktioner.

BORTSKAFFANDE

Det är förbjudet att slänga enheten i hushållssoporna. Det finns flera alternativ för att kassera enheten.

- 1 Släng INTE denna produkt i kommunens osorterade avfall. Denna produkt måste sorteras för särskild behandling.
- 2 Kommunen har ett sophanteringssystem där elektroniskt avfall kan kasseras utan kostnad för ägaren.
- 3 Tillverkaren kan ta emot gamla enheter för kassering utan kostnad för ägaren.
- 4 Eftersom gamla produkter innehåller värdefulla resurser, kan de säljas till återförsäljare av skrot.

Kassering i skog och natur äventyrar din hälsa då farliga ämnen läcker ut i grundvattnet och återfinns i livsmedelskedjan. Betydelse av överkryssad soptunna. Släng INTE elektroniskt avfall i hushållssoporna

utan besök en återvinningsstation. Kontakta din kommun för information om återvinningsstationer i din närhet. Om elektroniskt avfall slängs i avfallsdeponier eller sopstationer kan farliga ämnen läcka ut i grundvattnet och sedan återfinnas i livsmedelskedjan. Detta kan äventyra din hälsa och välmående.



Denna märkning indikerar att inom EU får denna produkt inte slängas som hushusavfall. För att förhindra eventuella miljöskador eller hälsorisker från en avfalls-

hantering utom kontroll, återvinn enheten på ett ansvarsfullt sätt för att främja en hållbar återanvändning av materialresurser. Sortera produkten på en återvinningsstation eller kontakta återförsäljaren som sålde dig enheten. De kan ta produkten till en återvinningsstation.

R290: 3

GENERAL

För optimal prestation av din luftavfuktare, se till att alla fönster är stängda för att uppnå maximal effektivitet.

Luftavfuktarens kapacitet beror på temperaturen och fuktigheten i rummet, vid lägre temperaturer kommer mindre fukt att avlägsnas.

EGENSKAPER

Kraftfull avfuktning förmåga

Med hjälp av kylteknik avlägsnar luftavfuktaren kraftfullt fukt från luften och minskar rummets fuktighetsnivå och håller därmed inomhusluften torr och bekväm.

Lätt och bärbar utformning

Luftavfuktaren har utformats att vara kompakt och lättviktig. Hjulen på undersidan av enheten gör den lätt att flytta.

Låg drifttemperatur med automatisk avfrostning

När enheten körs i rumstemperatur på mellan 7°C och 12°C kommer den stanna varje halvtimme för avfrostning.

När enheten körs i rumstemperatur på mellan 12°C och 20°C kommer den stanna varje 45 minuter för avfrostning.

Justerbar hygrostat

Ställ in önskad luftfuktighet med hygrostaten.

Timer för start/stopp

Programmera enheten att slå på och av automatiskt.

Tyst drift

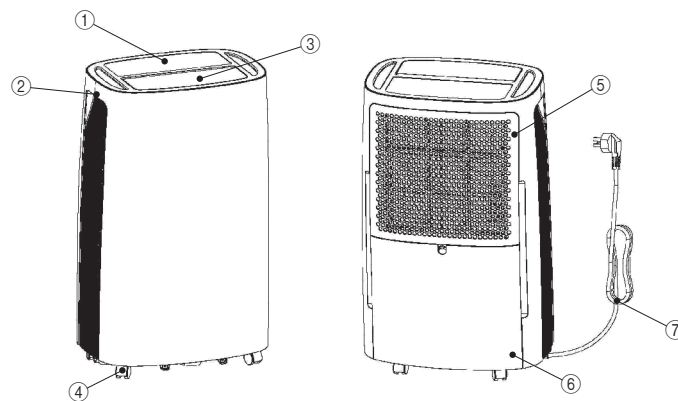
Luftavfuktaren arbetar med låg ljudnivå.

Energieffektiv

Energiförbrukningen hos enheten är låg.

1. BESKRIVNING

DELAR



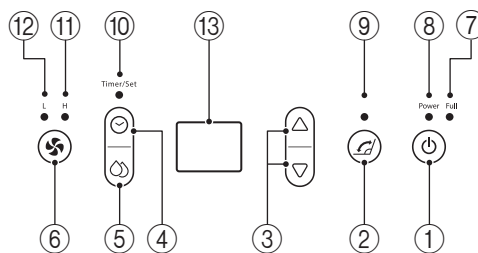
- | | | |
|------------------|---------------|-----------------|
| 1. Kontrollpanel | 2. Handtag | 3. Vindavvisare |
| 4. Hjul | 5. Filterlada | 6. Vattentank |
| 7. Natkabel | | |

VALFRIA TILLBEHÖR



1. Dräneringsslang

KONTROLLPANEL



- | | |
|--------------------------------------|--------------------------------------|
| 1. Strömknapp | 2. Svängknapp |
| 3. Knapp för justeringar | 4. Knapp för timer |
| 5. Knapp för inställningar | 6. Knapp för fläkthastighet |
| 7. Vattentanksindikator | 8. Strömindikator |
| 9. Svänglampa | 10. Timer-/inställningsindikator |
| 11. Indikator för hög fläkthastighet | 12. Indikator för låg fläkthastighet |
| 13. Kontrollpanel | |

2. DRIFT

Luftfuktighetsnivå och timer med tvåsiffrig display





Indikatorn har tre funktioner:

- När avfuktaren är på, kommer det att indikera fuktighetsnivån i rummet.
- När du ställer in önskad luftfuktighetsnivå kommer den visa ditt val.
- När du programmerar enheten för automatisk tid för start och avstängning kommer den visa tiden.
- När rummets luftfuktighetsnivå är under 35 % kommer den visa "35".
- När rummets luftfuktighetsnivå är över 95 % kommer den visa "95".


3. ANVÄNDARINSTRUKTIONER

Strömindikatorn lyser när enheten är inkopplad oavsett om den körs eller inte.


1. Slå på/av

Tryck  för att starta enheten när enheten har stannat; eller tryck  för att stänga av den när enheten är i drift.


2. Inställning av luftfuktigheten

Tryck på  för att ange läget för luftfuktighet. Tryck sedan Δ eller ∇ för att justera luftfuktigheten från 40% till 80%. Varje inställning ökar i steg med 5%. Lysdioden blinkar den justeras. Sluta trycka efter 5 sekunder, och den återgår till normal visning. Enhetens förvalda värdet för luftfuktigheten är 40%.


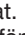
3. Inställning av fläkthastigheten

Tryck på  för att ställa in fläkthastigheten till hög eller låg, och den motsvarande lampan för fläkthastigheten tänds.

4. Inställning av svängning

Efter att apparaten har startats, tryck på  för att starta eller stoppa luftutloppet från bladen ska börja svänga.

5. Tidsinställning

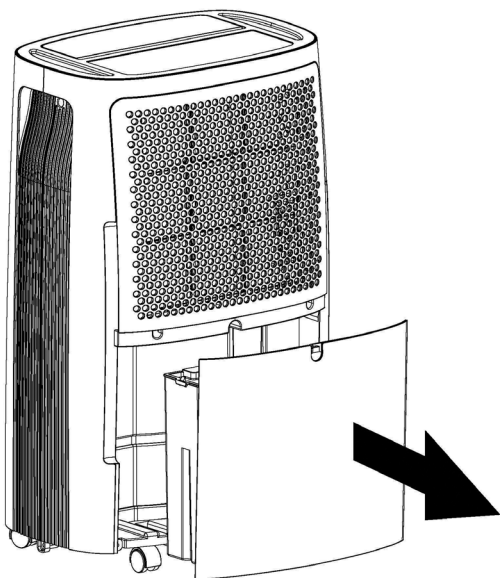
Tryck på  för att ange inställning för starttid när enheten har stannat. Lysdioden visar då tiden. Du kan trycka knappen Δ eller ∇ för att justera den automatisk starttiden från 1 till 24 timmar. Tryck på  för att ange inställning för avstängningstiden när enheten har körs. Lysdioden visar då tiden. Du kan trycka knappen Δ eller ∇ för att justera den automatisk avstängningstiden från 1 till 24 timmar. Den programmerade tiden förblir oförändrad om apparaten stannar på grund av fullt vatten eller under avfrostningscykeln. När den har slagits på/av av användaren, kan enheten tappa tidsfunktionen.

4. DRÄNERING AV UPPSAMLAT VATTEN

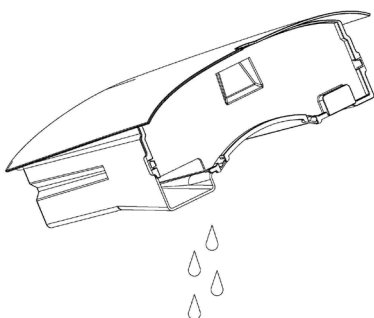
När vattentanken är full kommer indikatorn för full tank att börja lysa, samtidigt som enheten automatiskt stannar och ett alarm ljuder 15 gånger för att uppmärksamma användaren på att vattentanken måste tömmas.

5. TÖMNING AV VATTENTANK

1. Använd båda händerna och tryck lätta på sidorna av tanken och dra den försiktigt utåt.

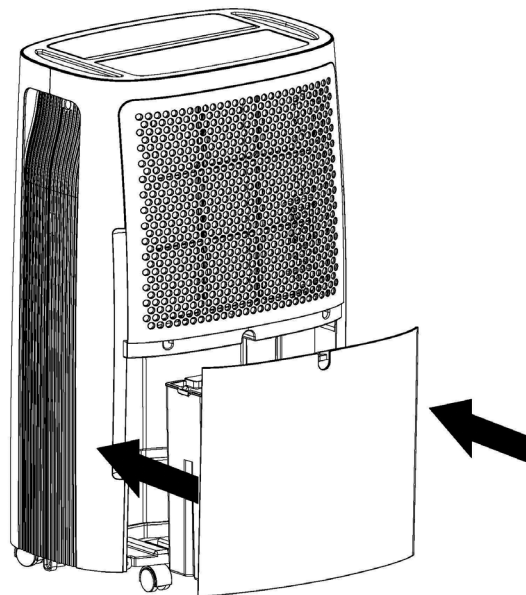


2. Häll ut det uppsamlade vattnet.



OBSERVERA

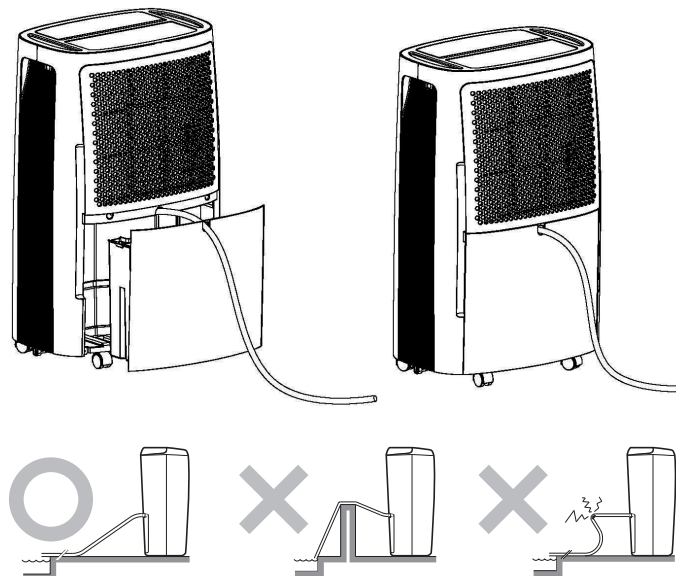
- Om vattentanken är smutsig rengör den med kallt eller ljummet vatten. Använd inte diskmedel, disksvampar, kemiskt behandlade dammtrasor, bensen, bensin, thinner eller andra lösningsmedel eftersom dessa kan repa eller skada tanken och orsaka vattenläckage.
- Då vattentanken ska sättas tillbaka använd båda händerna och tryck tillbaka den på plats. Om tanken inte monteras på rätt sätt kommer indikatorn för full tank tändas och enheten inte starta.



6. KONTINUERLIG DRÄNERING AV VATTEN

Denna enhet har en port för kontinuerlig dränering av vatten. Stick in ett plaströr (med en inre diameter på 10 mm) i dräneringshålet (på mellandelen), använd händerna via sidan av vattentanken och justera det till rätt plats.

Vattnet i tanken kan nu kontinuerligt rinna ut genom dräneringsporten på enheten.



7. UNDERHÅLL

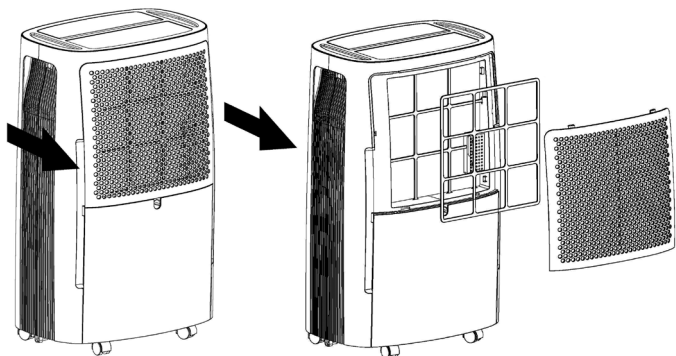
Rengöring av avfuktare

Rengöring av enhetens huvuddel

Torka av med en mjuk fuktad trasa.

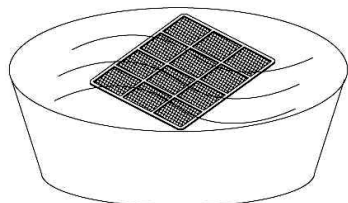
Rengöring av luftfilter

1. Öppna luftintagets galler och ta ur luftfiltret.



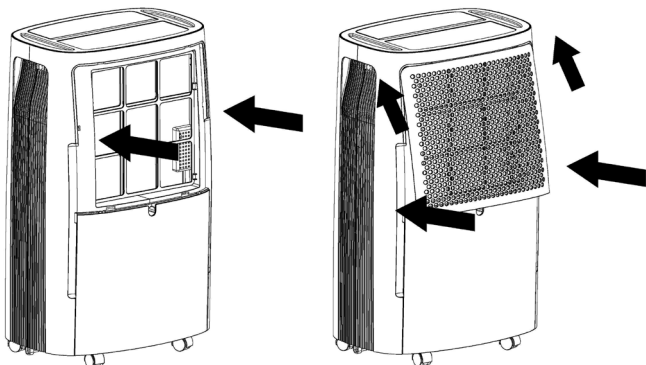
2. Rengör luftfiltret

Damsug lätt över ytan på luftfiltret för att ta bort smuts. Om luftfiltret är väldigt smutsigt kan det tvättas med varmt vatten och ett mildt rengöringsmedel, och sedan torkas ordentlig.



3. Sätt tillbaka luftfiltret

Sätt tillbaka luftfiltret på dess plats och stäng galleret.



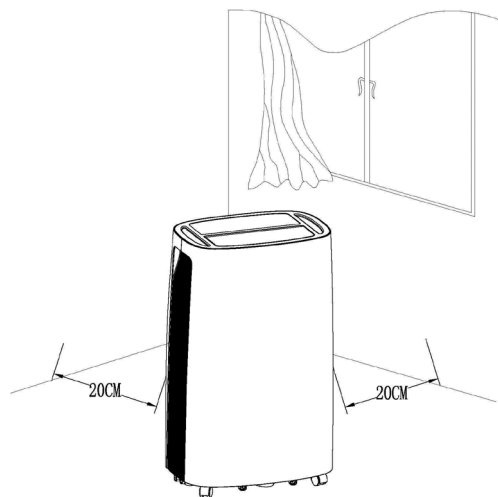
Förvaring av luftavfuktaren

När enheten inte ska användas under en längre period och du vill ställa undan den ska detta utföras:

1. Töm vattentanken på allt vatten.
2. Rulla ihop strömkabeln och lägg in den i vattentanken.
3. Rengör luftfiltret.
4. Ställ undan på en sval och torr plats.

Avstånd

Håll avstånd enligt rekommendationerna när maskinen är i gång enligt bilden till vänster.



8. FELSÖKNING

Om ett tillstånd som listas nedan inträffar, kontrollera följande åtgärder innan du ringer kundtjänst.

Problem	Möjlig orsak	Åtgärd
Maskinen arbetar inte	Har nätkabeln kopplats ur?	Koppla in nätkabeln i vägguttaget.
	Blinkar lampan för full vattentank? (Vattentanken är full eller felplacerad.)	Töm vattentanken på vatten och sätt tillbaka den på plats.
	Ligger rumstemperaturen över 35°C eller under 7°C?	Enhetens skyddsåtgärder har aktiverats och enheten kan inte starta.
Luftavfuktningen fungerar inte	Är luftfiltret igensatt?	Rengör luftfiltret enligt instruktionerna givna i "rengöring av luftavfuktare".
	Är luftintaget eller luftutblåset blockerade?	Ta bort hindret från luftutblåset eller luftintaget.
Ingen luft släpps ut	Är luftfiltret igensatt?	Rengör luftfiltret enligt instruktionerna givna i "rengöring av luftavfuktare".
Enheten låter mycket	Står enheten lutad eller ostadigt?	Flytta enheten till en stadig plats.
	Är luftfiltret igensatt?	Rengör luftfiltret enligt instruktionerna givna i "rengöring av luftavfuktare".

9. UNDERHÅLLSANMÄRKNINGAR

1. Kontrollera området

Innan arbete med system som innehåller brandfarliga köldmedier påbörjas är en säkerhetskontroll nödvändig för att säkerställa att risken för antändning minimeras. Vid reparation av kylsystemet ska följande försiktighetsåtgärder vidtas innan arbete på systemet påbörjas.

Arbetsstätt

Arbetet ska utföras på ett kontrollerat sätt för att minimera risken att en brandfarlig gas eller ånga läcker ut i arbetsmiljön.

2. Allmänt arbetsområde

Alla som arbetar med underhåll av maskinen eller i området omkring ska meddelas vilket sorts jobb som utförs. Arbete i trånga utrymmen ska undvikas. Området runt arbetsytan ska vara avgränsat. Se till att områdets förhållande är säkert genom en kontroll av brandfarligt material.

3. Kontrollera förekomst av köldmedium

Området ska kontrolleras med en korrekt detektor för köldmedium före och under arbetets gång, för att säkerställa att tekniker är medveten om potentiellt explosiva atmosfärer. Se till att utrustningen som används för att upptäcka läckage är lämplig för användning tillsammans med brandfarligt köldmedium, d.v.s. att inga gnistor uppstår från den, att den är försluten och egensäker.

4. Tillgänglig brandsläckare

Om något hett arbete ska utföras på kylutrustningen, eller på några delar därav, ska lämplig brandsläckningsutrustning finnas till hands. Ställ en pulversläckare eller kolsyresläckare i direkt närhet till köldmediet.

5. Inga antändningskällor

Ingen som utför arbete på ett köldmediesystem där exponering av rörledning som innehåller, eller har innehållit, brandfarligt köldmedium ingår, får använda några antändningskällor på ett sådant sätt att det kan leda till risk för brand eller explosion. Alla möjliga antändningskällor, inklusive de av rökning, bör hållas på tillräckligt avstånd från installation, reparation, borttagning och bortskaftande, under vilka brandfarligt köldmedium eventuellt kan läka ut till omgivningen. Innan arbetet påbörjas ska området kring utrustningen undersökas för att se till att det inte finns några brandfarliga risker eller antändningsrisker. Skyltar om förbjuden rökning ska sättas upp.

6. Ventilerat område

Se till att området är öppet eller ordentligt ventilerat innan öppnande av systemet eller utförande av hett arbete. Under arbetets gång ska en viss nivå av ventilation uppnås. Ventilationen ska fungera på så vis att köldmedium som läcker ut inte ansamlas, och då helst går direkt ut i utomhusluften.

7. Kontroll av kylutrustningen

När elektriska komponenter ska bytas ut ska de vara anpassade för ändamålet och ha rätt specifikationer. Tillverkarens riktlinjer för underhåll och service ska alltid följas. Om du är osäker kontakta tillverkarens tekniska avdelning för hjälp.

Följande kontroller ska utföras vid installation av brandfarliga köldmedier:

- storleken på rummet där installation av delar med köldmedier sker ska vara anpassad till fyllningsvolymen;
- ventilationsmaskiner och uttag ska fungera på tillfredsställande sätt och inte blockeras.

8. Kontroll av elektriska enheter

Vid reparation och underhåll av elektriska komponenter ska en inledande säkerhetskontroll utföras samt en inspektion av komponenter. Om det finns fel som utgör en säkerhetsrisk ska ingen strömförsörjning anslutas till kretsen förrän felet är hanterat på tillfredsställande sätt. Om felet inte kan åtgärdas omedelbart, men det är nödvändigt att fortsätta arbetet, ska en tillräcklig och tillfällig lösning hittas. Detta ska rapporteras till utrustningens ägare så att alla parter kan underrättas. En inledande säkerhetskontroll ska omfatta:

- att condensatorn är urladdad – detta ska göras på ett säkert sätt för att undvika risk för gnistor;
- att inga strömförande komponenter och ledningar exponeras under fyllning, återställning eller rensning av systemet;
- att jordförbindningen inte kan avbrytas.

9. Reparationer av förseglade komponenter

Vid reparationer av förseglade komponenter ska alla elektriska tillbehör kopplas ur från den aktuella utrustningen innan förseglade kåpor och liknande tas bort.

Om det är absolut nödvändigt att utrustningen är nätkopplad

under servicetillfället ska en korrekt fungerande läckagedetektor placeras vid den mest kritiska punkten för att varna om en eventuellt farlig situation.

Särskild uppmärksamhet ska riktas åt att säkerställa att vid arbetet med de elektriska komponenterna höljet inte manipuleras på sådant sätt att skyddsnivån påverkas. Detta gäller även skador på kablar, överdrivet antal anslutningar, terminaler som inte är tillverkade enligt originalspecifikation, skador på tätningar, felaktig montering av packningsringar etc.

Se till att enheten är ordentligt monterad.

Se till att tätningarna eller tätningmaterialet inte har försämrats så att de inte längre klarar av att förhindra passering av brandfarliga gaser. Ersättningsdelar ska överensstämma tillverkarens specifikationer.

OBSERVERA: Användning av silikontätning kan hämma effektiviteten hos vissa typer av läckagedetektorer. Egensäkra komponenter behöver inte isoleras innan arbete med dem.

10. Reparation av egensäkra komponenter

Använd inga permanent induktiva eller kapacitiva laster på kretsen utan att ha säkerställt att detta inte överstiger den tillåtna spänningen och strömstyrkan för den utrustning som används.

Egensäkra komponenter är de enda som går att arbetas på när de är strömförande i en explosiv atmosfär. Testapparaten måste vara korrekt klassad.

Byt bara ut komponenter med delar som specificerats av tillverkaren. Andra delar kan orsaka läckage och leda till att köldmedium antänds.

11. Kablage

Kontrollera att kablarna inte utsätts för slitage, korrosion, överdrivet tryck, vibrationer, vassa kanter eller annan negativ påverkan. Kontrollera även effekterna av åldrande eller kontinuerlig vibration från källor som kompressorer eller fläktar.

12. Upptäck läckage av brandfarliga köldmedium

Under inga omständigheter får potentiella antändningskällor användas för att söka efter, eller vid upptäckt av, läckage av brandfarligt köldmedium. Ingen detektor med öppen låga får användas.

13. Läcksokningsmetoder

Följande metoder för detektion av läckage är godkända för system som innehåller brandfarliga köldmedier.

Elektroniska läcksökare ska användas för att upptäcka brandfarliga köldmedier, dock kan känsligheten inte vara tillräcklig bra eller så kan de behöva kalibreras om (detektionsutrustningen ska kalibreras i ett utrymme fritt från köldmedium). Säkerhetsställ att detektorn inte är en potentiell antändningskälla och att den är lämplig för köldmediet som används.

De flesta vätskor för läcksökning är lämpliga att använda med de flesta köldmedier, men undvik användning av rengöringsmedel som innehåller klor eftersom det kan reagera med köldmediet och korrodera kopparrören.

Om en läcka misstänks ska alla öppna lågor avlägsnas/släckas.

Om ett läckage av köldmedium upptäcks som kräver hårdlödning ska allt köldmedium tömmas från systemet. Syrefritt kväve (OFN) ska sedan blåsas genom systemet både före och under hårdlödningsarbetet.

14. Tömning och avluftning

När en köldmediekrets behöver öppnas för utförande av reparationer, eller p.g.a. andra orsaker, ska konventionella metoder användas. Det är dock viktigt att följa vedertagen praxis på grund av brandfaran. Följande procedur ska följas:

Avlägsna köldmediet;

Rengör kretsen med inert gas;

Evakuera;

Rengör igen med inert gas;

Öppna kretsen genom att skära eller hårdlöda.

Köldmediet ska återvinnas i passande uppsamlingsbehållare. Systemet ska spolas med OFN för att göra enheten säker. Denna process kan behöva upprepas flera gånger. Komprimerad luft eller syre får inte användas till detta.

Spolning görs genom att bryta vakuomet i systemet med OFN och genom att fortsätta att fylla på tills arbetstryck uppnås. Sedan avluftas det till atmosfärstryck och slutligen återskapas ett vakuum. Denna process ska upprepas tills inget köldmedium finns kvar i systemet. När den slutliga OFN-mängden använts ska systemet avluftas ner till atmosfärstryck så att arbetet kan utföras.

Denna åtgärd är helt avgörande för att ska gå att hårdlöda på rörledningarna. Säkerhetsställ att utblåset för vakuumpumpen inte är placerad nära någon antändningskälla och att god ventilation råder.

15. Procedur för påfyllning av köldmedium

Utöver konventionella påfyllningsprocedurer ska följande krav uppfyllas.

- Säkerhetsställ att det inte förekommer någon kontaminering av olika köldmedier när påfyllningsutrustning används. Slangar eller ledningar ska vara så korta som möjligt för att minimera mängden köldmedium i dem.
- Behållarna ska stå upprätta.
- Säkerhetsställ att kylsystemet är jordat innan köldmedium fylls på i systemet.
- Märk systemet när påfyllningen är klar (om det inte gjorts innan).
- Vidta extrem försiktighet för att inte överfylla kylsystemet. Innan påfyllning ska systemet trycktestas med OFN. Systemet ska testas för läckage efter avslutad påfyllning innan det tas i drift. Ett uppföljningstest ska utföras innan platsen lämnas.

16. Urdrifftagning

Innan detta görs är det mycket viktigt att teknikern är fullständigt bekant med utrustningen in i minsta detalj. Enligt vedertagen praxis ska alla köldmedier återvinnas på ett säkert sätt. Innan detta görs ska ett prov tas på olja och köldmedium om analys skulle vara nödvändig innan det återvunna köldmediet kan användas igen. Det är mycket viktigt att elström finns tillgänglig innan åtgärden påbörjas.

Bli bekant med utrustningen och dess funktioner.

- a) Isolera systemet från elektricitet.
- b) Innan proceduren utförs säkerhetsställ att: utrustning för mekanisk hantering finns tillgänglig för hantering av behållaren för köldmediet om enheten reparerats; personlig skyddsutrustning finns att tillgå och används korrekt; återvinningsprocessen hela tiden övervakas av en behörig person samt att återvinningsutrustning och behållare uppfyller tillämpliga standarder.
- c) Om möjligt, pumpa ner köldmediesystemet.
- d) Om det inte går att åstadkomma vakuüm, använd ett förgreningsrör så att köldmediet kan avlägsnas från olika delar av systemet.
- e) Se till att behållaren står på en våg innan återvinningen påbörjas.
- f) Starta återvinningsmaskinen och arbeta i enlighet med tillverkarens anvisningar.
- g) Överfyll inte behållarna (högst 80 % volym flytande fyllning).
- h) Överskrid inte, om ens tillfälligt, det maximala arbetstrycket i behållaren.
- i) När behållarna har fyllts korrekt och processen är klar se till att behållarna och utrustningen avlägsnas från platsen omedelbart, och att alla skalventiler på utrustningen stängs.
- j) Återvunnet köldmedium ska inte fyllas i ett annat kylsystem utan att det först har renats och kontrollerats.

17. Märkning

Utrustning ska märkas för att visa om den har tagits ur bruk och tömts på köldmedium. Dekalen ska vara daterad och undertecknad. Se till att det finns dekaler på utrustningen som anger om utrustningen innehåller brandfarliga köldmedier.

18. Återvinning

När köldmediet avlägsnas från ett system, antingen för service eller urdrifftagning, ska allt köldmedium enligt praxis avlägsnas på ett säkert sätt.

Vid överföring av köldmedium till behållare säkerhetsställ att endast lämpliga återvinningsbehållare för köldmedium används. Kontrollera att rätt antal behållare finns att tillgå för att ta hand om all fyllning i systemet. Alla behållare som ska användas ska vara avsedda för köldmediet som ska återvinnas samt märkta för detta köldmedium (d.v.s. specialbehållare för återvinning av köldmedium). Behållarna ska vara försedda med övertrycksventil och tillhörande avstängningsventiler i fullt funktionsdugligt skick. Tomma återvinningsbehållare ska avluftas och om möjligt kylas ner innan återvinning sker.

Återvinningsutrustningen ska vara i gott skick med anvisningar för den utrustning som finns till hands, samt vara lämplig för återvinning av brandfarliga köldmedier.

Dessutom ska en uppsättning kalibrerade vågar vara tillgängliga och i fullt funktionsdugligt skick. Slangar ska vara kompletta med täta kopplingar och i gott skick.

Innan du använder återvinningsmaskinen kontrollera att den är i tillfredsställande funktionsdugligt skick, har underhållits korrekt och att alla tillhörande elektriska komponenter är förseglade för att förhindra antändning i händelse av läckage av köldmedium. Om du är osäker kontakta tillverkaren.

Det återvunna köldmediet ska återlämnas till dess leverantören i rätt återvinningsbehållare och med relevant överföringsdokument bifogat. Blanda inte köldmedier i återvinningsenheter och särskilt inte i behållarna.

Om kompressorer eller dess oljor ska avlägsnas, säkerhetsställ att de har tappats till en godtagbar nivå för att se till att det inte finns några brandfarliga köldmedier kvar i smörjmedlet. Avluftning ska utföras innan kompressorn lämnas tillbaka till leverantören. Endast elvärme får användas på kompressorernas huvuddel för att påskynda denna process. När olja tappas från ett system ska det ske på ett säkert sätt.

19. Transport av utrustning som innehåller brandfarligt kylmedium

Detta regleras av lokala lagar och regler.

20. Bortskaffad utrustning med brandfarligt kylmedium

Se nationella lagar och regler.

21. Förvaringsförpackning för (osåld) utrustning

Förvaringsskyddet ska vara utformad så att ingen mekanisk skada på utrustningens insida kan orsaka läckage av köldmedium.

Det maximala antalet utrustningar som får lagras tillsammans regleras av lokala lagar och regler.

10. SPECIFIKATIONER

Modell	TD-C 1416	TD-C 1420
Kapacitet	16 L/D (30°C, 80 % RH)	20 L/D (30°C, 80 % RH)
Strömförsörjning	220-240 V~/50 Hz	220-240 V~/50 Hz
Energiförbrukning	260 W	325 W
Driftområde	7°C - 35°C	7°C - 35°C
Köldmedium	R290 (75g)	R290 (90g)
GWP	3	3
Vikt	12 kg	14 kg
Tryck (högt/lågt)	1.8/0.6 MPA	1.8/0.6 MPA
Tryck (max)	3.00 MPA	3.00 MPA
Enhetsskydd	IPX0	IPX0

Avfuktningsskapaciteten värde baseras på en rumstemperatur på **30°C och relativ luftfuktighet på 80 %**.

Om kapaciteten förbättrats efter denna mätning kommer det gå att utläsa på produktens namnplatta.

Användartemperaturer ligger mellan en rumstemperatur på mellan 7°C och 35°C med en maximal relativ luftfuktighet på 80 %. Om rumstemperaturen faller utanför dessa värden kommer inte enheten att arbeta optimalt. GWP-faktorn för köldmedium R 290 är 3.

BEGRÄNSAD GARANTI

TOYOTOMI CO., LTD. TOYOTOMI CO., LTD. ("TOYOTOMI") lämnar garanti för varje såld produkt, och delar därav, mot defekter i material eller utförande under normalt bruk, och för service under TJUGOFYRA (24) MÅNADER från leveransdatumet till den ursprungliga slutkunden, under dessa följande villkor:

VAD SOM INKLUDERAS: Produkter eller delar därav som är defekta i material eller utförande.

VAD SOM INTE INKLUDERAS:

Denna garanti omfattar inte något fel som uppstår på grund av andras försummelse; underlåtenhet att följa anvisningar för installation, drift eller underhåll (bruksanvisningar och underhållsinstruktioner bifogas med varje ny enhet); orimligt bruk, olyckor, manipulering, användning av icke godkända eller ej standardiserade TOYOTOMI-delar och tillbehör; elektriska fel till följd av stora kraftöverspänningar, kortslutningar etc.; felaktig installation eller reparation som utförs av någon annan av TOYOTOMI utsedda serviceverkstäder.

VEM SOM INKLUDERAS: Den ursprungliga slutkunden.

VAD VI KOMMER GÖRA: TOYOTOMI kommer utan kostnad enligt den åtgärd vi anser gällande, antingen reparera eller ersätta alla defekta delar som täcks av denna begränsade garanti till din närmaste auktoriserade återförsäljare eller distributör av TOYOTOMI.

FÖR ATT ANVÄNDA GARANTIN: Du måste returnera den defekta produkten eller delen till en auktoriserad återförsäljare eller distributör av TOYOTOMI tillsammans med denna BEGRÄNSADE GARANTI. Om denna service inte finns tillgänglig i din närhet kontakta vår kundservice på:

TOYOTOMI EUROPE SALES B.V.





E-post: info@toyotomi.eu
INTERNET: www.toyotomi.eu

FÖLJANDE UTTRYCKER ALLA TOYOTOMI:S SKYLDIGHETER OCH ANSVAR AVSEENDE KVALITÉ PÅ DE PRODUKTER SOM VI TILLVERKAR. ALLA ANDRA GARANTIER, UTTRYCKLIGA ELLER ANTYDDA, INKLUSIVE GARANTIER FÖR FÖRSÄLJNING ELLER LÄMPLIGHET FÖR ETT VISST SYFTE FRISKRIVS. TOYOTOMI HÅLLS INTE ANSVARIG FÖR MINSKAT BEHOV AV PRODUKTEN, OLÄGENHET, FÖRLUST ELLER ANNAN SKADA, PÅ GRUND AV ELLER TILL FÖLJD AV ANVÄNDNING ELLER OFÖRMÅGA ATT ANVÄNDA PRODUKTEN, ELLER FÖR SKADOR SOM UPPSTÅR PÅ GRUND AV ELLER TILL FÖLJD AV EN DEFEKT I PRODUKTEN.

Ingen annan än TOYOTOMI har befogenhet att utöka eller ändra villkoren i denna begränsade garanti på något sätt.

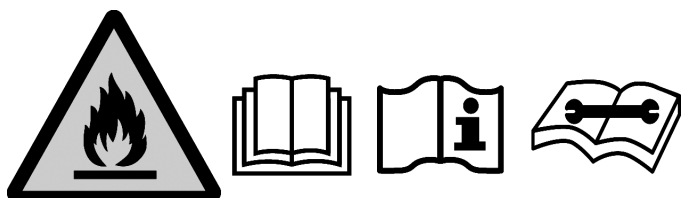
Vissa länder tillåter inte undantag eller begränsning av tillfälliga skador eller följdskador, eller begränsningar av hur länge en garanti gäller, så dessa begränsningar och undantag kanske inte gäller dig. Denna begränsade garanti ger dig specifika juridiska rättigheter, och du kan även ha andra rättigheter som varierar från land till land.

OBJAŚNIENIE SYMBOLI

-  Urządzenie jest wypełnione łatwopalnym gazem R290.
-  Przed użyciem urządzenia należy zapoznać się z instrukcją obsługi.
-  Przed instalacją urządzenia należy zapoznać się z instrukcją instalacji.
-  Przed naprawą urządzenia należy zapoznać się z instrukcją obsługi technicznej.

UWAGA

- Przed rozpoczęciem korzystania z urządzenia należy przeczytać uważnie niniejszą instrukcję obsługi i zachować ją na przyszłość.
- Urządzenie można zainstalować tylko wtedy, gdy jest ono zgodne z lokalnymi/krajowymi przepisami, rozporządzeniami i normami.
- Osuszacz jest przeznaczony do stosowania w domach mieszkalnych i nadaje się do użytku tylko w suchych miejscach, w normalnych warunkach domowych, w pokojach dziennych, kuchniach i garażach.
- NIE należy umieszczać osuszacza w łazienkach lub w innych miejscach, w których istnieje prawdopodobieństwo, że może zostać zachlapany wodą.
- Urządzenie należy zawsze podłączać do jednofazowego gniazda elektrycznego 220 - 240 V / ~ 50 Hz.
- Nieprzestrzeganie instrukcji obsługi może prowadzić do unieważnienia gwarancji na urządzenie.
- Należy ściśle przestrzegać instrukcji producenta dotyczących użytkowania i napraw!



Caution, risk of fire, R290

OSTRZEŻENIA DOTYCZĄCE BEZPIECZEŃSTWA

Podczas korzystania z urządzenia należy stosować następujące środki bezpieczeństwa:

1. Odłączać przewód zasilający przed czyszczeniem lub przechowywaniem urządzenia.
2. Urządzenie można używać w pomieszczeniach z wyjątkiem pralni.
3. NIE ustawiać urządzenia w pobliżu urządzeń wytwarzających ciepło lub w pobliżu łatwopalnych i niebezpiecznych materiałów.
4. Nigdy NIE wkładać palców ani przedmiotów do kanałów wlotowych lub wylotowych.
5. NIE siadać ani nie stawać na urządzeniu.
6. W razie potrzeby wylewać wodę zebraną w zbiorniku.
7. NIE używać osuszacza w zamkniętym pomieszczeniu, takim jak szafa, ponieważ może to spowodować pożar.
8. NIE używać urządzenia w pobliżu artykułów żywnościowych, przedmiotów sztuki lub materiałów naukowych.
9. Rury spustowe poprowadzić ze spadkiem, żeby zapewnić ciągłe odprowadzanie skroplin.
10. Jeśli przewód zasilający jest uszkodzony, musi wymienić go producent lub osoba o podobnych kwalifikacjach, żeby uniknąć zagrożenia.
11. Urządzenie należy ustawić w taki sposób, żeby wtyczka była dostępna.
12. Wokół urządzenia należy zachować 20-centymetrowy odstęp od ścian lub innych przedmiotów, żeby zapewnić cyrkulację powietrza.
13. Urządzenie należy instalować zgodnie z krajowymi przepisami elektrycznymi.
14. Urządzenia nie można używać w środkach transportu publicznego.

15. Z urządzenia mogą korzystać dzieci w wieku 8 lat i starsze oraz osoby o ograniczonych możliwościach fizycznych, czuciowych i umysłowych lub osoby bez doświadczenia i wiedzy pod warunkiem, że korzystają z urządzenia pod nadzorem lub zostały poinstruowane, jak bezpiecznie korzystać z urządzenia i zdają sobie sprawę z istniejących zagrożeń. Dzieciom nie wolno jest bawić się urządzeniem. Dzieciom nie wolno jest czyścić i konserwować urządzenia bez nadzoru.
16. Dzieciom nie wolno pozwalać bawić się urządzeniem.
17. Nie wolno jest korzystać z urządzeń, które są wyraźnie uszkodzone.

OSTRZEŻENIE

Szczegółowe informacje dotyczące urządzeń z gazem chłodniczym R 290:

- Urządzenie jest wypełnione łatwopalnym gazem R290.
- R290 jest gazem chłodniczym zgodnym z europejskimi dyrektywami środowiskowymi. Jest to naturalny czynnik chłodniczy (propan), nietoksyczny i nieniszczący warstwy ozonowej ze względu na jego bardzo mały współczynnik globalnego ocieplenia (GWP = 3).
- NIE przekłuwać żadnej części obwodu chłodniczego.
- NIE należy używać środków przyspieszających proces odszraniania lub środków do czyszczenia innych niż zalecane przez producenta.
- Urządzenie należy przechowywać w pomieszczeniu bez stale działających źródeł zapłonu (na przykład: otwartego ognia, działającego urządzenia gazowego lub działającego grzejnika elektrycznego).
- NIE przekłuwać ani nie spalać.
- Należy pamiętać, że czynniki chłodnicze mogą nie wydzielać zapachu.
- Urządzenie powinno być zainstalowane, obsługiwane i przechowywane w pomiesz-

czeniu o powierzchni większej niż 4 m².

- Jeśli urządzenie ma być zainstalowane, eksploatowane lub przechowywane w pomieszczeniu bez wentylacji, musi ono być tak zaprojektowane, żeby zapobiegało gromadzeniu się wycieków czynnika chłodniczego, stwarzających ryzyko pożaru lub wybuchu w wyniku zapłonu czynnika chłodniczego przez nagrzewnice elektryczne, piece lub inne źródła zapłonu.
- Urządzenie musi być zgodne z krajowymi przepisami dotyczącymi gazu.
- Obsługa techniczna musi być wykonywana zgodnie z zaleceniami producenta.
- Urządzenie należy przechowywać w sposób uniemożliwiający mechaniczne uszkodzenie.
- Każda osoba pracująca przy obwodzie chłodniczym lub otwierająca go powinna posiadać ważne zaświadczenie wydane przez akredytowany w branży organ oceniający, potwierdzające kwalifikacje w zakresie bezpiecznego obchodzenia się z czynnikami chłodniczymi zgodnie z uznaną w branży specyfikacją oceny.
- Czynności obsługowe muszą być wykonywane zgodnie z zaleceniami producenta urządzenia. Konserwacje i naprawy wymagające pomocy innego wykwalifikowanego personelu powinny być przeprowadzane pod nadzorem osoby kompetentnej w stosowaniu łatwopalnych czynników chłodniczych.
- W razie konieczności przeprowadzenia naprawy, należy skontaktować się z najbliższym autoryzowanym centrum serwisowym i ściśle przestrzegać instrukcji producenta.

OSTRZEŻENIE DOTYCZĄCE POZBYWANIA SIĘ URZĄDZENIA

Zabrania się wyrzucania urządzenia razem z odpadami domowymi. Do dyspozycji jest kilka możliwości.

- 1 NIE wolno jest wyrzucać zużytego urządzenia razem z niesortowanymi odpadami komunalnymi. Konieczna jest osobna

zbiórka takich odpadów przeznaczonych do specjalnego przetwarzania.

- 2 Gminy wprowadziły programy zbiórki odpadów, w ramach których odpady elektroniczne mogą być usuwane bezpłatnie dla użytkownika.
- 3 Producent odbiera stare urządzenie do utylizacji nie obciążając kosztami użytkownika.
- 4 Ponieważ stare produkty zawierają cenne zasoby, można je sprzedać w punktach skupu złomu.

Wyrzucanie odpadów na dzikie wysypiska śmieci w lasach i na polach zagraża zdrowiu, gdyż niebezpieczne substancje przedostają się do wód gruntowych i trafiają do łańcucha pokarmowego.

Znaczenie symbol przekreślonego kosza na śmieci: NIE wyrzucać urządzeń elektrycznych razem z niesegregowanymi odpadami komunalnymi. Urządzenia elektryczne należy oddawać do oddzielnych punktów zbiórki odpadów. Informacje dotyczące dostępnych programów zbiórki odpadów można uzyskać od organów samorządowych. Po wyrzuceniu urządzeń elektrycznych na wysypiska śmieci niebezpieczne substancje mogą wyciekać do wód gruntowych i dostawać się do łańcucha pokarmowego, zagrażając zdrowiu ludziemu i dobremu samopoczuciu.



Symbol ten oznacza, że produktu nie należy wyrzucać razem z innymi odpadami domowymi w całej UE. W celu zapobieżenia ewentualnym szkodom dla środowiska lub zdrowia ludzkiego spowodowanym niekontrolowanym usuwaniem odpadów, urządzenie należy poddać wtórnemu przerobowi, co ma na celu zrównoważone ponowne wykorzystanie zasobów materiałowych. Zużyte urządzenie można zwrócić w ramach programów zwrotu i zbiórki odpadów lub skontaktować się ze sprzedawcą, u którego urządzenie zostało kupione. Może on przekazać urządzenie do bezpiecznego dla środowiska recyklingu.

R290: 3

INFORMACJE OGÓLNE

W celu uzyskania optymalnej wydajności osuszacza, należy zamknąć wszystkie okna.

Wydajność osuszacza zależy od temperatury i wilgotności w pomieszczeniu, w niższej temperaturze zostanie usunięte mniej wilgoci.

CECHY URZĄDZENIA

Bardzo duża zdolność do osuszania powietrza

Wykorzystując osiągnięcia techniki chłodniczej, osuszacz w dużym stopniu usuwa wilgoć z powietrza obniżając poziom wilgotności w pomieszczeniu i utrzymując środowisko wewnętrzne suche i przyjemne.

Lekka, przenośna konstrukcja

Konstrukcja osuszacza jest zwarta i lekka. Urządzenie jest wyposażone w kółka jezdne, dzięki czemu można je łatwo przemieszczać z jednego pomieszczenia do drugiego.

Praca w niskiej temperaturze z automatycznym odszranianiem

Jeśli urządzenie pracuje w temperaturze pokojowej w zakresie od 7°C do 12°C, wyłącza się ono co 30 minut, w celu usunięcia szronu. Jeśli urządzenie pracuje w temperaturze pokojowej w zakresie od 12°C do 20°C, wyłącza się ono co 45 minut, w celu usunięcia szronu.

Regulowany higrostat

Żądany poziom wilgotności można regulować higrostatem.

Programowane włączanie i wyłączanie

Urządzenie można zaprogramować na automatyczne włączanie i wyłączanie.

Cicha praca

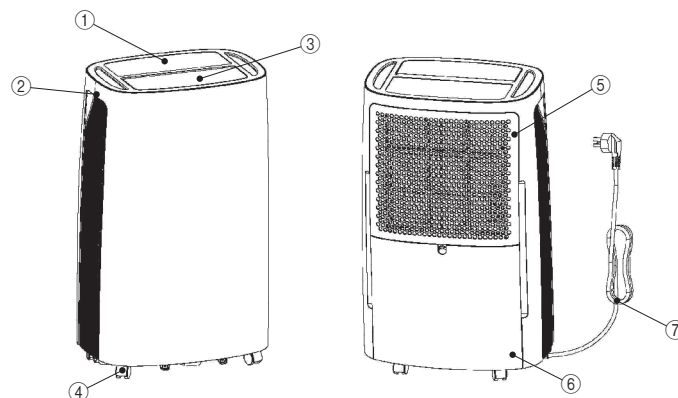
Osuszacz pracuje cicho.

Oszczędność energii

Urządzenie charakteryzuje się małym poborem mocy.

1. OPIS

CZĘŚCI



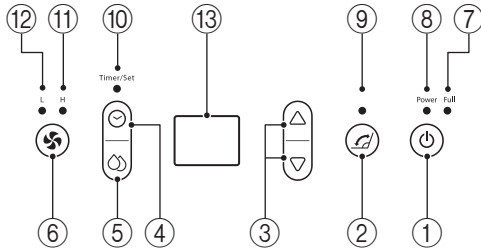
1. Pulpit sterowniczy
2. Uchwyt
3. Osłona przeciwwiatrowej
4. Kółko jezdne
5. Pojemnik na filtr
6. Zbiornik na wodę
7. Przewód zasilający

CZĘŚCI DODATKOWE



1. Wąż spustowy

PULPIT STEROWNICZY



- | | |
|---|--|
| 1. Przycisk zasilania | 2. Przycisk obrotu |
| 3. Przycisk regulacyjny | 4. Przycisk regulatora czasowego |
| 5. Przycisk ustawień | 6. Przycisk obrotów wentylatora |
| 7. Lampka napelnienia zbiornika | 8. Lampka zasilania |
| 9. Lampa obrotu | 10. Lampka regulatora czasowego/ustawień |
| 11. Lampka szybkich obrotów wentylatora | 12. Lampka wolnych obrotów wentylatora |
| 13. Wyświetlacz | |

2. OBSŁUGA URZĄDZENIA

2-cyfrowy wyświetlacz poziomu wilgotności i wskaźnik regulatora czasowego



Wyświetlacz pokazuje następujące wskazania:

1. W momencie włączenia urządzenia na wyświetlaczu pokaże się aktualny poziom wilgotności powietrza w pomieszczeniu.
2. Po ustawieniu wilgotności, wyświetlana jest wybrana wilgotność.
3. Po zaprogramowaniu czasu automatycznego włączenia i wyłączenia urządzenia, wyświetlana jest odpowiednio godzina włączenia lub wyłączenia.
4. Jeśli wilgotność w pomieszczeniu jest mniejsza niż 35%, wyświetlane jest „35”.
5. Jeśli wilgotność w pomieszczeniu jest większa niż 95%, wyświetlane jest „95”.

3. INSTRUKCJA OBSŁUGI

Po podłączeniu urządzenia do sieci, zaświeci się lampka kontrolna zasilania, bez względu na to, czy w danej chwili urządzenie pracuje, czy nie.

1. Włącz/Wyłącz

Naciśnij, aby uruchomić urządzenie, gdy urządzenie jest zatrzymane; lub naciśnij aby wyłączyć, gdy urządzenie działa.

2. Ustawienie wilgotności

Naciśnij przycisk aby przejść do stanu ustawienia wilgotności, a następnie naciśnij lub , aby wyregulować wilgotność od 40% do 80%, każde ustawienie wynosi 5%, dioda LED miga podczas regulacji. Przeszaj naciśnięcie przez 5 sekund, nastąpi powrót do normalnego wyświetlania. Domyślna wartość wilgotności wynosi 40%.

3. Ustawianie prędkości wentylatora

Naciśnij aby ustawić prędkość wentylatora na wysoką lub niską, a odpowiednie światło prędkości wentylatora zaświeci się.

4. Ustawienie obrotu

Po uruchomieniu maszyny naciśnij aby uruchomić lub zatrzymać ruch skrzydełka wylotu powietrza.

5. Ustawienie czasu

Naciśnij aby przejść do stanu ustawienia czasu rozruchu, gdy urządzenie jest zatrzymane, a następnie dioda LED wyświetli czas, możesz naciśnąć przycisk lub , aby ustawić automatyczny czas uruchamiania od 1 do 24 godzin. Naciśnij aby przejść do stanu ustawienia czasu wyłączenia, gdy urządzenie pracuje, wtedy dioda LED wyświetli czas, możesz naciśnąć przycisk lub , aby ustawić czas automatycznego wyłączenia od 1 do 24 godzin. Zaprogramowany czas pozostaje niezmienny, jeśli maszyna przestanie działać z powodu napełnienia wodą lub podczas odszraniania. Po włączeniu lub wyłączeniu przez użyt-

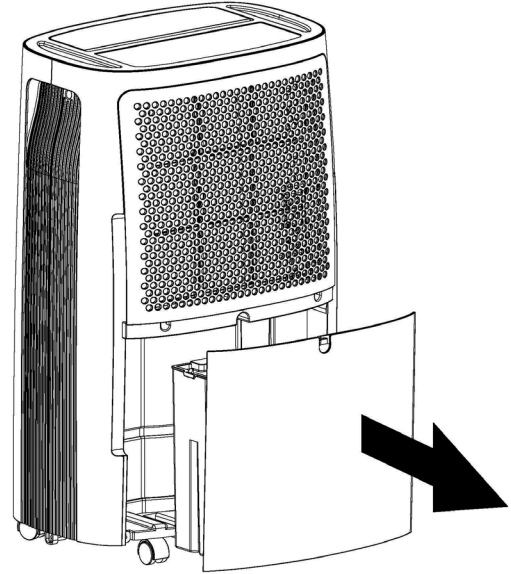
kownika urządzenie może utracić funkcję pomiaru czasu.

4. SPUSZCZANIE ZGROMADZONEJ WODY

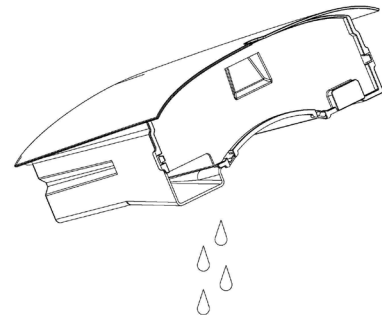
Po całkowitym napełnieniu się zbiornika, zaświeci się lampka sygnalizacyjna napełnienia zbiornika wodą, urządzenie zostanie zatrzymane automatycznie i rozlegnie się 15-krotny dźwięk alarmujący użytkownika o konieczności opróżnienia zbiornika.

5. OPRÓŻNIANIE ZBIORNIKA NA WODĘ

1. Obydwoma rękami lekko nacisnąć na boki zbiornika i delikatnie wyjąć zbiornik.

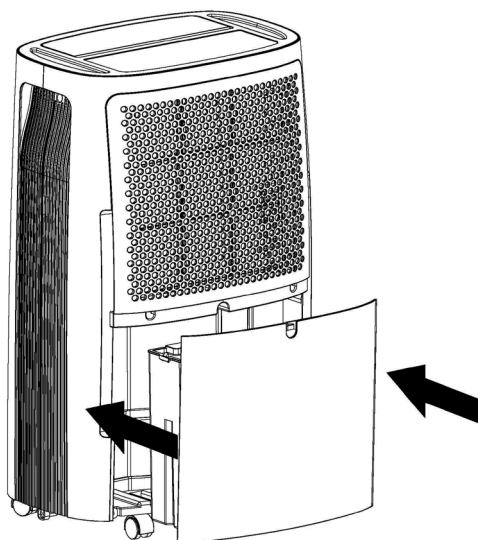


2. Wylać nagromadzoną wodę.



UWAGA

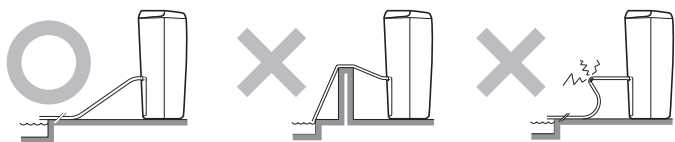
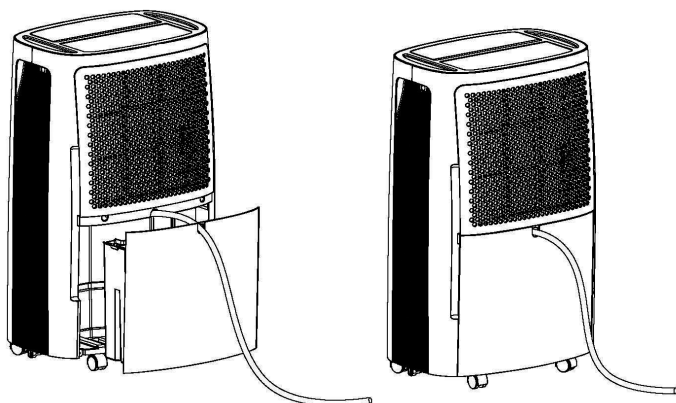
1. W przypadku zabrudzenia się zbiornika na wodę, należy wyczyścić go zimną lub letnią wodą. Nie należy stosować detergentów, ściereczek do szorowania, ściereczek do kurzu nasyconych chemikaliami, benzyny, benzenu, rozcieńczalników ani innych rozpuszczalników, gdyż mogą one porysować i uszkodzić zbiornik, powodując wyciek wody.
2. Wkładając zbiornik na wodę, należy go mocno wcisnąć na miejsce obydwoma rękami. Jeśli zbiornik nie zostanie ustawiony w prawidłowym położeniu, zadziała czujnik maksymalnego poziomu wody i osuszacz nie będzie działał.



6. CIĄGŁE ODPROWADZANIE WODY

Urządzenie wyposażone jest w króciec do ciągłego odprowadzania wody, dostosowany do plastikowego wężyka (o średnicy wewnętrznej 10 mm). Wążek spustowy należy włożyć do otworu spustowego (na płycie pośredniej) z boku zbiornika na wodę, zamocować i wpuścić do rury spustowej.

Wodę ze zbiornika na wodę można odprowadzać w sposób ciągły poprzez króciec do ciągłego odprowadzania wody.



7. KONSERWACJA

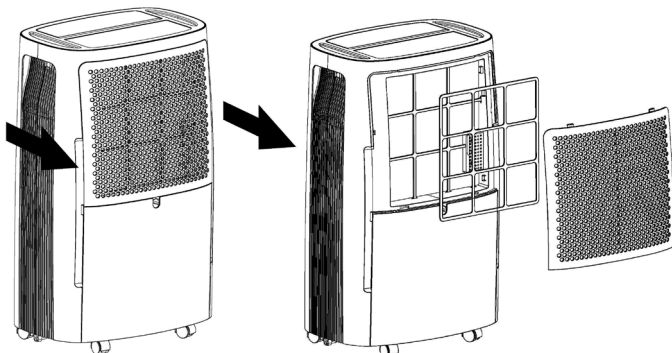
Czyszczenie osuszacza

Czyszczenie obudowy

Obudowę wycierać miękką, wilgotną szmatką.

Czyszczenie filtra powietrza

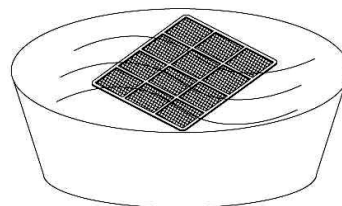
1. Otworzyć kratkę wlotową, a następnie wyjąć filtr powietrza.



2. Wyczyścić filtr powietrza

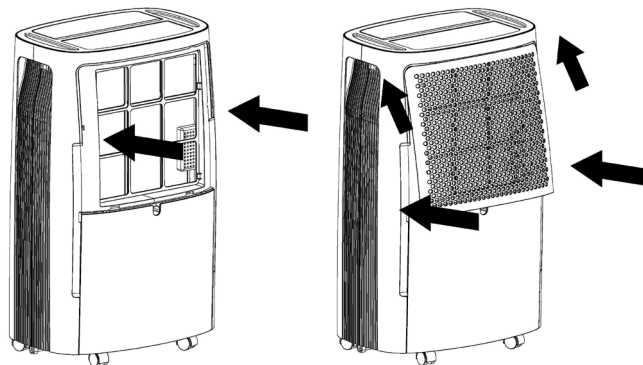
Delikatnie przesuwając ssawkę odkurzacza po powierzchni filtra

powietrza, żeby usunąć brud. Jeśli filtr powietrza jest wyjątkowo brudny, należy wymyć go ciepłą wodą i łagodnym środkiem czyszczącym oraz starannie wysuszyć przed ponownym włożeniem do urządzenia.



3. Zamocować filtr powietrza.

Włożyć delikatnie filtr do urządzenia i włożyć na miejsce kratkę wlotową.



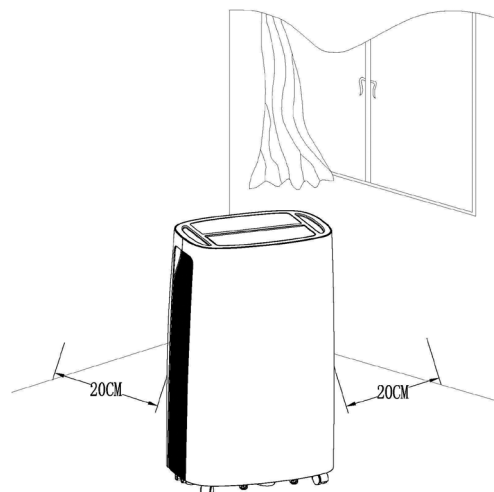
Przechowywanie osuszacza

Jeśli urządzenie nie jest używane przez dłuższy czas, należy je właściwie przechowywać. W tym celu należy:

1. Wylać pozostałości wody ze zbiornika na wodę.
2. Zwinąć przewód zasilający i umieścić go w zbiorniku na wodę.
3. Wyczyścić filtr powietrza.
4. Umieścić urządzenie w chłodnym i suchym miejscu.

Odstępy

Podczas pracy urządzenia należy zachować minimalne odstępy wokół osuszacza, pokazane na rysunku poniżej.



8. WYKRYWANIE I USUWANIE USTEREK

W razie wystąpienia którejs z usterek wymienionych w poniższej tabeli prosimy najpierw spróbować usunąć ją samodzielnie, a dopiero w razie niepowodzenia, skontaktować się z działem obsługi klienta.

Problem	Możliwa przyczyna	Rozwiązanie
Urządzenie nie działa.	Czy przewód zasilający nie został odłączony?	Podłączyć przewód zasilający do gniazda sieciowego.
	Czy lampka kontrolna napełnienia zbiornika mruga? (Zbiornik jest pełny lub znajduje się w niewłaściwym położeniu.)	Wylać wodę ze zbiornika, a następnie ustawić zbiornik we właściwym położeniu.
	Czy temperatura w pomieszczeniu utrzymuje się powyżej 35°C lub poniżej 7°C?	Włączyło się urządzenie zabezpieczające i osuszacza nie można uruchomić.
Funkcja osuszania nie działa.	Czy filtr powietrza jest zapchany?	Oczyszczyć filtr powietrza według punktu „Czyszczenie osuszacza”.
	Czy kanał wlotowy lub wylotowy powietrza jest zablokowany?	Usunąć blokadę z kanału wlotowego lub wylotowego powietrza.
Powietrze nie jest usuwane.	Czy filtr powietrza jest zapchany?	Oczyszczyć filtr powietrza według punktu „Czyszczenie osuszacza”.
Urządzenie głośno pracuje.	Czy urządzenie jest przechylone lub stoi niestabilnie?	Przesunąć urządzenie w miejsce zapewniające stabilność.
	Czy filtr powietrza jest zapchany?	Oczyszczyć filtr powietrza według punktu „Czyszczenie osuszacza”.

9. UWAGI DOTYCZĄCE PRAC KONSERWACYJNYCH

1. Kontrole pomieszczenia

Przed rozpoczęciem prac przy urządzeniach zawierających łatwopalne czynniki chłodnicze konieczne jest przeprowadzenie kontroli bezpieczeństwa, żeby zminimalizować ryzyko zapłonu. Przed rozpoczęciem prac przy naprawie układu chłodniczego należy przedsięwziąć następujące środki ostrożności.

Procedura robocza

Prace należy podejmować zgodnie z kontrolowaną procedurą, żeby zminimalizować ryzyko ułatniania się łatwopalnego gazu lub pary podczas wykonywania pracy.

2. Ogólny obszar prac

Cały personel konserwacyjny i inne osoby pracujące w okolicy należy poinstruować o charakterze wykonywanych prac. Należy unikać pracy w zamkniętych pomieszczeniach. Teren wokół obszaru prac należy wydzielić. Należy upewnić się, że w obszarze prac zostały zapewnione bezpieczne warunki poprzez kontrolę materiałów łatwopalnych.

3. Kontrola obecności czynnika chłodniczego

Obszar prac należy sprawdzić za pomocą odpowiedniego detektora czynnika chłodniczego przed i podczas pracy. Należy upewnić się, że technicy są świadomi potencjalnie łatwopalnej atmosfery. Należy upewnić się, że sprzęt używany do wykrywania wycieków jest odpowiedni do stosowania z łatwopalnym czynnikiem chłodniczym, tj. nie iskrzący, odpowiednio uszczelniony lub samoistnie bezpieczny.

4. Wyposażenie w gaśnicę

Jeżeli przy urządzeniu chłodniczym lub powiązanych z nim częściach ma zostać przeprowadzona jakakolwiek praca pożarowo

niebezpieczna, należy mieć pod ręką odpowiedni sprzęt gaśniczy. W pobliżu miejsca wykonywania pracy musi znajdować się gaśnica proszkowa lub śniegowa.

5. Brak źródeł zapłonu

Żadna osoba wykonująca prace przy obwodzie chłodniczym, polegające na odsłonięciu instalacji rurowej która zawiera lub zawierała łatwopalny czynnik chłodniczy, nie może używać żadnych źródeł zapłonu w sposób, który stwarzałby ryzyko pożaru lub wybuchu. Wszystkie możliwe źródła zapłonu, w tym miejsca palenia papierosów, powinny znajdować się wystarczająco daleko od miejsca instalacji, naprawy, usuwania i utylizacji, podczas których łatwopalny czynnik chłodniczy może zostać uwolniony do otoczenia. Przed rozpoczęciem pracy należy dokonać oględzin obszaru wokół urządzenia, żeby upewnić się, czy nie występuje zagrożenie pożarem substancji łatwopalnej ani ryzyko zapłonu. Należy wywiesić znaki zakazu palenia.

6. Wentylacja pomieszczenia

Przed dostaniem się do wnętrza urządzenia lub rozpoczęciem prac pożarowo niebezpiecznych należy upewnić się, że pomieszczenie jest otwarte lub że jest odpowiednio wentylowane. W trakcie wykonywania pracy należy kontynuować wentylację. Wentylacja powinna bezpiecznie rozproszyć uwolniony czynnik chłodniczy i najlepiej wydaląc go na zewnątrz do atmosfery.

7. Kontrole urządzeń chłodniczych

W przypadku wymiany części elektrycznych muszą one być zgodne z przeznaczeniem i właściwą specyfikacją. Przez cały czas należy przestrzegać wskazówek producenta dotyczących konserwacji i obsługi technicznej. W razie wątpliwości należy skontaktować się z działem technicznym producenta.

W instalacjach zawierających łatwopalne czynniki chłodnicze należy sprawdzić, czy:

- wielkość zładu (ilości płynu w układzie zamkniętym) zgadza się z wielkością pomieszczenia, w którym zainstalowane są części zawierające czynnik chłodniczy;
- urządzenia wentylacyjne i wyloty działają prawidłowo i nie są zatkane.

8. Kontrole urządzeń elektrycznych

Naprawa i konserwacja części elektrycznych powinna obejmować wstępne kontrole bezpieczeństwa i procedury kontroli części. Jeżeli występuje usterka, która mogłaby zagrozić bezpieczeństwu, wówczas do obwodu nie należy podłączać zasilania elektrycznego, dopóki usterka nie zostanie w sposób satysfakcjonujący usunięta. Jeżeli usterki nie można natychmiast naprawić, ale konieczne jest kontynuowanie pracy, należy zastosować odpowiednie rozwiązanie tymczasowe. Sytuację taką należy zgłosić właścicielowi sprzętu, żeby wszystkie strony były zawiadomione.

Wstępne kontrole bezpieczeństwa obejmują:

- sprawdzenie rozładowania kondensatorów: należy to zrobić w bezpieczny sposób, żeby uniknąć iskrzenia;
- sprawdzenie, czy podczas napełniania, odzyskiwania czynnika chłodniczego lub czyszczenia obiegu nie są odsłonięte żadne elementy elektryczne pod napięciem i przewody;
- sprawdzenie ciągłości uziemienia.

9. Naprawa uszczelnionych elementów

Podczas napraw uszczelnionych elementów i przed usunięciem uszczelnionych pokryw itp. należy odłączyć od naprawianego sprzętu wszystkie źródła zasilania elektrycznego.

Jeżeli podczas prac technicznych jest absolutnie konieczne doprowadzenie do urządzenia zasilania elektrycznego, wówczas w najbardziej krytycznym punkcie należy umieścić stale działający wykrywacz nieszczelności, który będzie ostrzegał o potencjalnie niebezpiecznej sytuacji.

Szczególne uwagi należy zwrócić na następujące kwestie, żeby podczas prac przy podzespołach elektrycznych nie wprowadzić zmian obudowy w sposób wpływający na poziom ochrony. Chodzi tutaj o uszkodzenie kabli, nadmierną liczbę połączeń, zaciski wykonane niezgodnie z oryginalną specyfikacją, uszkodzenie uszczelnień, nieprawidłowe dopasowanie dławików itd.

Należy upewnić się, że aparatura jest zamontowana bezpiecznie.

Należy upewnić się, czy stan uszczelnień lub materiałów uszczelniających nie uległ pogorszeniu do tego stopnia, że nie zapobiegają już one wnikaniiu łatwopalnych atmosfer. Części zamienne powinny być zgodne ze specyfikacjami producenta.

UWAGA: Zastosowanie uszczelnacza silikonowego może pogorszyć skuteczność niektórych rodzajów przyrządów do wykrywania nieszczelności. Samoistnie bezpiecz-

ne elementy nie muszą być izolowane przed rozpoczęciem pracy.

10. Naprawa elementów samoistnie bezpiecznych

Nie należy przykładać żadnych stałych obciążeń indukcyjnych lub pojemnościowych do obwodu bez upewnienia się, że nie zostanie przekroczone w nim dopuszczalne napięcie i prąd dozwolony dla używanego sprzętu.

Samoistnie bezpieczne elementy są jedynymi elementami, przy których można pracować, kiedy znajdują się pod napięciem w obecności łatwopalnej atmosfery. Aparatura badawcza musi mieć odpowiednią klasę.

Wadliwe części należy wymieniać tylko na części dopuszczone przez producenta. Inne części mogą spowodować zapłon czynnika chłodniczego w atmosferze na skutek wycieku.

11. Okablowanie

Należy sprawdzić, czy okablowanie nie będzie podlegało zużyciu, korozji, nadmiernemu naciskom, drganiom, działaniu ostrych krawędzi ani innym niekorzystnym wpływom środowiska. Kontrola powinna również uwzględniać skutki starzenia się lub ciągłych drgań pochodzących z takich źródeł jak sprężarki lub wentylatory.

12. Wykrywanie wycieków łatwopalnych czynników chłodniczych

W żadnym wypadku nie należy wykorzystywać potencjalnych źródeł zapłonu do wyszukiwania lub wykrywania wycieków czynnika chłodniczego. Nie należy używać palnika halogenkowego (lub jakiegokolwiek innego wykrywacza z otwartym płomieniem).

13. Metody wykrywania wycieków

Dopuszczalne są następujące metody wykrywania wycieków w obiegach zawierających łatwopalny czynnik chłodniczy.

Do wykrywania łatwopalnych czynników chłodniczych należy używać elektronicznych wykrywaczy szczelności, ale ich czułość może okazać się niewystarczająca lub mogą one wymagać ponownej kalibracji (wykrywacze szczelności powinny być kalibrowane w miejscach wolnych od czynników chłodniczych.) Należy upewnić się, że wykrywacz szczelności nie jest potencjalnym źródłem zapłonu i jest odpowiedni dla stosowanego czynnika chłodniczego.

Płyny do wykrywania szczelności nadają się do stosowania z większością czynników chłodniczych, ale należy unikać stosowania detergentów zawierających chlor, ponieważ chlor może reagować z czynnikiem chłodniczym i powodować korozję rur miedzianych.

W przypadku podejrzenia wycieku wszystkie otwarte płomienie należy usunąć/ zgasić.

W przypadku stwierdzenia w obiegu chłodniczym szczelności, która wymaga lutowania, z obiegu należy odzyskać cały czynnik chłodniczy. Następnie obieg należy przedmuchać azotem beztlenowym (OFN) zarówno przed lutowaniem, jak i podczas lutowania.

14. Usuwanie czynnika chłodniczego

W razie konieczności otwarcia obiegu chłodniczego w celu dokonania naprawy lub w jakimkolwiek innym celu należy stosować konwencjonalne procedury. Ważne jest jednak przestrzeganie zasad najlepszej praktyki, ponieważ w grę wchodzi łatwość. Należy postępować według następującej procedury:

Usunąć czynnik chłodniczy;

Przedmuchać obieg gazem obojętnym;

Wypuścić gaz obojętny;

Przedmuchać obieg ponownie gazem obojętnym;

Otworzyć obieg przez cięcie lub lutowanie.

Czynnik chłodniczy należy odzyskać do odpowiednich butli odzyskowych. Obieg należy „przepłukać” azotem beztlenowym, żeby urządzenie było bezpieczne. Proces ten może wymagać powtórzenia kilka razy. Do tego celu nie należy używać sprężonego powietrza ani tlenu.

Próżnia w obiegu zastępowana jest azotem beztlenowym. Napełnianie należy kontynuować aż do osiągnięcia ciśnienia roboczego, następnie odpowietrzyć obieg do atmosfery, a na końcu ponownie doprowadzić do próżni. Proces ten należy powtarzać aż do całkowitego usunięcia czynnika chłodniczego z obiegu. Po ostatnim napełnieniu azotem beztlenowym, obieg należy odpowietrzyć do ciśnienia atmosferycznego, w celu umożliwienia pracy.

Powyższa operacja jest absolutnie niezbędna, jeśli rury mają być lutowane. Należy upewnić się, że wylot pompy próżniowej nie znajduje się w pobliżu źródeł zapłonu i że jest dostępna wentylacja.

15. Procedury napełniania czynnikiem chłodniczym

Oprócz konwencjonalnych procedur napełniania należy przestrzegać następujących zaleceń.

- Należy upewnić się, że podczas użytkowania urządzeń do napełniania nie dojdzie do zanieczyszczenia różnych czynników chłodniczych. Węże lub przewody powinny być jak najkrótsze, żeby zminimalizować ilość zawartego w nich czynnika chłodniczego.

- Butle należy utrzymywać w pozycji pionowej.

- Należy upewnić się, że obieg chłodniczy jest uziemiony przed napełnieniem go czynnikiem chłodniczym.

- Oznakować obieg po zakończeniu napełniania (jeśli jeszcze nie jest oznakowany).

- Należy zachować szczególną ostrożność, żeby nie przepelnić obiegu chłodniczego.

Przed ponownym napełnieniem obiegu należy przeprowadzić próbę ciśnieniową za pomocą azotu beztlenowego. Szczelność obiegu należy sprawdzić po zakończeniu napełniania, ale przed pierwszym uruchomieniem. Przed opuszczeniem terenu należy przeprowadzić ponowną próbę szczelności.

16. Wycofanie urządzenia z eksploatacji

Przed przeprowadzeniem poniższej procedury ważne jest pełne zaznajomienie się technika z urządzeniem i wszystkimi szczegółami. W bezpiecznym odzyskiwaniu wszystkich czynników chłodniczych zaleca się postępowanie zgodne z zasadami dobrej praktyki. Przed wykonaniem pracy należy pobrać próbkę oleju i czynnika chłodniczego na wypadek, gdyby przed ponownym użyciem odzyskanego czynnika chłodniczego wymagana była analiza. Ważna jest dostępność zasilania elektrycznego przed rozpoczęciem pracy.

Należy zapoznać się z urządzeniem i jego obsługą.

a) Odłączyć urządzenie od zasilania elektrycznego.

b) Przed przystąpieniem do pracy należy upewnić się, czy: dostępne są mechaniczne urządzenia do przenoszenia butli z czynnikiem chłodniczym, jeśli były naprawiane; dostępne są i używane prawidłowo wszystkie środki ochrony indywidualnej; proces odzyskiwania czynnika chłodniczego jest zawsze nadzorowany przez kompetentną osobę; sprzęt do odzyskiwania i butle są zgodne z odpowiednimi normami.

c) Wypompować czynnik chłodniczy z układu, jeśli jest to możliwe.

d) Jeśli wytworzenie próżni nie jest możliwe, wykonać kolektor, żeby czynnik chłodniczy mógł zostać usunięty z różnych części układu.

e) Upewnić się, że butla znajduje się na wadze przed odzyskaniem czynnika chłodniczego.

f) Uruchomić urządzenie do odzyskiwania i postępować zgodnie z instrukcją producenta.

g) Nie przepelniać butli (nie więcej niż 80% objętości zładu).

h) Nie przekraczać maksymalnego ciśnienia roboczego butli, nawet chwilowo.

i) Po prawidłowym napełnieniu butli i zakończeniu procesu należy upewnić się, że butle i sprzęt zostały niezwłocznie usunięte z miejsca instalacji, a wszystkie zawory odcinające na urządzeniu zostały zamknięte.

j) Odzyskanym czynnikiem chłodniczym nie wolno jest napełniać innego układu chłodniczego, jeśli czynnik chłodniczy nie zostanie oczyszczony i sprawdzony.

17. Znakowanie

Urządzenie należy oznakować informacją, że zostało wycofane z eksploatacji i opróżnione z czynnika chłodniczego. Etykieta powinna być opatrzona datą i podpisana. Na urządzeniu powinny znajdować się etykiety informujące, że urządzenie zawiera łatwopalny czynnik chłodniczy.

18. Odzyskiwanie czynnika chłodniczego

Podczas usuwania czynnika chłodniczego z układu w celu przeprowadzenia konserwacji lub wycofania z eksploatacji zaleca się przestrzeganie zasad dobrej praktyki bezpiecznego usuwania czynników chłodniczych.

Podczas przenoszenia czynnika chłodniczego do butli należy się upewnić, że butle użyte do odzysku czynnika chłodniczego są odpowiednie. Należy upewnić się, że dostępna liczba butli jest prawidłowa do pomieszczenia całej objętości zładu. Wszystkie stosowane butle są przeznaczone dla odzyskanego czynnika chłodniczego i odpowiednio oznakowane (tj. specjalne butle do odzyskiwania czynnika chłodniczego). Butle muszą być wyposażone w nadciśnieniowy zawór upustowy i powiązane zawory odcinające w dobrym stanie technicznym. Puste butle do

odzysku czynnika chłodniczego są opróżniane i, jeśli jest to możliwe, chłodzone przed napełnieniem.

Sprzęt do odzyskiwania czynnika chłodniczego musi być w dobrym stanie technicznym z dołączonym zestawem instrukcji obsługi sprzętu i powinien być odpowiedni do odzyskiwania łatwopalnych czynników chłodniczych.

Ponadto powinien być dostępny zestaw skalibrowanych wag w dobrym stanie technicznym. Węże powinny być kompletne z nieprzeciekającymi złączami rozłączalnymi i w dobrym stanie. Przed użyciem urządzenia do odzyskiwania należy sprawdzić, czy jest ono w dobrym stanie technicznym, było właściwie konserwowane i czy wszystkie powiązane elementy elektryczne są uszczelnione, żeby zapobiec zapłonowi w przypadku uwolnienia czynnika chłodniczego. W razie wątpliwości należy skonsultować się z producentem.

Odzyskany czynnik chłodniczy powinien zostać zwrócony dostawcy czynnika chłodniczego we właściwej butli i powinien zostać wystawiony odpowiedni dokument przekazania odpadów. Nie należy mieszać czynników chłodniczych w pojemnikach do odzysku, a zwłaszcza w butlach.

Jeśli mają zostać usunięte sprężarki lub oleje sprężarkowe, należy upewnić się, że zostały one opróżnione do dopuszczalnego poziomu, żeby łatwopalny czynnik chłodniczy nie pozostał w środku smarnym. Proces opróżniania należy przeprowadzić przed zwrotem sprężarki do dostawcy. W celu przyspieszenia tego procesu należy zastosować wyłącznie ogrzewanie elektryczne korpusu sprężarki. Po spuszczeniu oleju z układu proces należy przeprowadzić bezpiecznie.

19. Transport urządzeń zawierających łatwopalne czynniki chłodnicze

Określony przez lokalne przepisy.

20. Odzysk łatwopalnych czynników chłodniczych ze zużytych urządzeń

Patrz przepisy krajowe.

21. Opakowanie do przechowywania (niesprzedanego) urządzenia

Zabezpieczenia opakowania powinny być tak skonstruowane, żeby mechaniczne uszkodzenie urządzenia wewnątrz opakowania nie powodowało wycieku czynnika chłodniczego.

Maksymalna liczba urządzeń, które mogą być przechowywane razem, zostanie określona przez lokalne przepisy.

10. DANE TECHNICZNE

Model	TD-C 1416	TD-C 1420
Wydajność	16 l/d (temp. 30°C, wilgotność wzgl. 80%)	20 l/d (temp. 30°C, wilgotność wzgl. 80%)
Zasilanie	220-240 V ~ / 50 Hz	220-240 V ~ / 50 Hz
Pobór mocy	260 W	325 W
Zakres temperatury pracy	7°C - 35°C	7°C - 35°C
Czynnik chłodniczy	R290 (75g)	R290 (90g)
GWP	3	3
Waga	12 kg	14 kg
Ciśnienie (wysokie / niskie)	1,8 / 0,6 MPa	1,8 / 0,6 MPa
Ciśnienie (maks.)	3,00 MPa	3,00 MPa
Stopień ochrony	IPX0	IPX0

Wydajność osuszania jest oceniana w temperaturze pokojowej **30°C przy wilgotności względnej 80%**.

Jeśli po powyższej ocenie zostaną poprawione parametry, nowe parametry zostaną podane na tabliczce znamionowej produktu.

Temperatura robocza mieści się w zakresie od 7°C do 35°C, a maksymalna wilgotność względna wynosi 80%. Jeśli temperatura w pomieszczeniu wykracza poza powyższy zakres, urządzenie nie działa normalnie. Wartość GWP czynnika chłodniczego R290 wynosi 3.

OGRANICZONA GWARANCJA

Firma TOYOTOMI CO., LTD. ("TOYOTOMI") gwarantuje, że każdy sprzedawany przez nią produkt i wszystkie jego części są wolne od wad materiałowych i wykonawczych pod warunkiem normalnego używania i obsługi technicznej. Gwarancji udziela się na okres 24 (słownie: DWUDZIESTU CZTERECH) MIESIĘCY od daty dostawy pierwszemu właścicielowi kupującemu produkt w handlu detalicznym z zastrzeżeniem następujących warunków:

GWARANCJI PODLEGA: produkt lub wszelkie jego części, wadliwe pod względem materiałowym lub wykonawczym.

WYKLUCZENIA Z GWARANCJI:

Niniejsza gwarancja nie obejmuje żadnego uszkodzenia spowodowanego zaniedbaniem innych osób; błędem instalacji, eksploatacji lub konserwacji zgodnie z instrukcją (instrukcja obsługi i konserwacji dostarczana jest razem z każdym nowym urządzeniem); niewłaściwym użyciem, wypadkami, przeróbkami urządzenia, stosowaniem nie zatwierdzonych przez firmę TOYOTOMI lub nie znormalizowanych części i akcesoriów; wadliwego działania instalacji elektrycznej, tj. dużych narzutów mocy, zwarcia itd.; nieprawidłowej instalacji lub naprawy nie wykonanej przez punkt obsługi technicznej podany przez firmę TOYOTOMI.

GWARANCJA UDZIELANA JEST pierwszemu kupującemu urządzenie w handlu detalicznym.

OBOWIĄZKI FIRMY TOYOTOMI W RAMACH GWARANCJI: Firma TOYOTOMI bezpłatnie naprawi albo wymieni, według własnego uznania, wszystkie wadliwe części, które podlegają niniejszej ograniczonej gwarancji, po ich dostarczeniu do najbliższego upoważnionego przedstawiciela handlowego lub dystrybutora firmy TOYOTOMI.

OBOWIĄZKI KUPUJĄCEGO W RAMACH OBSŁUGI GWARANCYJNEJ: Kupujący musi dostarczyć wadliwy produkt lub wadliwą część upoważnionemu przedstawicielowi handlowemu lub dystrybutorowi firmy TOYOTOMI wraz niniejszą OGRANICZONĄ GWARANCJĄ. Jeśli obsługa taka jest niedostępna na miejscu, prosimy o skontaktowanie się z DZIAŁEM DS. KONTAKTÓW Z KLIENTEM w:

TOYOTOMI EUROPE SALES B.V.

E-MAIL: info@toyotomi.eu

INTERNET: www.toyotomi.eu

POWYŻSZE STANOWI CAŁOŚĆ ZOBOWIĄZAŃ I OBOWIĄZKÓW FIRMY TOYOTOMI DOTYCZĄCYCH JAKOŚCI DOSTARCZONEGO PRZEZ NIĄ PRODUKTU. FIRMA ŻRZEKA SIĘ WSZYSTKICH INNYCH GWARANCJI, WYRAŻNYCH LUB DOROZUMIANYCH, WŁĄCZAJĄC W TO GWARANCJE ZBYTU LUB PRZYDATNOŚCI PRODUKTU DO OKREŚLONEGO CELU. TOYOTOMI NIE PONOSI ODPOWIEDZIALNOŚCI ZA UTRATĘ WŁAŚCIWOŚCI UŻYTKOWYCH PRODUKTU, NIEDOGODNOŚCI, STRATY LUB INNE SZKODY BEZPOŚREDNIE LUB WTÓRNE, WYNIKAJĄCE Z UŻYWANIA LUB NIEMOŻNOŚCI UŻYWANIA PRODUKTU, LUB WYNIKAJĄCE Z WAD PRODUKTU, LUB DAJĄCE SIĘ IM PRZYPISAĆ.

Żaden inny podmiot oprócz firmy TOYOTOMI nie ma prawa do rozszerzania lub zmiany warunków niniejszej ograniczonej gwarancji

Niektóre kraje nie dopuszczają wykluczeń szkód przypadkowych lub wtórnych, lub ograniczeń czasu obowiązywania rękoma, tak więc powyższe wykluczenia lub ograniczenia mogą nie dotyczyć Państwa. Niniejsza ograniczona gwarancja nadaje użytkownikowi określone uprawnienia ustawowe, lecz mogą mu przysługiwać także inne prawa zależne od kraju.

Note:

Note:

TOYOTOMI CO., LTD.

5-17, MOMOZONO-CHO, MIZUHO-KU,
NAGOYA, 467-0855 JAPAN
<http://www.toyotomi.jp>

TOYOTOMI EUROPE SALES B.V.

HUYGENSWEG 10, 5466 AN VEGHEL NETHERLAND
Email: info@toyotomi.eu
<http://www.toyotomi.eu>

TOYOTOMI EUROPE SALES ITALY S.R.L.

VIA T. EDISON, 11
20875 BURAGO DI MOLGORA (MB) ITALY
Email: info@toyotomi.it
<http://www.toyotomi.it>

TOYOTOMI EUROPE SALES SPAIN S.A.

CALLE TRIGO, 9 BAJO 2, 28914 LEGANÉS (MADRID) SPAIN
Email: info@toyotomi.es
<http://www.toyotomi.es>